

PRODUCT INFORMATION PACKET



Model No: M1135040.00
Catalog No: M1135040.00
0.13 HP DC Gearmotor, 250 RPM, 90 V, 34 Frame, TENV
Right Angle Gearmotors



Regal and Leeson are trademarks of Regal Rexnord Corporation or one of its affiliated companies.
©2021 Regal Rexnord Corporation, All Rights Reserved. MC017097E





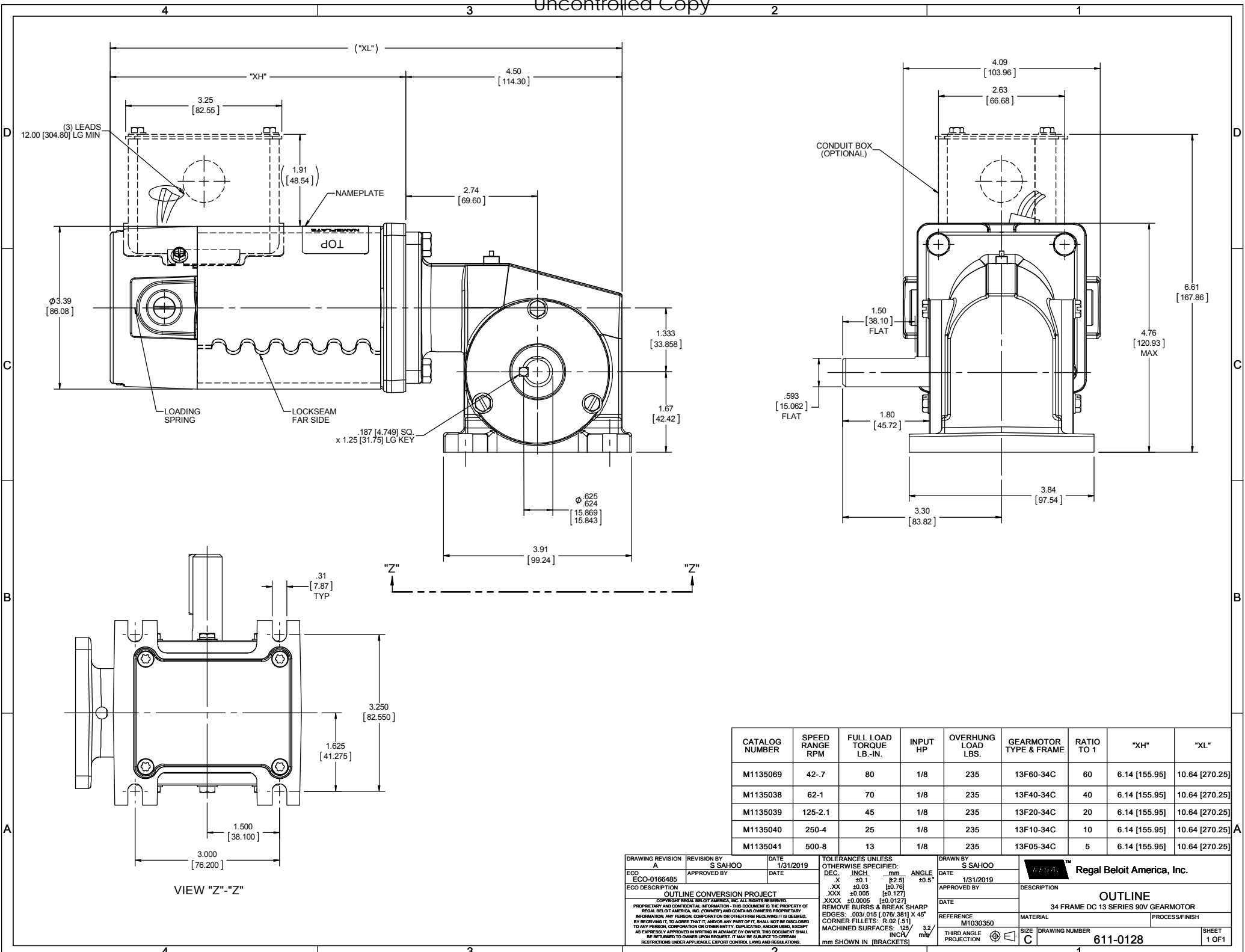
Nameplate Specifications

Output HP	0.13 Hp	Output KW	0.10 kW
Voltage	90 V	Current	1.4 A
Speed	250 rpm	Service Factor	1
Efficiency	35.4 %	Duty	Continuous
Insulation Class	H	Frame	34
Enclosure	Totally Enclosed Non Ventilated	Thermal Protection	No
Ambient Temperature	40 °C	Drive End Bearing Size	6201
Opp Drive End Bearing Size	608	UL	Recognized
CSA	Y	CE	Y

Technical Specifications

Rotation	Reversible	Mounting	Special
Shaft Type	Right Angle	Overall Length	10.64 in
Frame Length	3.81 in	Shaft Diameter	0.625 in
Shaft Extension	1.8 in	Torque	25 LB-IN
Outline Drawing	611-0128-M1135040	Connection Drawing	M100512401

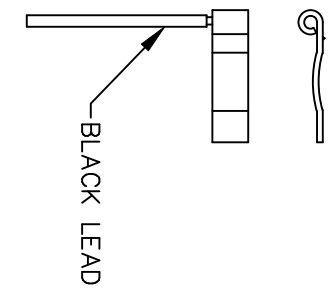
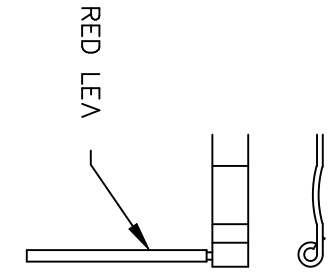
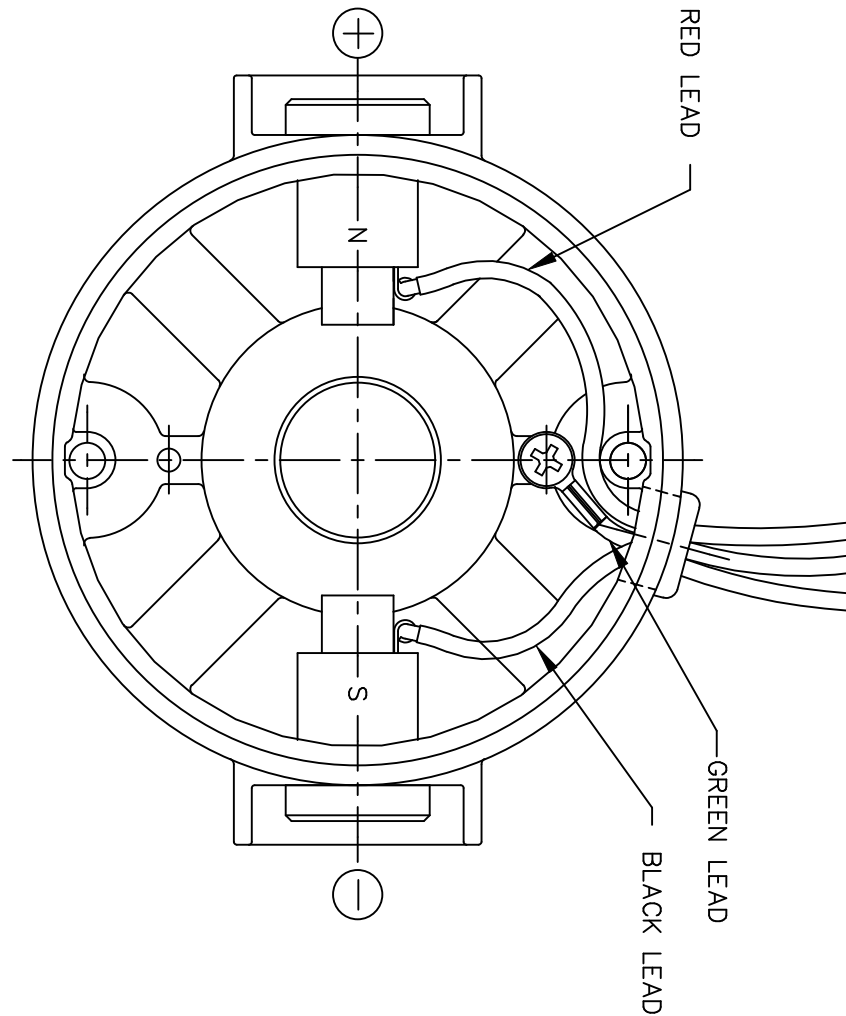
This is an uncontrolled document once printed or downloaded and is subject to change without notice. Date Created:10/07/2021




CATALOG NUMBER	SPEED RANGE RPM	FULL LOAD TORQUE LB.-IN.	INPUT HP	OVERHUNG LOAD LBS.	GEARMOTOR TYPE & FRAME	RATIO TO 1	"XH"	"XL"
M1135069	42-7	80	1/8	235	13F60-34C	60	6.14 [155.95]	10.64 [270.25]
M1135038	62-1	70	1/8	235	13F40-34C	40	6.14 [155.95]	10.64 [270.25]
M1135039	125-2.1	45	1/8	235	13F20-34C	20	6.14 [155.95]	10.64 [270.25]
M1135040	250-4	25	1/8	235	13F10-34C	10	6.14 [155.95]	10.64 [270.25]
M1135041	500-8	13	1/8	235	13F05-34C	5	6.14 [155.95]	10.64 [270.25]

DRAWING REVISION A	REVISION BY S SAHOO	DATE 1/31/2019	TOLERANCES UNLESS OTHERWISE SPECIFIED: DEC. INCH mm ANGLE .X ±0.1 [2.5] ±0.5° .XX ±0.03 [0.76] .XXX ±0.005 [0.127] .XXXX ±0.0005 [±0.0127] REMOVE BURRS & BREAK SHARP EDGES: .0031 [0.078] X 45° CORNER FILLETS: R.02 [.51] MACHINED SURFACES: .125 / 3.2 INCH/ mm SHOWN IN [BRACKETS]	DRAWN BY S SAHOO	<p>Regal Beloit America, Inc.</p>
ECO ECO-0166485	APPROVED BY	DATE	DATE 1/31/2019	APPROVED BY	
ECO DESCRIPTION OUTLINE CONVERSION PROJECT COPYRIGHT REGAL BELOIT AMERICA, INC. ALL RIGHTS RESERVED. PROPRIETARY AND CONFIDENTIAL INFORMATION. THIS DOCUMENT IS THE PROPERTY OF REGAL BELOIT AMERICA, INC. OWNERS AND CONTAINS OWNERS PROPRIETARY INFORMATION. ANY PERSON, CORPORATION OR OTHER FIRM RECEIVING IT IS DEEMED TO AGREE THAT IT, AND/OR ANY PART OF IT, SHALL NOT BE DISCLOSED TO ANY PERSON, CORPORATION OR OTHER ENTITY, DUPLICATED, AND/OR USED, EXCEPT AS EXPRESSLY APPROVED IN WRITING IN ADVANCE BY OWNER. THIS DOCUMENT SHALL BE RETURNED TO OWNER UPON REQUEST. IT MAY BE SUBJECT TO CERTAIN RESTRICTIONS UNDER APPLICABLE EXPORT CONTROL LAWS AND REGULATIONS.			DATE	DESCRIPTION OUTLINE 34 FRAME DC 13 SERIES 90V GEARMOTOR	
			REFERENCE M1030350	MATERIAL PROCESS/FINISH	
			THIRD ANGLE PROJECTION	SIZE C	DRAWING NUMBER 611-0128
					SHEET 1 OF 1

D.C. MOTORS



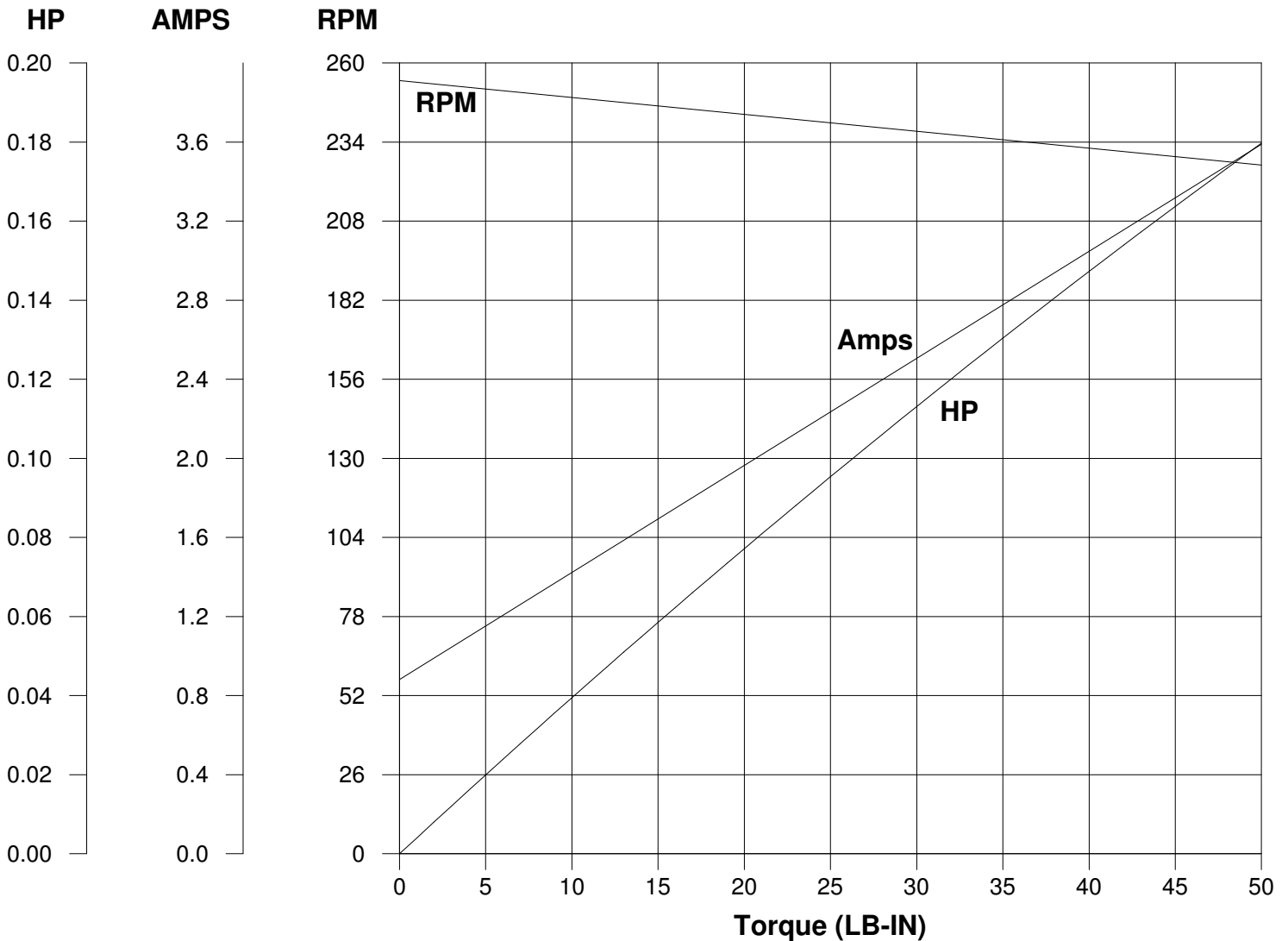
EXTERNAL CONNECTIONS FOR CW ROTATION
 VIEWING LEAD END OF MOTOR WITH RED LEAD
 POSITIVE AND BLACK LEAD NEGATIVE (-)
 FOR CCW ROTATION REVERSE POLARITY

07	CORRECTED "N" & "S", ECR 80000 (PER BC)	VS	8/14/02	BC	TOLERANCES UNLESS SPECIFIED			ELECTRIC MOTORS GEARMOTORS AND DRIVES	DRAWN	SPV 12/10/91
06	REMOVED GROUND HOLE	TMZ	3/16/95	DEC.	INCHES				CHK	DWF 5/20/92
05	REVERSE ROTATION WAS CW	SPV	6/3/94	.X	±.1		TITLE		APPD	
04	CHANGED ROTATION FROM CCW TO CW	MJS	3/9/93	.XX	±.01		CONNECTION DIAGRAM		SCALE	1=1
03	REVISED ROTATION NOTE	DWF	1/6/93	.XXX	±.005		MAT'L.		REF	
02	ADDED GREEN LEAD	DWF	8/1/92	.XXXX	±.0005		FINISH		FMF	M9131D2N22
NO.	REVISION	BY & DATE	CHK	ANG	±1/2"				PREV	
THIS DRAWING IN DESIGN AND DETAIL IS OUR PROPERTY AND MUST NOT BE USED EXCEPT IN CONNECTION WITH OUR WORK ALL RIGHTS OF DESIGN AND INVENTION ARE RESERVED THIS IS AN ELECTRONICALLY GENERATED DOCUMENT - DO NOT SCALE THIS PRINT				RFP	CAD FILE	M100512401	SIZE	DRAWING NO.	REV.	
				DIST			A	M1005124.01	07	

LEESON ELECTRIC CORPORATION

TYPICAL PERFORMANCE CURVE FOR DIRECT CURRENT PERMANENT MAGNET MOTOR

Model No. <u>CM34D25NZ8</u>	Catalog No. <u>M1135040.00</u>	
HP <u>0.125</u>	RPM <u>250</u>	DC Volts <u>90.0</u>
F.F. <u>1.38</u>	Encl <u>TENV</u>	Type <u>DN</u>
Max. Amb. <u>40.0 Deg C</u>	Insul. <u>H</u>	Frame <u>34</u>
		N.P. FLA <u>1.40</u>
		S.F. <u>1.00</u>
		Duty <u>Cont</u>



Ra 4.6000 Ohms
La 15.80 mHenrys
Ja 0.3220 LB-IN²
Ke 33.58 V/KRPM

Kt 2.839 LB-IN/AMP
Imax 21.5 AMPS Allowed
FL Torque 25.00 LB-IN
FL EFF 35.40 %

Winding W- MD342195-1 **Prepared by** V. Boehlen **Date** 11-21-2005