

PRODUCT INFORMATION PACKET



Model No: M1125074.00
Catalog No: M1125074.00
0.13 HP DC Gearmotor, 167 RPM, 90 V, 30 Frame, TENV
Parallel Shaft Gearmotors



Regal and Leeson are trademarks of Regal Rexnord Corporation or one of its affiliated companies.
©2021 Regal Rexnord Corporation, All Rights Reserved. MC017097E





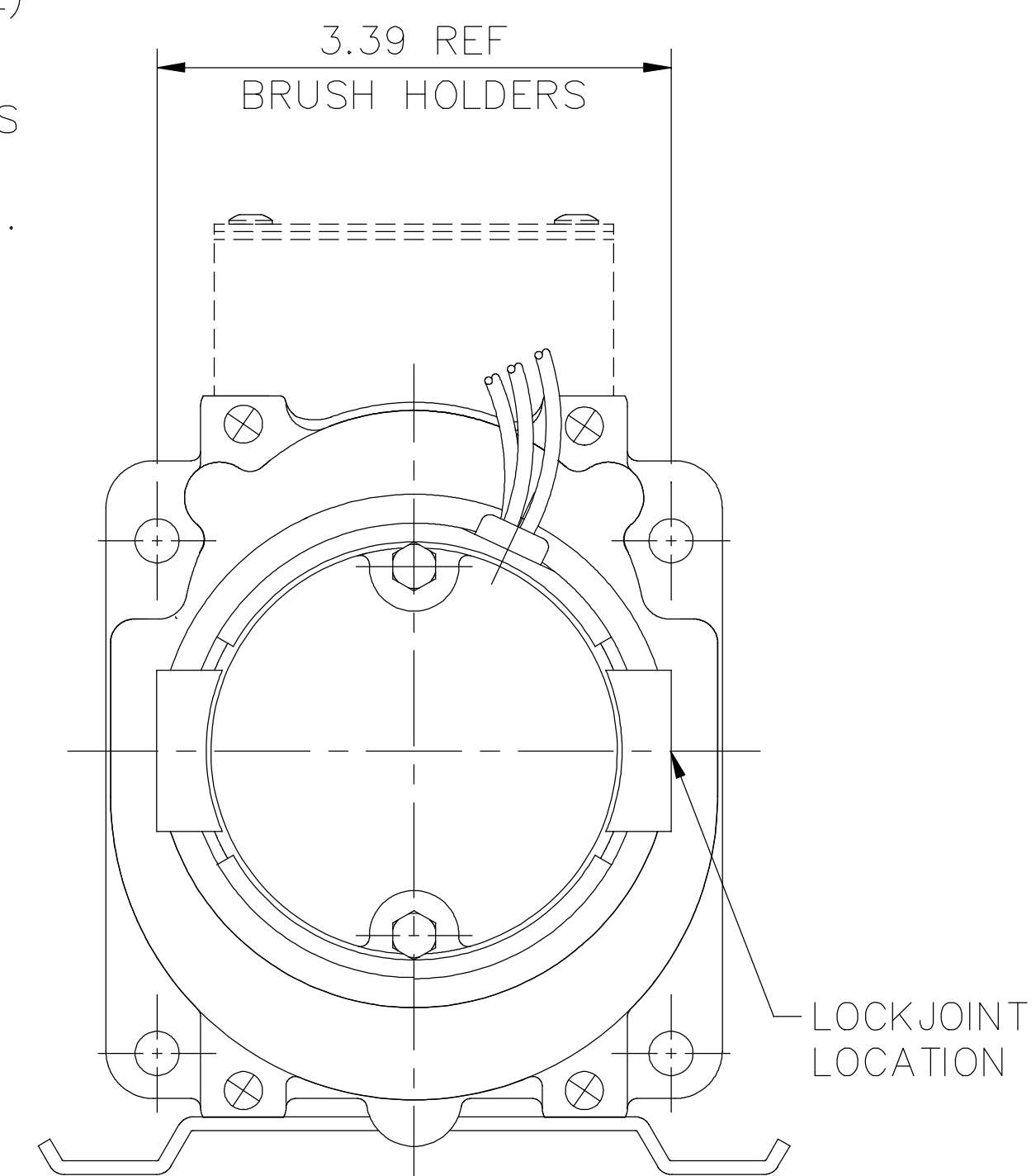
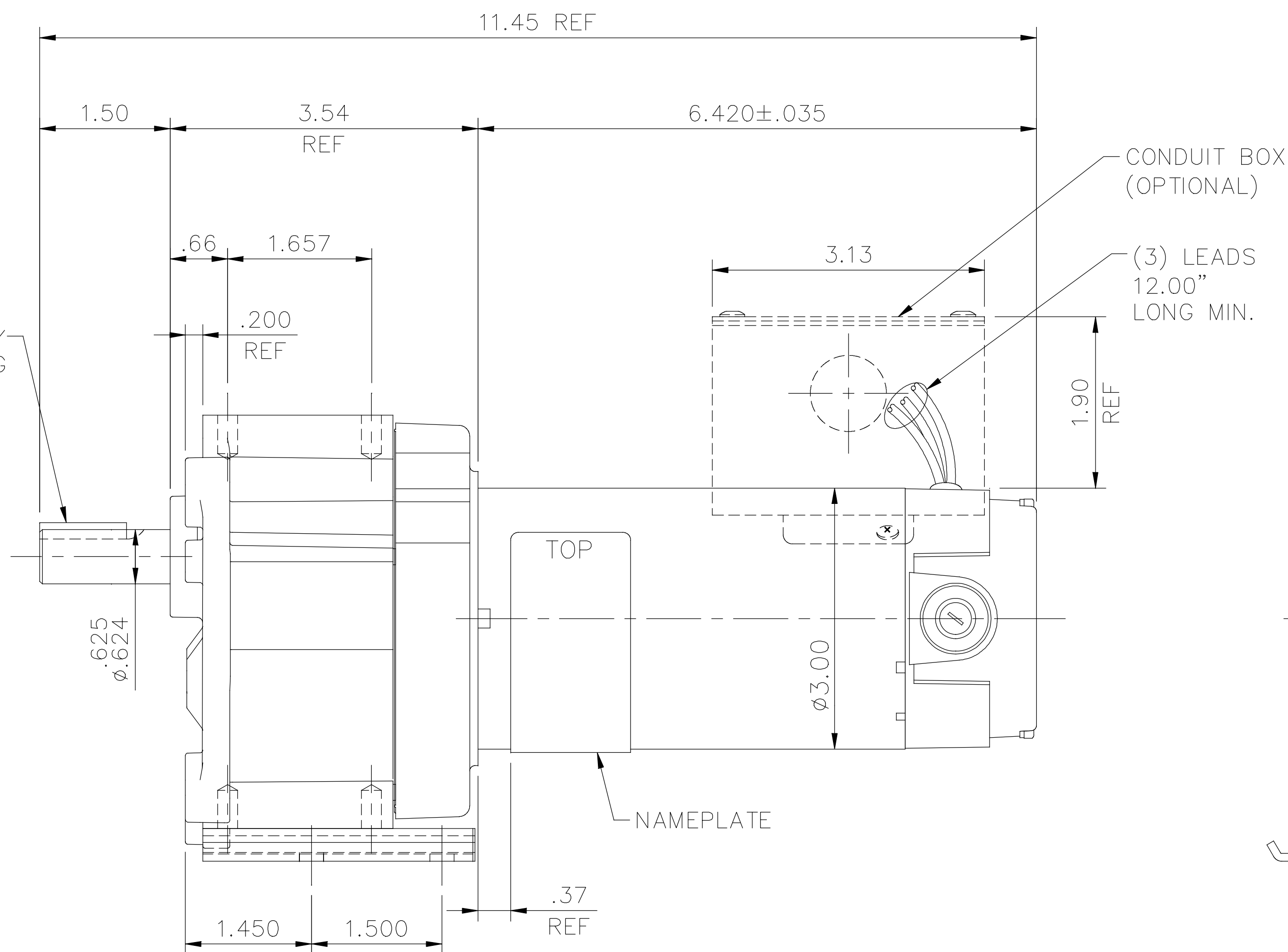
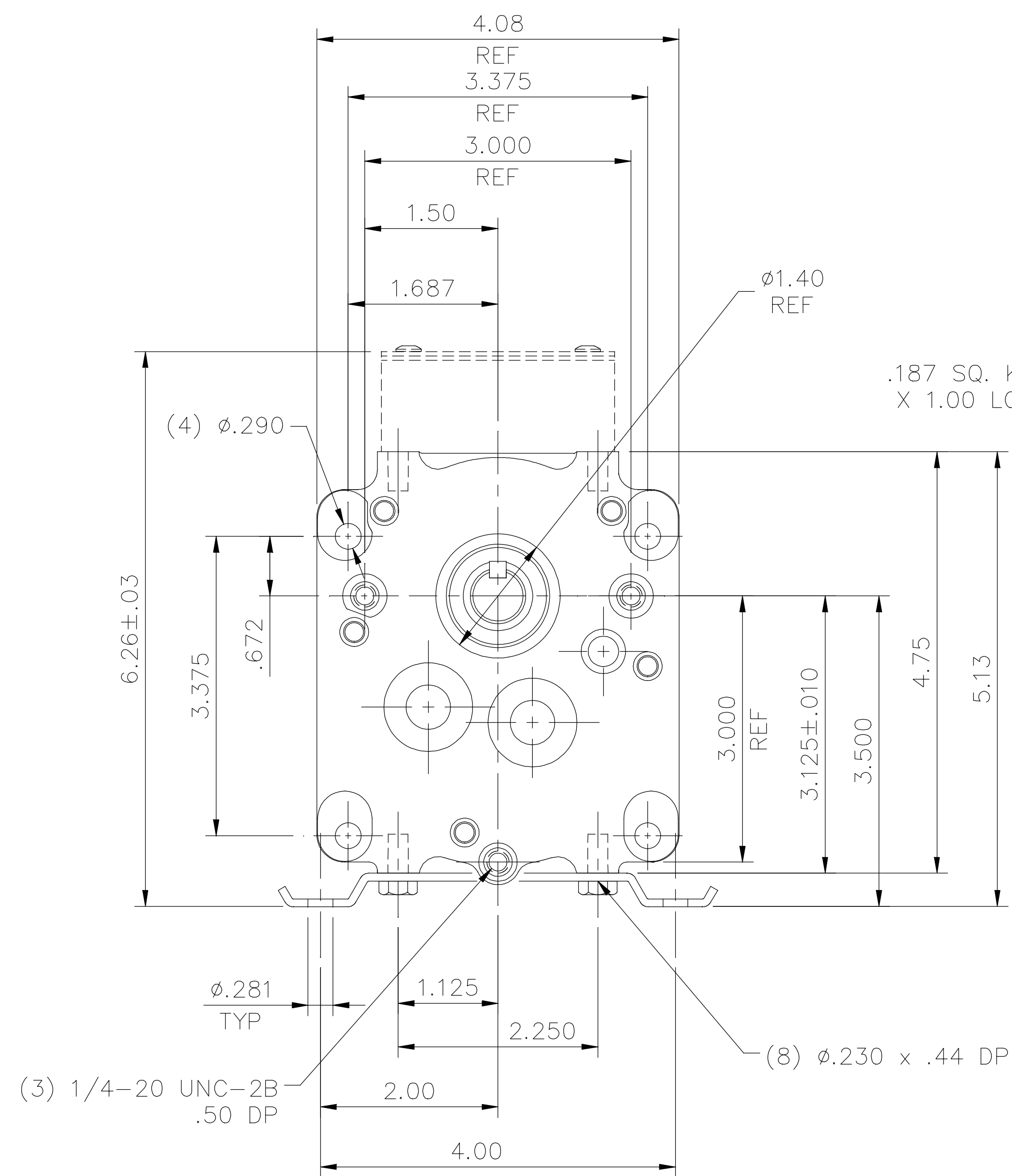
Nameplate Specifications

Output HP	0.13 Hp	Output KW	0.10 kW
Voltage	90 V	Current	1.3 A
Speed	167 rpm	Service Factor	1
Efficiency	70.7 %	Duty	Continuous
Insulation Class	F	Frame	30
Enclosure	Totally Enclosed Non Ventilated	Thermal Protection	No
Ambient Temperature	40 °C	Drive End Bearing Size	6000
Opp Drive End Bearing Size	6000	UL	Recognized
CSA	Y	CE	Y

Technical Specifications

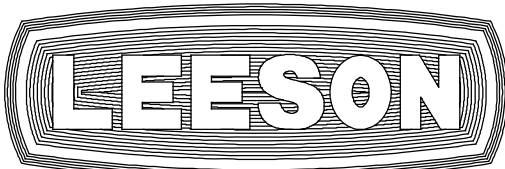
Rotation	Reversible	Mounting	Special
Shaft Type	Parallel	Overall Length	11.45 in
Frame Length	4.91 in	Shaft Diameter	0.625 in
Shaft Extension	1.5 in	Torque	43 LB-IN
Connection Drawing	M100530201	Outline Drawing	M1030961-M1125074

This is an uncontrolled document once printed or downloaded and is subject to change without notice. Date Created:10/07/2021



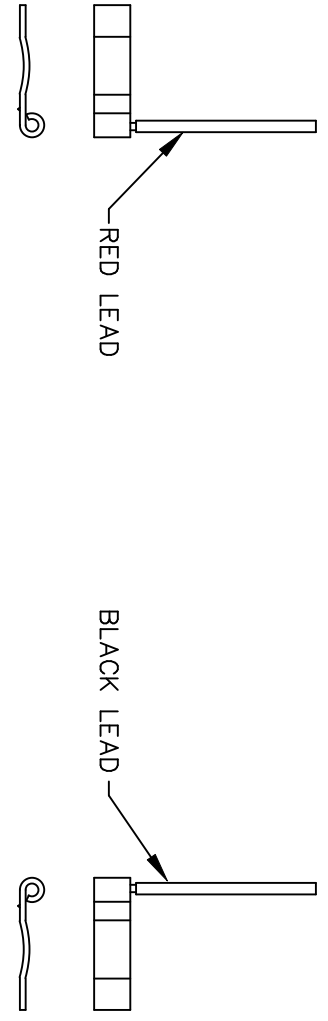
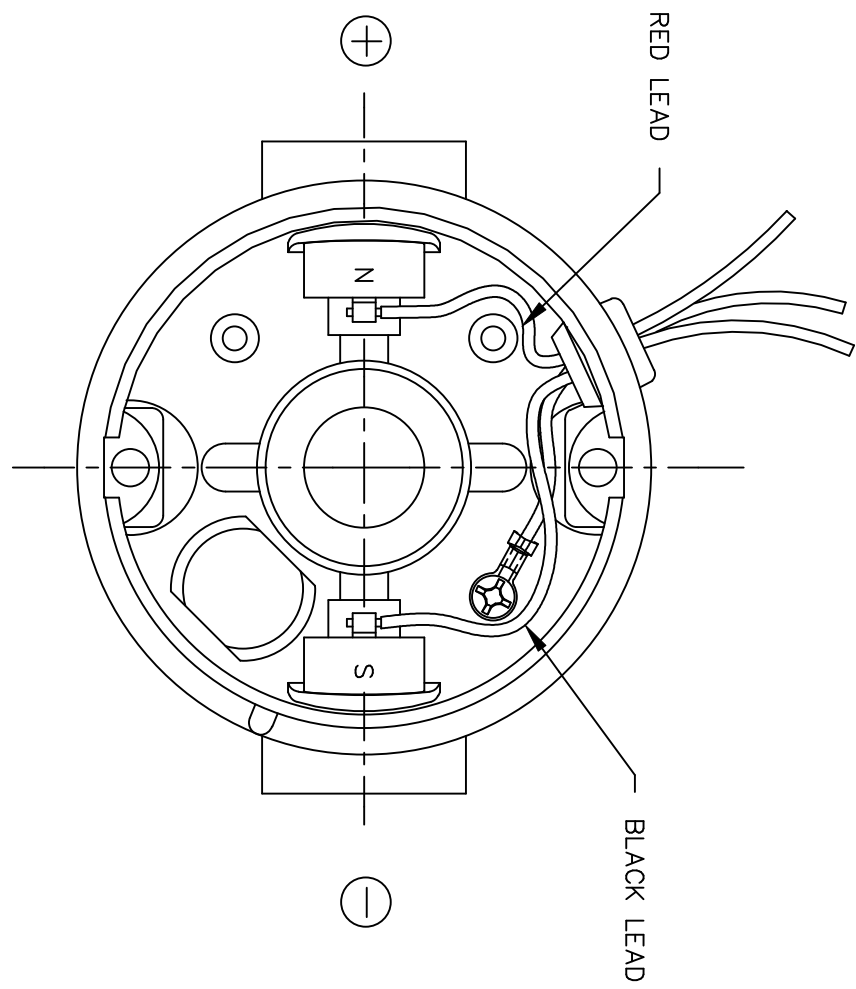
CATALOG No.	VOLTS	HP	RATIO	TORQUE IN-LB	RPM
M1125072.00	90	1/8	29:1	113	61
M1125069.00	90	1/8	76:1	280	24
M1125070.00	90	1/8	58:1	220	31
M1125073.00	90	1/8	19:1	77	94
M1125039.00	180	1/8	35:1	130	51
M1125071.00	90	1/8	35:1	130	51
M1125074.00	90	1/8	11:1	43	167
M1125038.00	180	1/8	58:1	220	31
M1125040.00	180	1/8	19:1	77	94
M1125041.00	180	1/8	10:1	43	170

ITEM No.	ITEM REV
-00	0


NO.		REVISION	BY & DATE	CHK	ANG	TOLERANCES UNLESS SPECIFIED	 ELECTRIC MOTORS GEARMOTORS AND DRIVES	DRAWN RWS 3/18/05			
						DEC.		INCHES	CHK	RWB 3/18/05	
D		UPDATED 1.40 HUB DIM TO MATCH GBOX, ECO-0128172	IPG 7/26/17			.X	±.1	APPD			
00		RELEASED COMM CONSOLIDATION PROJECT	RWS 4/20/05	RPB	.XXX	±.03	TITLE	SCALE	1=2		
						.XXX	OUTLINE	REF	M1030940.00		
						.XXXX	30 FRAME DC- P300 GEARBOX	FMF	M1125074.00		
						±1/2'	MAT'L.	PREV			
				RFP			FINISH				
				DIST			CAD FILE	M1030961	SIZE	DRAWING NO.	REV.
								B	M1030961	D	

THIS DRAWING IN DESIGN AND DETAIL IS OUR PROPERTY AND MUST NOT BE USED EXCEPT IN CONNECTION WITH OUR WORK ALL RIGHTS OF DESIGN AND INVENTION ARE RESERVED THIS IS AN ELECTRONICALLY GENERATED DOCUMENT - DO NOT SCALE THIS PRINT

D.C. MOTORS



EXTERNAL CONNECTIONS FOR CW ROTATION
 VIEWING LEAD END OF MOTOR WITH RED LEAD
 POSITIVE (+) AND BLACK LEAD NEGATIVE (-)
 FOR CCW ROTATION REVERSE POLARITY

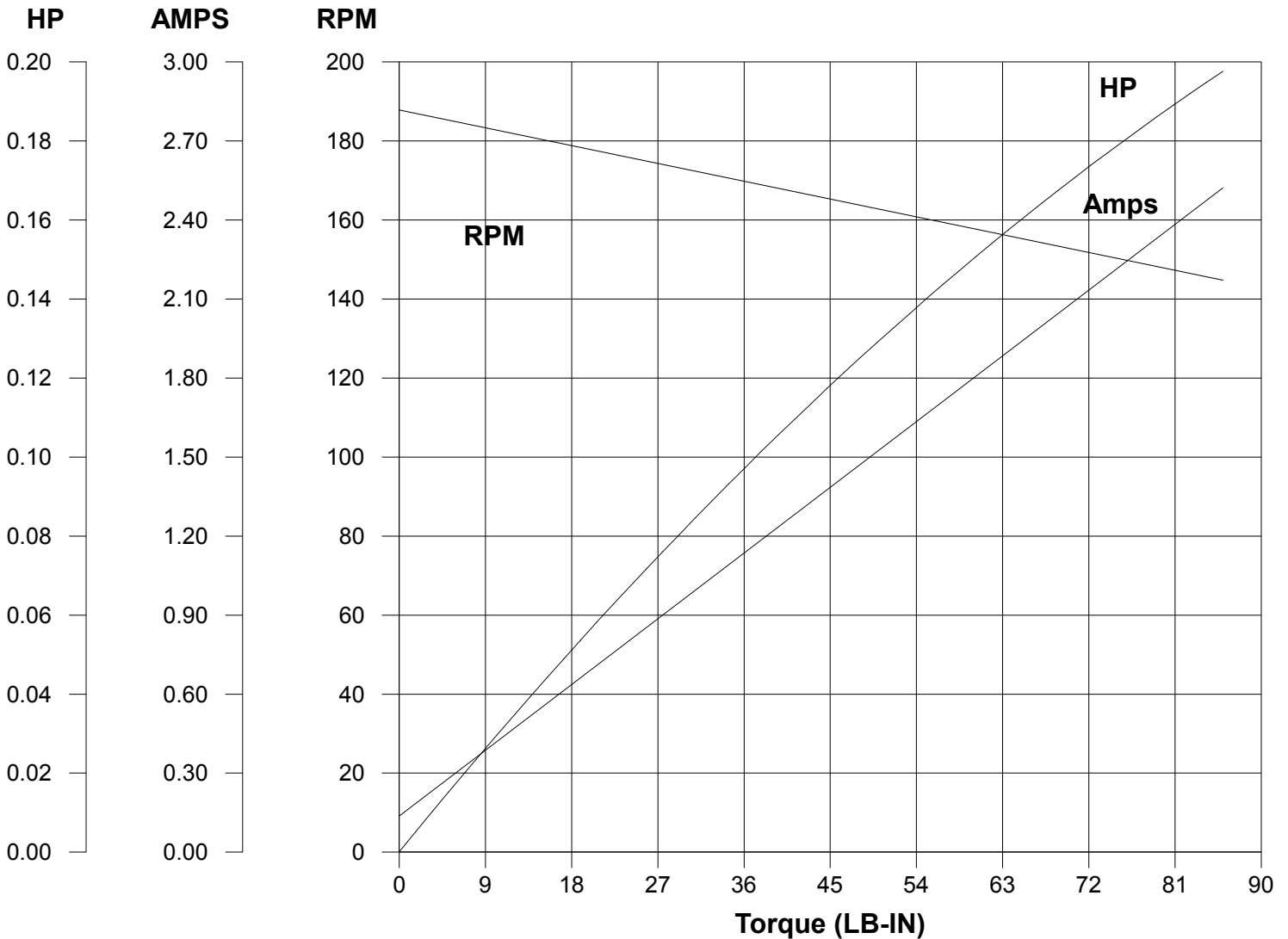
				TOLERANCES UNLESS SPECIFIED		 ELECTRIC MOTORS GEARMOTORS AND DRIVES	DRAWN RWS 3/15/05 CHK RPB 3/15/05 APPD		
				DEC.	INCHES		TITLE	SCALE 1=1	
				.X	±.1		CONNECTION DIAGRAM	REF 901.706	
				.XX	±.01			MAT'L.	FMF
				.XXX	±.005			FINISH	PREV
00	RELEASED COMM CONVERSION PROJECT	RWS 4/13/05	RPB	.XXXX	±.0005	CAD FILE M100530201	SIZE A	DRAWING NO. M1005302.01	REV. 00
NO.	REVISION	BY & DATE	CHK	ANG	±1/2"	DIST			

THIS DRAWING IN DESIGN AND DETAIL IS OUR PROPERTY AND MUST NOT BE USED EXCEPT IN CONNECTION WITH OUR WORK ALL RIGHTS OF DESIGN AND INVENTION ARE RESERVED THIS IS AN ELECTRONICALLY GENERATED DOCUMENT - DO NOT SCALE THIS PRINT

LEESON ELECTRIC CORPORATION

TYPICAL PERFORMANCE CURVE FOR DIRECT CURRENT PERMANENT MAGNET MOTOR

Model No. <u>985.616</u>	Catalog No. <u>M1125074.00</u>	
HP <u>0.125</u>	RPM <u>167</u>	DC Volts <u>90.0</u>
F.F. <u>1.38</u>	Encl <u>TENV</u>	Type <u>DN</u>
Max. Amb. <u>40.0 Deg C</u>	Insul. <u>F</u>	Frame <u>30</u>
		N.P. FLA <u>1.30</u>
		S.F. <u>1.00</u>
		Duty <u>CONT</u>



Ra 6.7140 Ohms
La 37.96 mHenrys
Ja 7.277 OZ-IN²
Ke 44.64 V/KRPM

Kt 3.773 LB-IN/AMP
Imax 13.7 AMPS Allowed
FL Torque 43.00 LB-IN
FL EFF 70.70 %

Winding W- MD302166-2 **Prepared by** V. Boehlen **Date** 05-12-2014