

# PRODUCT INFORMATION PACKET



Model No: M1120062.00  
Catalog No: M1120062.00  
0.25 HP Sub-Fractional Motor, 3500 RPM, 90 V, 31 Frame, TENV  
Sub-Fractional Motors



Regal and Leeson are trademarks of Regal Rexnord Corporation or one of its affiliated companies.  
©2021 Regal Rexnord Corporation, All Rights Reserved. MC017097E





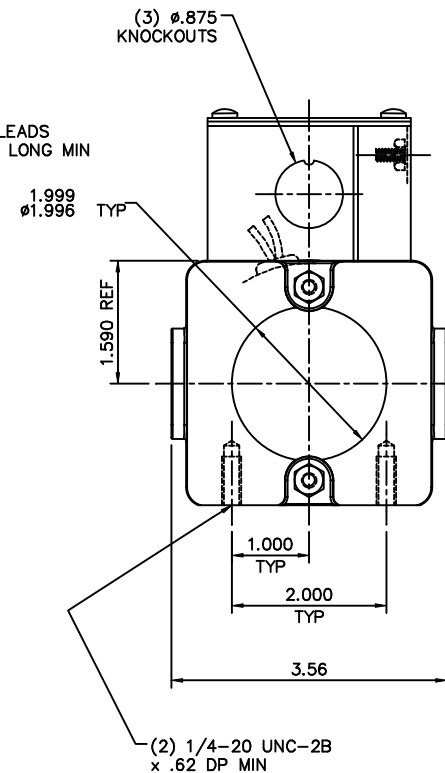
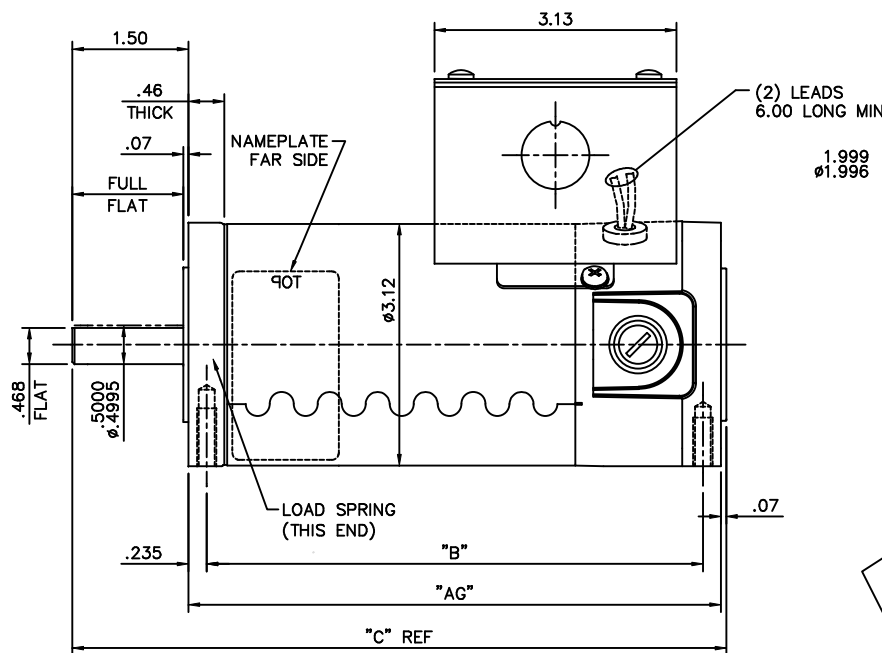
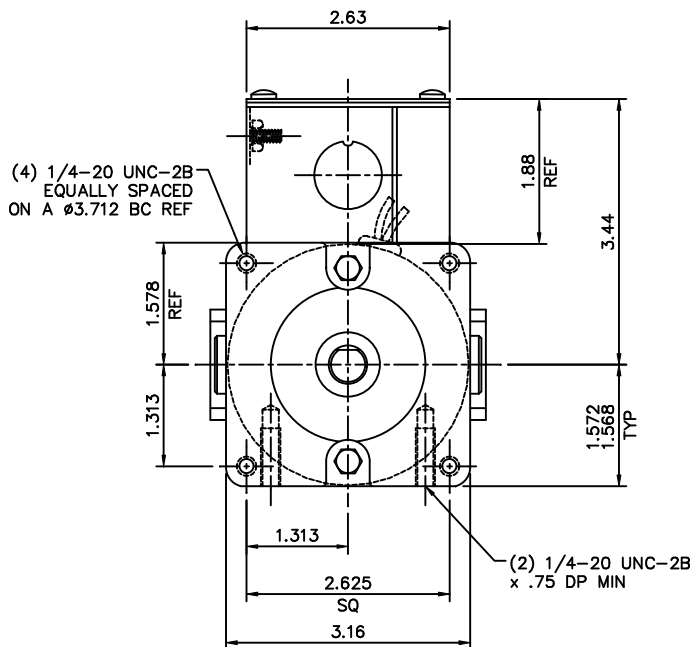
**Nameplate Specifications**

Output HP	0.25 Hp	Output KW	0.19 kW
Voltage	90 V	Current	2.6 A
Speed	3500 rpm	Service Factor	1
Efficiency	84 %	Duty	Continuous
Insulation Class	H	Frame	31
Enclosure	Totally Enclosed Non Ventilated	Thermal Protection	No
Ambient Temperature	40 °C	Drive End Bearing Size	6201-13
Opp Drive End Bearing Size	6201-13	UL	Recognized
CSA	Y	CE	Y

**Technical Specifications**

Rotation	Reversible	Mounting	Round
Overall Length	9.45 in	Frame Length	5.50 in
Shaft Diameter	0.500 in	Shaft Extension	1.5 in
Torque	72 OZ-IN		
Outline Drawing	M1031034-M1120062	Connection Drawing	M1005321

This is an uncontrolled document once printed or downloaded and is subject to change without notice. Date Created:10/07/2021

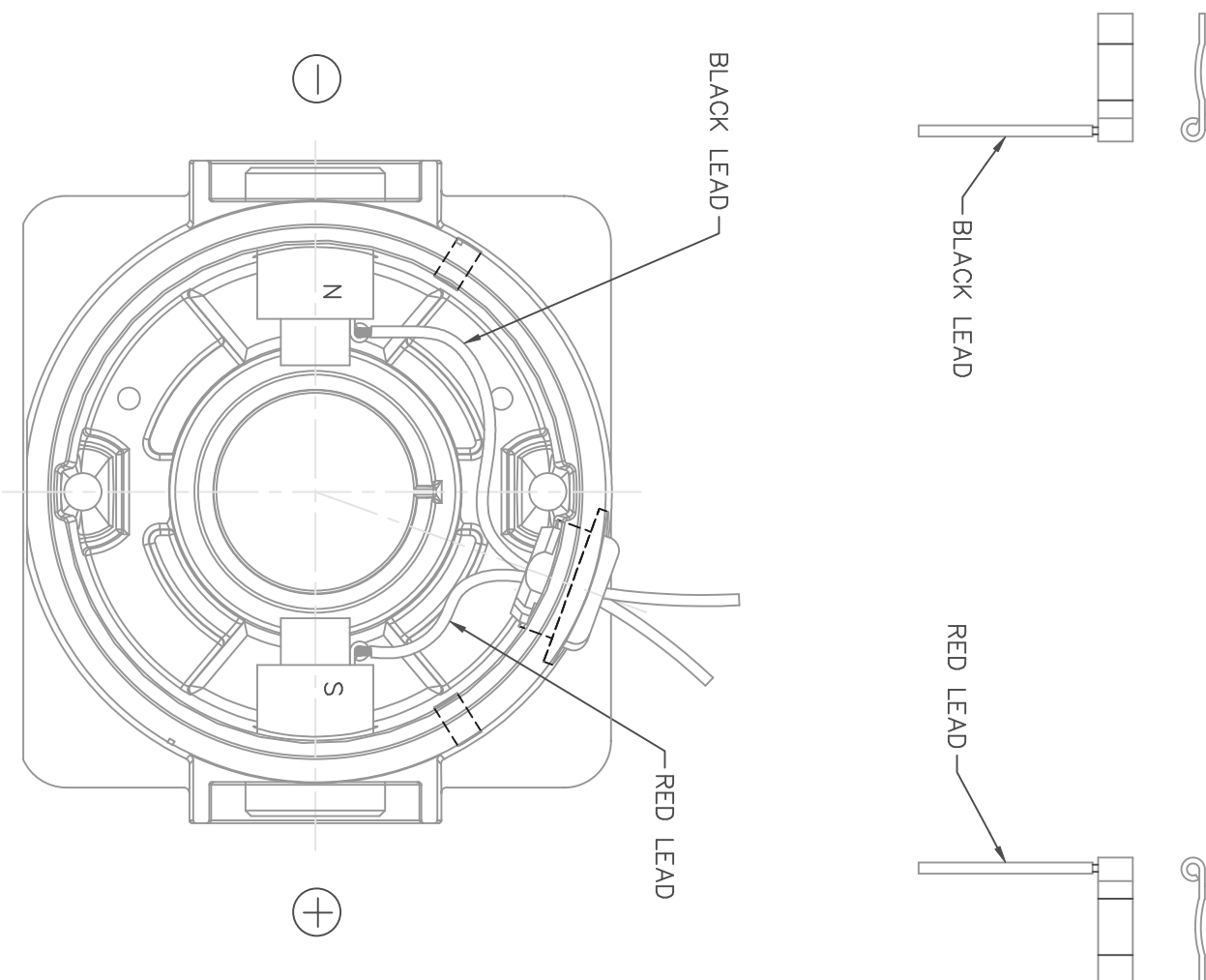


M1120062.00	7.88	7.42	9.45	90	1/4	3500
M1120060.00	5.38	4.92	6.95	90	1/10	3500
M1120059.00	5.88	5.42	7.45	90	1/8	3500
M1120058.00	6.88	6.42	8.45	90	1/6	3500
M1120045.00	6.88	6.42	8.45	180	1/8	1750
M1120043.00	7.88	7.42	9.45	180	1/6	1750
M1120042.00	7.88	7.42	9.45	90	1/6	1750
M1120041.00	6.38	5.92	7.95	180	1/10	1750
M1120040.00	4.88	4.42	6.45	12/24	1/14-1/7	1750/4200
M1120039.00	5.38	4.92	6.95	180	1/15	1750
M1120027.00	6.88	6.42	8.45	90	1/8	1750
M1120014.00	5.88	5.42	7.45	90	1/10	1750
M1120013.00	5.38	4.92	6.95	90	1/15	1750
CATALOG NO.	"AG" DIM	"B" DIM	"C" DIM	VOLT	H.P.	RPM

NOTES:  
 1) END CAP MOUNTING FEET TO BE PARALLEL TO EACH OTHER WITHIN .002

14	ADDED M1120060.00 TO TABLE, ECN 07-1640	IPG	5/18/07	SAD	TOLERANCES UNLESS SPECIFIED	ELECTRIC MOTORS GEARMOTORS AND DRIVES	DRAWN	IPG 11/9/06	
13	ADDED M1120059.00 TO TABLE, ECN 07-1638	IPG	5/18/07	SAD	DEC.		INCHES	CHK	SAD 11/9/06
12	CAT. M1120040.00: "AG" WAS 5.38, "B" WAS 4.92, "C" WAS 6.95, ECN 07-1635	IPG	5/18/07	SAD	.X		±.1	APPD	
11	ADDED M1120058.00 TO TABLE, ECN 07-1637	IPG	5/17/07	SAD	.XX		±.03	SCALE	5=8
10	ADDED M1120027.00 TO TABLE, ECN 07-1633	IPG	5/16/07	SAD	.XXXX	±.0005	TITLE	OUTLINE 31 FRAME DC	
NO.	REVISION	BY & DATE	CHK	ANG	±1/2"	FINISH	REF	M1030240.00	
THIS DRAWING IN DESIGN AND DETAIL IS OUR PROPERTY AND MUST NOT BE USED EXCEPT IN CONNECTION WITH OUR WORK. ALL RIGHTS OF DESIGN AND INVENTION ARE RESERVED. THIS IS AN ELECTRONICALLY GENERATED DOCUMENT - DO NOT SCALE THIS PRINT							MAT'L	FMF	M1120014.00
RFP	CAD FILE	M1031034	SIZE	DRAWING NO.	REV.				
DIST	B	M1031034.00	14						

D.C. MOTORS



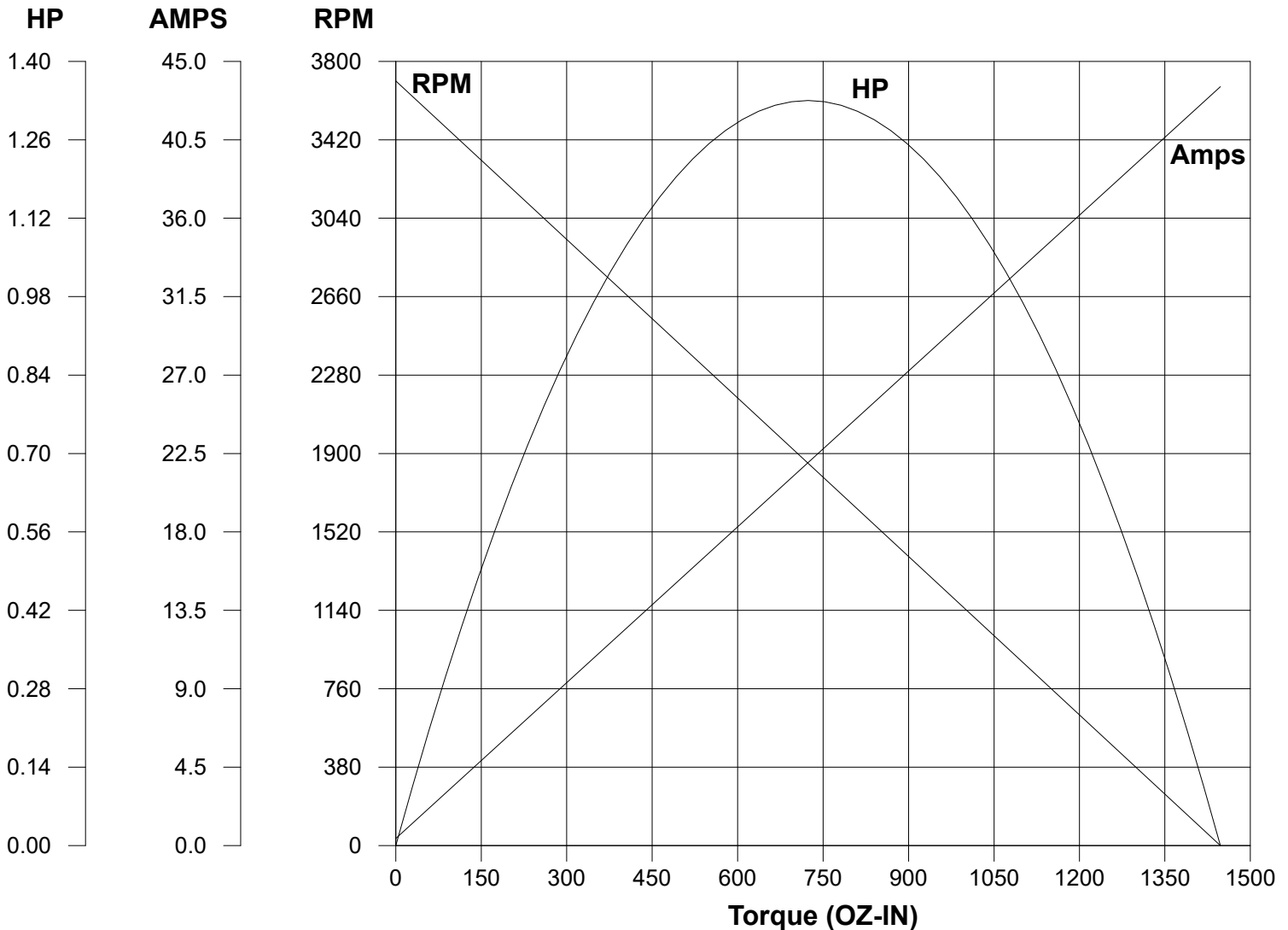
EXTERNAL CONNECTIONS FOR CCW ROTATION  
 VIEWING LEAD END OF MOTOR WITH RED LEAD  
 POSITIVE (+) AND BLACK LEAD NEGATIVE (-).  
 FOR CW ROTATION REVERSE POLARITY.

		TOLERANCES UNLESS SPECIFIED		<b>LEESON</b>	ELECTRIC MOTORS GEARMOTORS AND DRIVES	DRAWN	IPG 11/6/06			
		DEC.	INCHES			CHK	SAD 11/6/06		APPD	
		.X	±.1			TITLE	CONNECTION DIAGRAM		SCALE	1=1
		.XX	±.01					REF	M1005036.01	
		.XXX	±.005			FMF	M1120014.00			
00	RELEASED PER 31 TT FR CONSOLIDATION, ECN 06-4430	IPG	11/6/06	SAD	.XXXX	±.0005	MAT'L.			
NO.	REVISION	BY & DATE		CHK	ANG	±1/2'	FINISH	PREV		
THIS DRAWING IN DESIGN AND DETAIL IS OUR PROPERTY AND MUST NOT BE USED EXCEPT IN CONNECTION WITH OUR WORK ALL RIGHTS OF DESIGN AND INVENTION ARE RESERVED THIS IS AN ELECTRONICALLY GENERATED DOCUMENT - DO NOT SCALE THIS PRINT				RFP	CAD FILE	M1005321	SIZE	DRAWING NO.	REV.	
				DIST			A	M1005321.01	00	

# LEESON ELECTRIC CORPORATION

## TYPICAL PERFORMANCE CURVE FOR DIRECT CURRENT PERMANENT MAGNET MOTOR

Model No. <u>CM31D35NZ5</u>	Catalog No. <u>M1120062.00</u>	
HP <u>0.250</u>	RPM <u>3500</u>	DC Volts <u>90.0</u>
F.F. <u>1.38</u>	Encl <u>TENV</u>	Type <u>DN</u>
Max. Amb. <u>40.0 Deg C</u>	Insul. <u>H</u>	Frame <u>31</u>
		N.P. FLA <u>2.60</u>
		S.F. <u>1.00</u>
		Duty <u>CONT</u>



Ra <u>1.3850</u> Ohms	Kt <u>32.42</u> OZ-IN/AMP
La <u>10.60</u> mHenrys	Imax <u>43.8</u> AMPS Allowed
Ja <u>10.30</u> OZ-IN^2	FL Torque <u>72.00</u> OZ-IN
Ke <u>23.97</u> V/KRPM	FL EFF <u>84.00</u> %

Winding W- MD312374      Prepared by V. Boehlen      Date 04-23-2019