

# PRODUCT INFORMATION PACKET



Model No: M1115064.00  
Catalog No: M1115064.00  
0.07 HP DC Gearmotor, 173 RPM, 90 V, 25 Frame, TENV  
Right Angle Gearmotors



Regal and Leeson are trademarks of Regal Rexnord Corporation or one of its affiliated companies.  
©2021 Regal Rexnord Corporation, All Rights Reserved. MC017097E





**Nameplate Specifications**

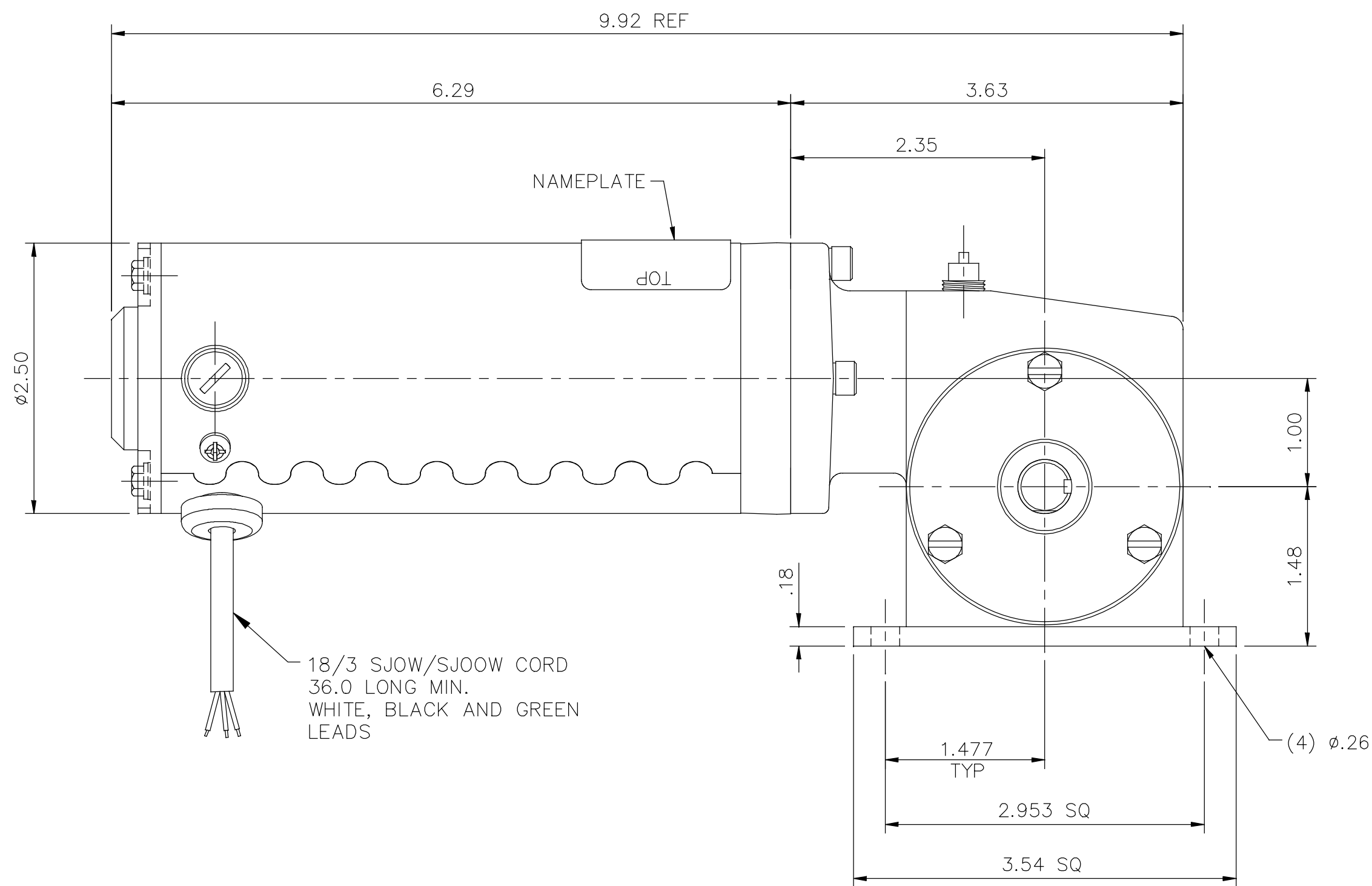
Output HP	0.07 Hp	Output KW	0.05 kW
Voltage	90 V	Current	0.90 A
Speed	173 rpm	Service Factor	1
Efficiency	45.6 %	Duty	Continuous
Insulation Class	H	Frame	25
Enclosure	Totally Enclosed Non Ventilated	Thermal Protection	No
Ambient Temperature	40 °C	Drive End Bearing Size	608
Opp Drive End Bearing Size	608	UL	Recognized
CSA	Y	CE	N

**Technical Specifications**

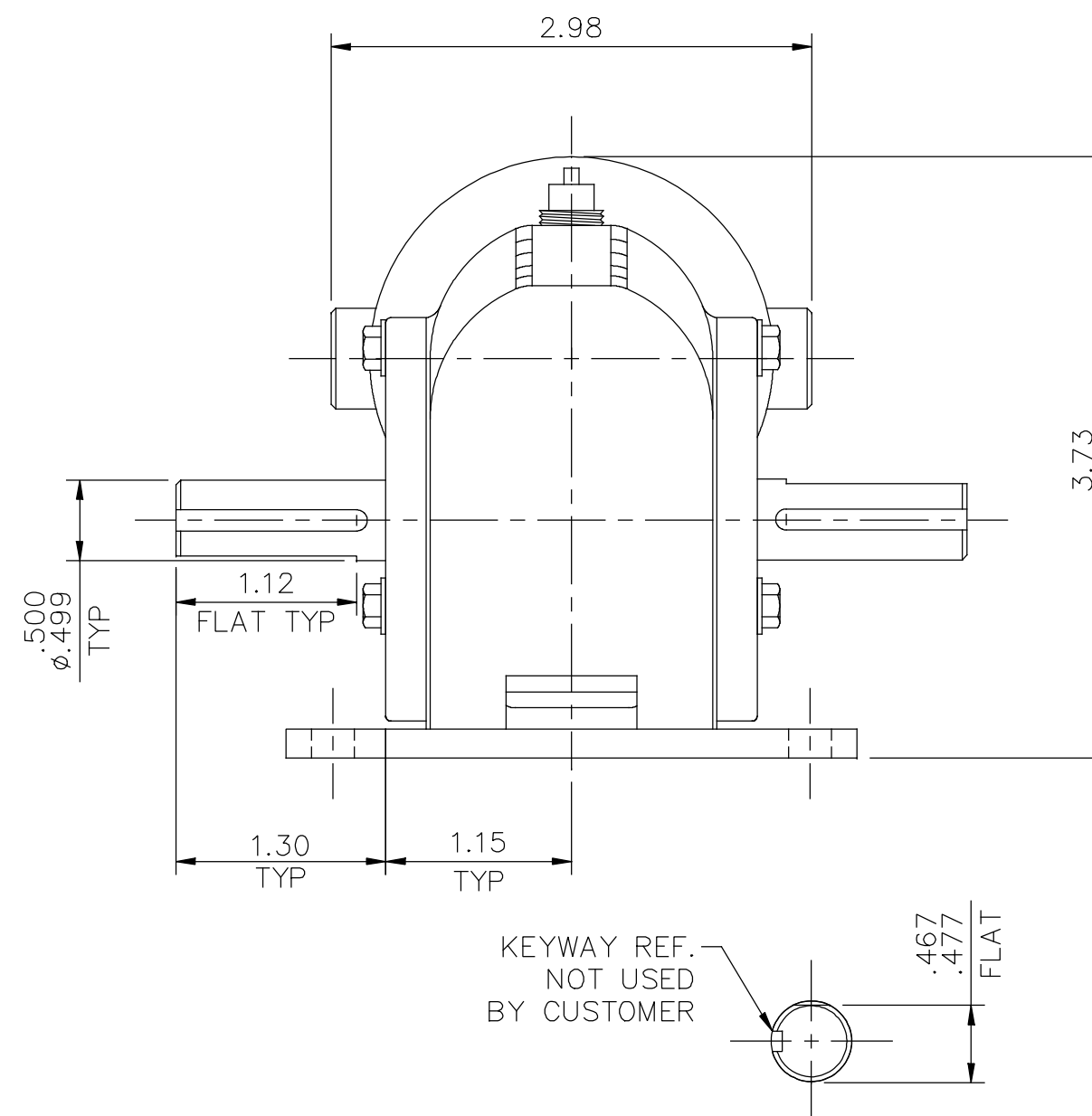
Rotation	Reversible	Mounting	Special
Shaft Type	Right Angle	Overall Length	9.92 in
Frame Length	5.36 in	Shaft Diameter	0.500 in
Shaft Extension	1.3 in	Torque	17 LB-IN
Connection Drawing	M1005382	Outline Drawing	611-0139-001

This is an uncontrolled document once printed or downloaded and is subject to change without notice. Date Created:10/07/2021

611-0139



18/3 SJOW/SJOOW CORD  
36.0 LONG MIN.  
WHITE, BLACK AND GREEN  
LEADS



SHAFT DETAIL TYP

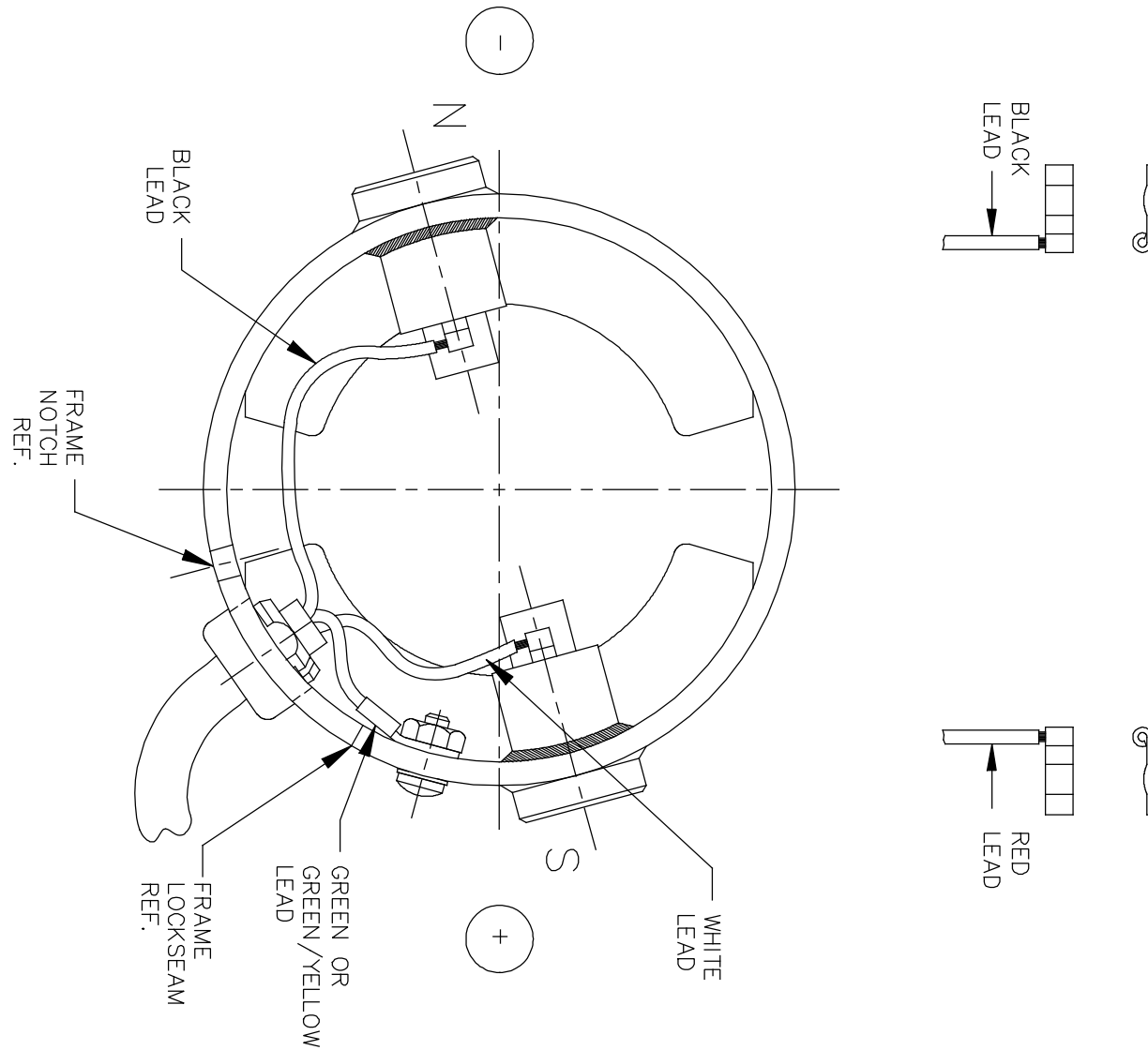
ITEM No.	ITEM REV
-001	0

		TOLERANCES UNLESS SPECIFIED		<b>LEESON</b> ELECTRIC MOTORS GEARMOTORS AND DRIVES	DRAWN	IPG 10/23/18
		DEC.	INCHES		CHK	
		.X	±.1	APPD		
		.XX	±.03	TITLE	SCALE	3=4
		.XXX	±.005	25 FRAME DC - RIGHT ANGLE GEARBOX	REF	OLPR183007
A	RELEASED, SAME AS OLPR183007, ECO-0155243	IPG	10/23/18	MAT'L.	FMF	M1115064.00
NO.	REVISION	BY & DATE	CHK	ANG	±1/2'	FINISH
THIS DRAWING IN DESIGN AND DETAIL IS OUR PROPERTY AND MUST NOT BE USED EXCEPT IN CONNECTION WITH OUR WORK ALL RIGHTS OF DESIGN AND INVENTION ARE RESERVED THIS IS AN ELECTRONICALLY GENERATED DOCUMENT - DO NOT SCALE THIS PRINT				RFP	CAD FILE	611-0139
				DIST	SIZE	DRAWING NO.
					B	611-0139
					REV.	A


M1005382

D.C. MOTORS

EXTERNAL CONNECTIONS FOR CW ROTATION VIEWING  
 LEAD END OF MOTOR WITH RED LEAD POSITIVE (+)  
 AND BLACK LEAD NEGATIVE (-)  
 FOR CCW ROTATION REVERSE POLARITY



ITEM No.	ITEM REV
-01	0

				TOLERANCES UNLESS SPECIFIED			ELECTRIC MOTORS GEARMOTORS AND DRIVES	DRAWN IPG 10/22/18			
				DEC.	INCHES			CHK			
				.X	±.1			APPD			
				.XX	±.03			TITLE	CONNECTION DIAGRAM		
				.XXX	±.005			SCALE	1=1		
				.XXXX	±.0005	MAT'L.			REF	CDPR182114	
A	RELEASED, SAME AS CDPR182114, ECO-0155029	IPG	10/22/18	CHK	ANG	FINISH			FMF	M1115063.00	
NO.	REVISION	BY & DATE	CHK	ANG	±1/2"	PREV					
THIS DRAWING IN DESIGN AND DETAIL IS OUR PROPERTY AND MUST NOT BE USED EXCEPT IN CONNECTION WITH OUR WORK ALL RIGHTS OF DESIGN AND INVENTION ARE RESERVED THIS IS AN ELECTRONICALLY GENERATED DOCUMENT - DO NOT SCALE THIS PRINT				RFP	CAD FILE			M1005382	SIZE	DRAWING NO.	REV.
				DIST				A	M1005382	A	