

PRODUCT INFORMATION PACKET



Model No: LM34115
Catalog No: LM34115
3 HP Automotive Duty Motor, 3 phase, 1800 RPM, 460 V, 213U Frame, TEFC
Automotive Duty Motors



Regal and Leeson are trademarks of Regal Rexnord Corporation or one of its affiliated companies.
©2021 Regal Rexnord Corporation, All Rights Reserved. MC017097E





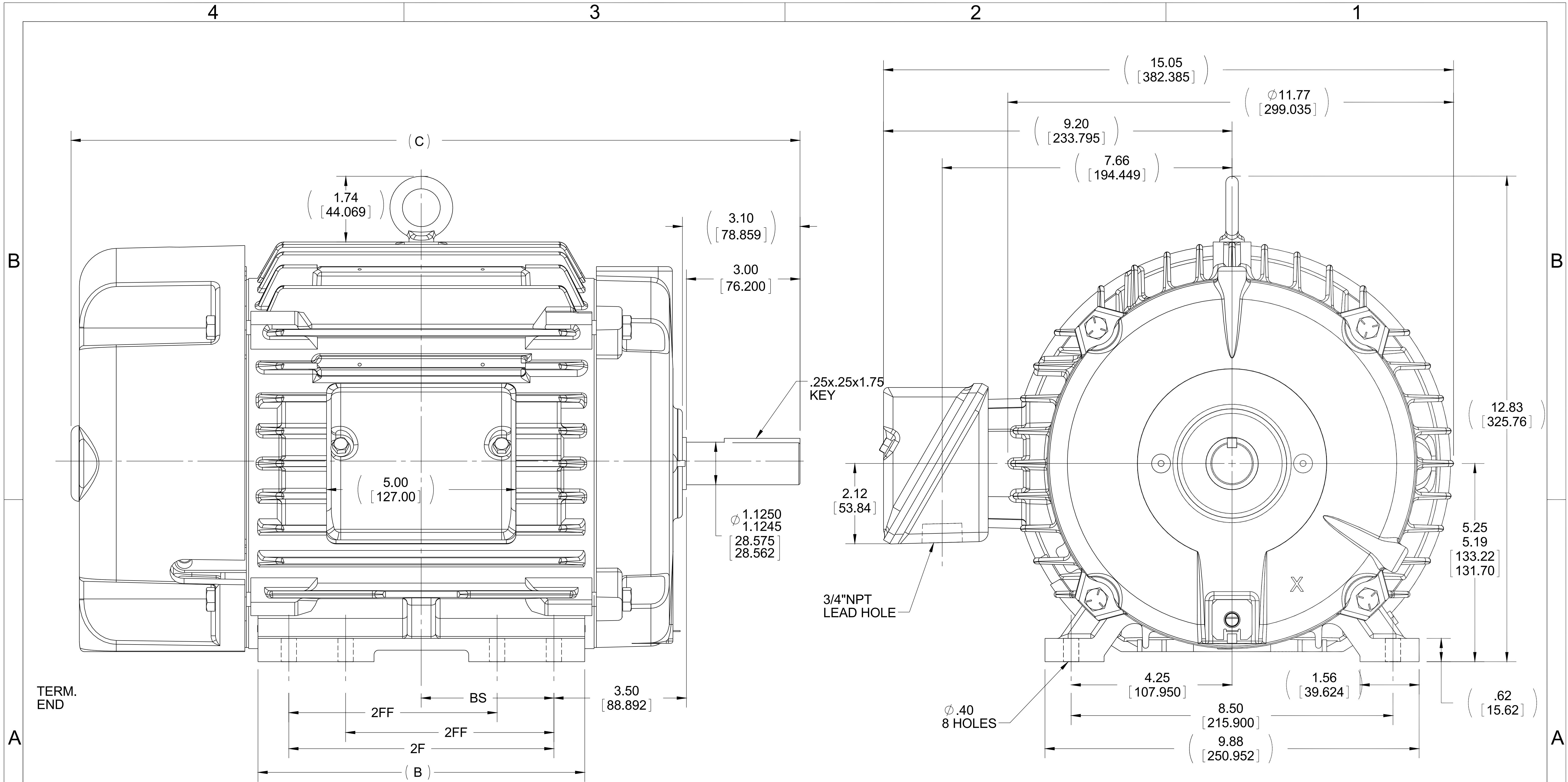
Nameplate Specifications

Output HP	3 Hp	Output KW	2.2 kW
Frequency	60 Hz	Voltage	460 V
Current	3.9 A	Speed	1775 rpm
Service Factor	1	Phase	3
Efficiency	89.5 %	Power Factor	81
Duty	Continuous	Insulation Class	F
Design Code	B	KVA Code	K
Frame	213U	Enclosure	Totally Enclosed Fan Cooled
Thermal Protection	No	Ambient Temperature	65 °C
Drive End Bearing Size	6307	Opp Drive End Bearing Size	6208
UL	Recognized	CSA	Y
CE	Y	IP Code	43
Number of Speeds	1		

Technical Specifications

Electrical Type	Squirrel Cage Induction Run	Starting Method	Across The Line
Poles	4	Rotation	Reversible
Resistance Main	2.385 Ohms	Mounting	Rigid Base
Motor Orientation	Horizontal	Drive End Bearing	Ball
Opp Drive End Bearing	Ball	Frame Material	Cast Iron
Shaft Type	U	Overall Length	19.25 in
Frame Length	9.12 in	Shaft Diameter	1.125 in
Shaft Extension	3 in	Assembly/Box Mounting	F1/F2 CAPABLE
Outline Drawing	038000-912	Connection Drawing	EE7300-LN

This is an uncontrolled document once printed or downloaded and is subject to change without notice. Date Created:10/07/2021



NOTES:

1. CONDUIT BOX CAN BE ROTATED IN 90° STEPS.
2. CONDUIT BOX CAN BE MOUNTED IN OPPOSITE SIDE BY REMOVING BRACKETS AND TURNING FRAME 180°.
3. NAMEPLATE TO BE READ FROM CONDUIT BOX SIDE OF MOTOR.

1212	213/215	22.25	11.76	10	7	5
912	213/215	19.25	8.63	7	5.5	3.5
DASH	FRAME	C	B	2F	2FF	BS

DRAWING REVISION B	REVISION BY SL	DATE 10/13/15
ECO ECO-0086455	APPROVED BY ST	DATE 10/13/15
ECO DESCRIPTION EXTENSION LENGTH UPDATED COPYRIGHT REGAL BELOIT AMERICA, INC. ALL RIGHTS RESERVED. PROPRIETARY AND CONFIDENTIAL INFORMATION - THIS DOCUMENT IS THE PROPERTY OF REGAL BELOIT AMERICA, INC. ("OWNER") AND CONTAINS OWNER'S PROPRIETARY INFORMATION. ANY PERSON, CORPORATION OR OTHER FIRM RECEIVING IT IS DEEMED, BY RECEIVING IT, TO AGREE THAT IT, AND/OR ANY PART OF IT, SHALL NOT BE DISCLOSED TO ANY PERSON, CORPORATION OR OTHER ENTITY, DUPLICATED, AND/OR USED, EXCEPT AS EXPRESSLY APPROVED IN WRITING IN ADVANCE BY OWNER. THIS DOCUMENT SHALL BE RETURNED TO OWNER UPON REQUEST. IT MAY BE SUBJECT TO CERTAIN RESTRICTIONS UNDER APPLICABLE EXPORT CONTROL LAWS AND REGULATIONS.		

TOLERANCES UNLESS OTHERWISE SPECIFIED:			
DEC.	INCH	mm	ANGLE
.X	±0.1	[±2.5]	±7° 30"
.XX	±0.02	[±0.51]	
.XXX	±0.005	[±0.127]	
.XXXX	±0.0005	[±0.0127]	
REMOVE BURRS & BREAK SHARP EDGES: .003/.015 [0.076/.381] X 45° CORNER FILLETS: R.02 [0.51] MACHINED SURFACES: 200 INCH/mm 5.1 mm SHOWN IN [BRACKETS]			

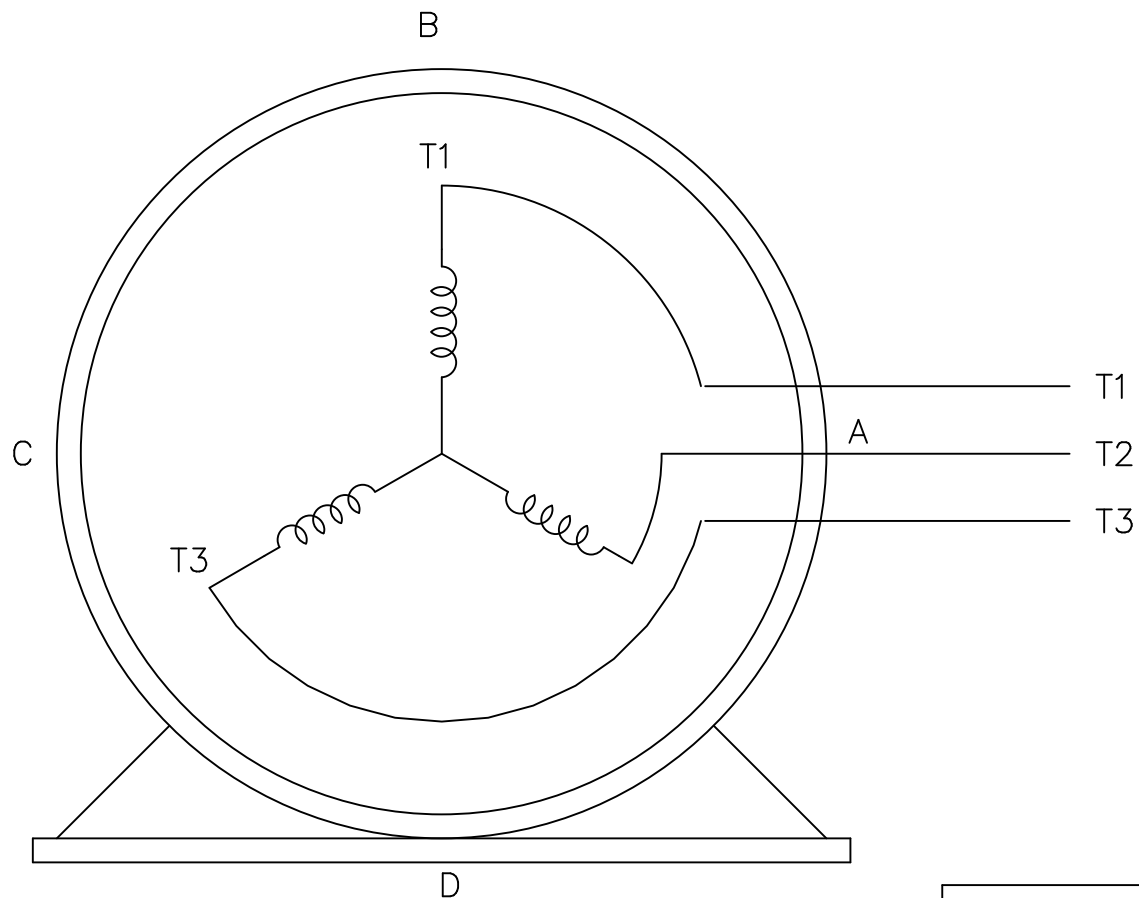
DRAWN BY SAJID
DATE 04/30/2015
APPROVED BY ST
DATE 04/03/2015
REFERENCE 037657LN
THIRD ANGLE PROJECTION

REGAL ™ Regal Beloit America, Inc.	
DESCRIPTION	OUTLINE 210 FR. - TEFC/EPFC
MATERIAL	PROCESS/FINISH
SIZE B	DRAWING NUMBER 038000
	SHEET 1 OF 1

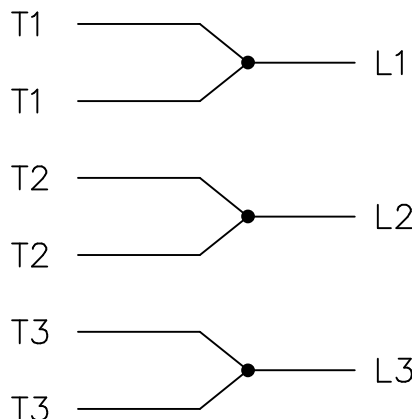
THREE PHASE – SINGLE VOLTAGE
MOTOR – CONDUIT BOX @ 'A'

EE7300-LN

TO REVERSE ROTATION:
INTERCHANGE ANY TWO LINE
LEAD CONNECTIONS



IF MOTOR HAS
6 LEADS



A-9806 DECAL

OPTIONAL CORD
CONNECTION

L1 WHITE
L2 RED
L3 BLACK

TOLERANCES
UNLESS SPECIFIED

DEC. INCHES

.X ±.1

.XX ±.02

2 ADDED OPTIONAL CORD CONNECTION PER MU47226

CTO 03-31-2004

PJB

.XXX ±.005

1 NEW DRAWING

CTO 08-13-1999

.XXXX ±.0005

NO. REVISION

BY & DATE

CHK

ANG ±7'30"

TITLE CONNECTION DIAGRAM
SINGLE VOLT – 3 ϕ MOTOR

MAT'L.

FINISH



DRAWN BLR 08-13-1999

CHK ML 08-13-1999

APPD GK 08-13-1999

SCALE 1=1

REF

FMF

PREV

THIS DRAWING IN DESIGN AND DETAIL IS OUR PROPERTY AND MUST NOT BE USED EXCEPT
IN CONNECTION WITH OUR WORK ALL RIGHTS OF DESIGN AND INVENTION ARE RESERVED
THIS IS AN ELECTRONICALLY GENERATED DOCUMENT – DO NOT SCALE THIS PRINT

RFP

CAD FILE EE7300_LN

SIZE

DRAWING NO. PAGE OF

REV.

DIST WP

A

EE7300-LN

2

Data Sheet

Date: 1/30/2018

LM34115



Data @ 460 V

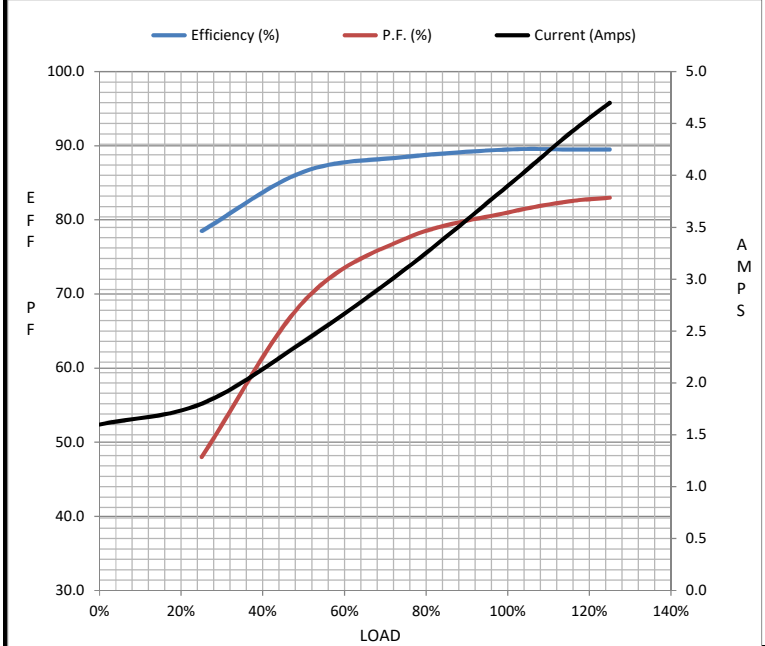
Motor Load Data

Load	0%	25%	50%	75%	100%	115%	125%	LR
Current (Amps)	1.60	1.80	2.40	3.1	3.9	4.4	4.7	30.5
Torque (ft-lb)	0.00	2.20	4.4	6.7	8.9	10.2	11.2	22.0
RPM	1800	1795	1788	1782	1775	1.772	1768	0
Efficiency (%)		78.5	86.5	88.5	89.5	89.5	89.5	
P.F. (%)	10.0	48.0	69.0	77.5	81.0	82.5	83.0	37.0

Motor Speed Data

	LR	Pull-Up	BD	Rated	Idle
Speed (RPM)	0	750	1625	1775	1800
Current (Amps)	30.5	26.0	17.0	3.9	1.60
Torque (ft-lb)	22.0	19.0	26.5	8.9	0.00

Information Block				
HP	3.0			
Sync. RPM	1800			
Frame	213			
Enclosure	TEFC			
Construction	TFN			
Voltage	460 V			
Frequency	60 Hz			
Design	B			
LR Code letter	K			
Service Factor	1.15			
Temp Rise @ FL	30 °C			
Duty	CONT			
Ambient	40 °C			
Elevation	1,000 feet			
Rotor/Shaft wk ²	0.80 Lb-Ft ²			
Ref Wdg	K2134232 NONE			
Sound Pressure @ 1M	62 dBA			
VFD Rating	NONE			
Outline Dwg	038000-912			
Conn. Diag	EE7300-LN			
Additional Specifications:				
0				
0				
EQUIV CKT (OHMS / PHASE)				
R1	R2	X1	X2	Xm
1.4650	1.0400	5.9540	10.9620	166.7930



Speed - Torque Curve

