

# PRODUCT INFORMATION PACKET



Model No: LM30100  
Catalog No: LM30100  
30 HP Elevator Duty Motor, 3 phase, 3600 RPM, 230/460 V, 284T Frame, ODP  
Elevator Duty Motors



Regal and Leeson are trademarks of Regal Rexnord Corporation or one of its affiliated companies.  
©2021 Regal Rexnord Corporation, All Rights Reserved. MC017097E





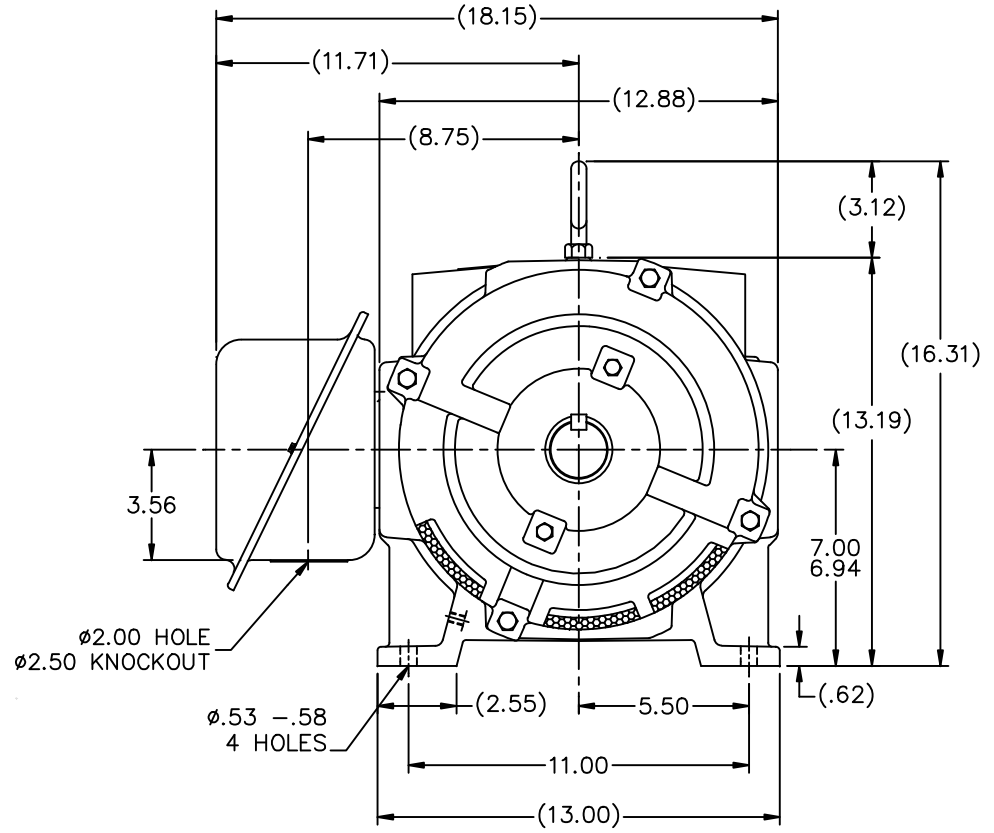
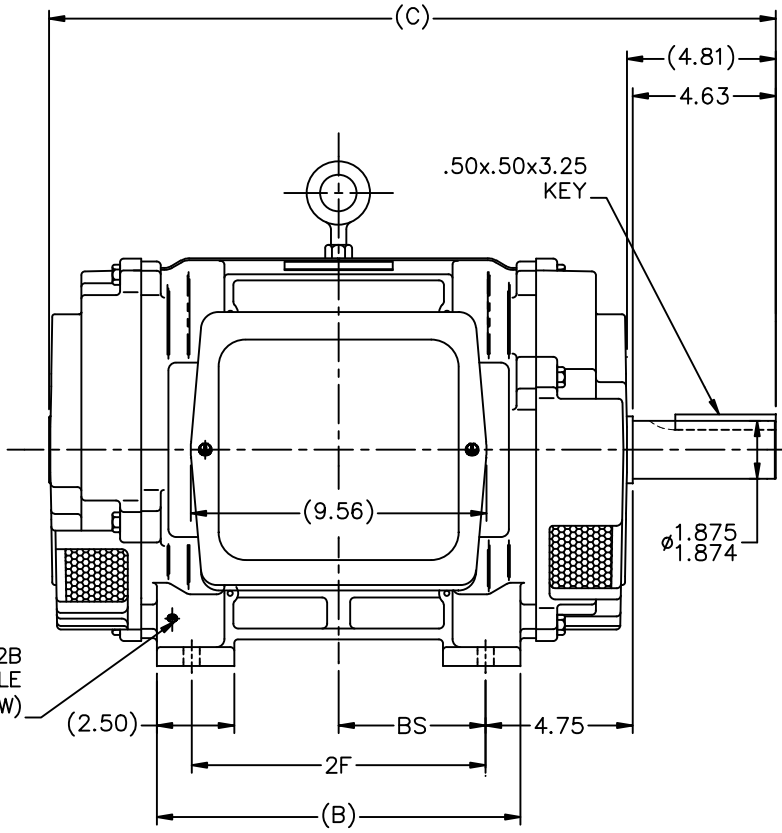
### Nameplate Specifications

Output HP	<b>30 Hp</b>	Output KW	<b>22.4 kW</b>
Frequency	<b>60 Hz</b>	Voltage	<b>230/460 V</b>
Current	<b>72.0/36.0 A</b>	Speed	<b>3530 rpm</b>
Service Factor	<b>1</b>	Phase	<b>3</b>
Efficiency	<b>91 %</b>	Power Factor	<b>85.5</b>
Duty	<b>120/80 Starts/Hour</b>	Insulation Class	<b>F</b>
Design Code	<b>INV</b>	KVA Code	<b>C</b>
Frame	<b>284T</b>	Enclosure	<b>Drip Proof</b>
Thermal Protection	<b>No</b>	Ambient Temperature	<b>40 °C</b>
Drive End Bearing Size	<b>311</b>	Opp Drive End Bearing Size	<b>210</b>
UL	<b>Recognized</b>	CSA	<b>Y</b>
CE	<b>Y</b>	IP Code	<b>12</b>
Number of Speeds	<b>1</b>		

### Technical Specifications

Electrical Type	<b>Squirrel Cage Induction Run</b>	Starting Method	<b>Wye Start Delta Run</b>
Poles	<b>2</b>	Rotation	<b>Reversible</b>
Resistance Main	<b>.364 Ohms</b>	Mounting	<b>Rigid Base</b>
Motor Orientation	<b>Horizontal</b>	Drive End Bearing	<b>Ball</b>
Opp Drive End Bearing	<b>Ball</b>	Frame Material	<b>Cast Iron</b>
Shaft Type	<b>T</b>	Overall Length	<b>23.49 in</b>
Frame Length	<b>12.75 in</b>	Shaft Diameter	<b>1.875 in</b>
Shaft Extension	<b>4.63 in</b>	Assembly/Box Mounting	<b>F1/F2 CAPABLE</b>
Connection Drawing	<b>EE7358-LN</b>	Outline Drawing	<b>SS200030LN-1275</b>

This is an uncontrolled document once printed or downloaded and is subject to change without notice. Date Created:10/07/2021



- NOTES
1. BOX CAN BE ROTATED IN 90° STEPS
  2. BOX CAN BE MOUNTED ON OPPOSITE SIDE BY REMOVING BRACKETS AND TURNING FRAME 180°
  3. NAMEPLATE TO BE READ FROM CONDUIT BOX SIDE OF MOTOR

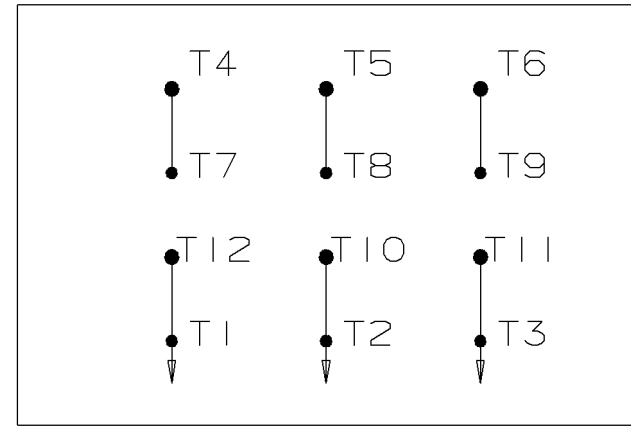
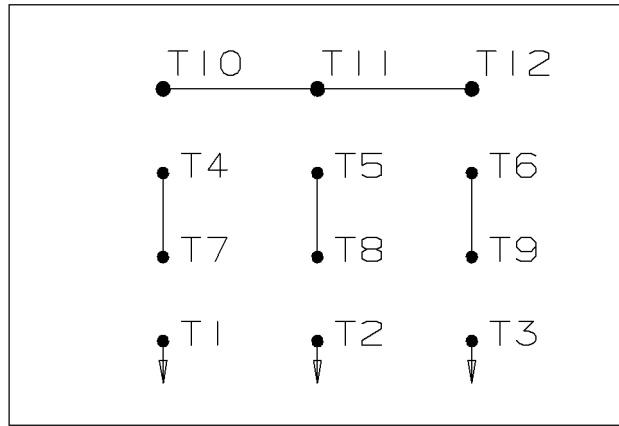
DASH	FRAME	B	C	2F	BS
1275	284T	11.75	23.49	9.50	4.75
1425	286T	13.25	24.99	11.00	5.50

		TOLERANCES UNLESS SPECIFIED		Lincoln MOTOR		DRAWN CTO 12-12-2003	
		DEC.	INCHES			CHK	ML 12-12-2003
		.X	±.1			APPD	BW 12-12-2003
		.XX	±.03	TITLE OUTLINE - DR.PR. - CAST IRON		SCALE	1=4
		.XXX	±.005	280T FR. - BB - TS - DBL. END VENT.		REF	
		.XXXX	±.0005	MAT'L		FMF	MU49135
		CHK	ANG ±7'30"	FINISH		PREV	
NO.		REVISION	BY & DATE	RFP	12-12-2003	CAD FILE	ss200030ln
THIS DRAWING IN DESIGN AND DETAIL IS OUR PROPERTY AND MUST NOT BE USED EXCEPT IN CONNECTION WITH OUR WORK ALL RIGHTS OF DESIGN AND INVENTION ARE RESERVED THIS IS AN ELECTRONICALLY GENERATED DOCUMENT - DO NOT SCALE THIS PRINT				DIST	LB	SIZE	DRAWING NO. PAGE OF REV.
				B		SS200030LN	2

WYE START

HIGH VOLTAGE

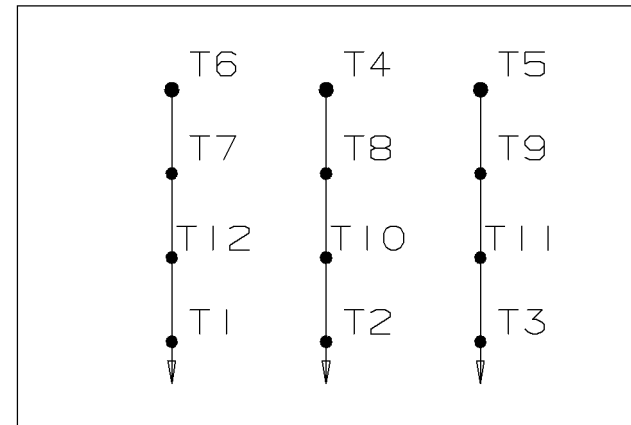
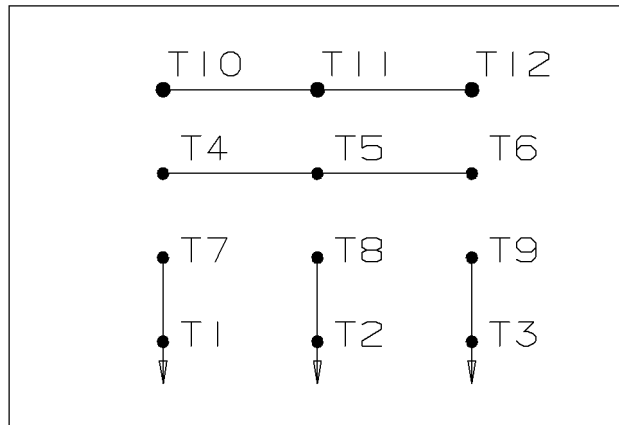
DELTA RUN



WYE START

LOW VOLTAGE

DELTA RUN



4/2 CKTY Δ

					<input checked="" type="checkbox"/> UNLESS OTHERWISE SPECIFIED DIMENSIONS ARE IN INCHES TOL. ON XX± .02    XXX± .005    XXXX± .0005    ANGLES± 7'30"		
						MAX. SURFACE ROUGHNESS UNLESS OTHERWISE NOTED FINISH MATERIAL	DRAWN BY DRS CHKD BY ML APPD BY TB
1	12-07-1999	NEW DRAWING	DRS	PART NAME CONNECTION DIAGRAM			DRWG NO A-EE7358-LN
REV	DATE	CHANGE	NAME				

PURCHASED | CADD FILE NO. | EE7358-LN

Data Sheet

Date: 2/1/2018

LM30100



Data @ **460 V**

Motor Load Data

Load	0%	25%	50%	75%	100%	115%	125%	LR
Current (Amps)	10.5	14.0	20.0	27.0	36.0	40.0	45.0	200
Torque (ft-lb)	0.00	11.0	22.0	33.5	44.5	50.0	56.0	67.0
RPM	3600	3585	3570	3550	3530	3,520	3505	0
Efficiency (%)		90.0	91.7	91.7	91.0	91.0	90.0	
P.F. (%)	11.0	56.0	76.5	84.0	85.5	85.5	86.5	38.0

Motor Speed Data

	LR	Pull-Up	BD	Rated	Idle
Speed (RPM)	0	1930	3200	3530	3600
Current (Amps)	200	182	126	36.0	10.5
Torque (ft-lb)	67.0	72.0	110	44.5	0.00

Information Block				
HP	30.0			
Sync. RPM	3600			
Frame	284			
Enclosure	DP			
Construction	TDP			
Voltage	230/460#230/460 V			
Frequency	60 Hz			
Design	B			
LR Code letter	F			
Service Factor	1.15			
Temp Rise @ FL	40 °C			
Duty	60 MIN			
Ambient	40 °C			
Elevation	1,000 feet			
Rotor/Shaft wk <sup>2</sup>	1.25 Lb-Ft <sup>2</sup>			
Ref Wdg	K256294 R6			
Sound Pressure @ 1M	80 dBA			
VFD Rating	NONE			
Outline Dwg	B-SS200030LN-1275			
Conn. Diag	A-EE7358-LN			
Additional Specifications:				
0				
0				
EQUIV CKT (OHMS / PHASE)				
R1	R2	X1	X2	Xm
0.2140	0.1510	0.8140	0.7720	24.4070

