

# PRODUCT INFORMATION PACKET



Model No: LM30097  
Catalog No: LM30097  
25 HP Elevator Duty Motor, 3 phase, 3600 RPM, 200 V, 256T Frame, ODP  
Elevator Duty Motors



Regal and Leeson are trademarks of Regal Rexnord Corporation or one of its affiliated companies.  
©2021 Regal Rexnord Corporation, All Rights Reserved. MC017097E





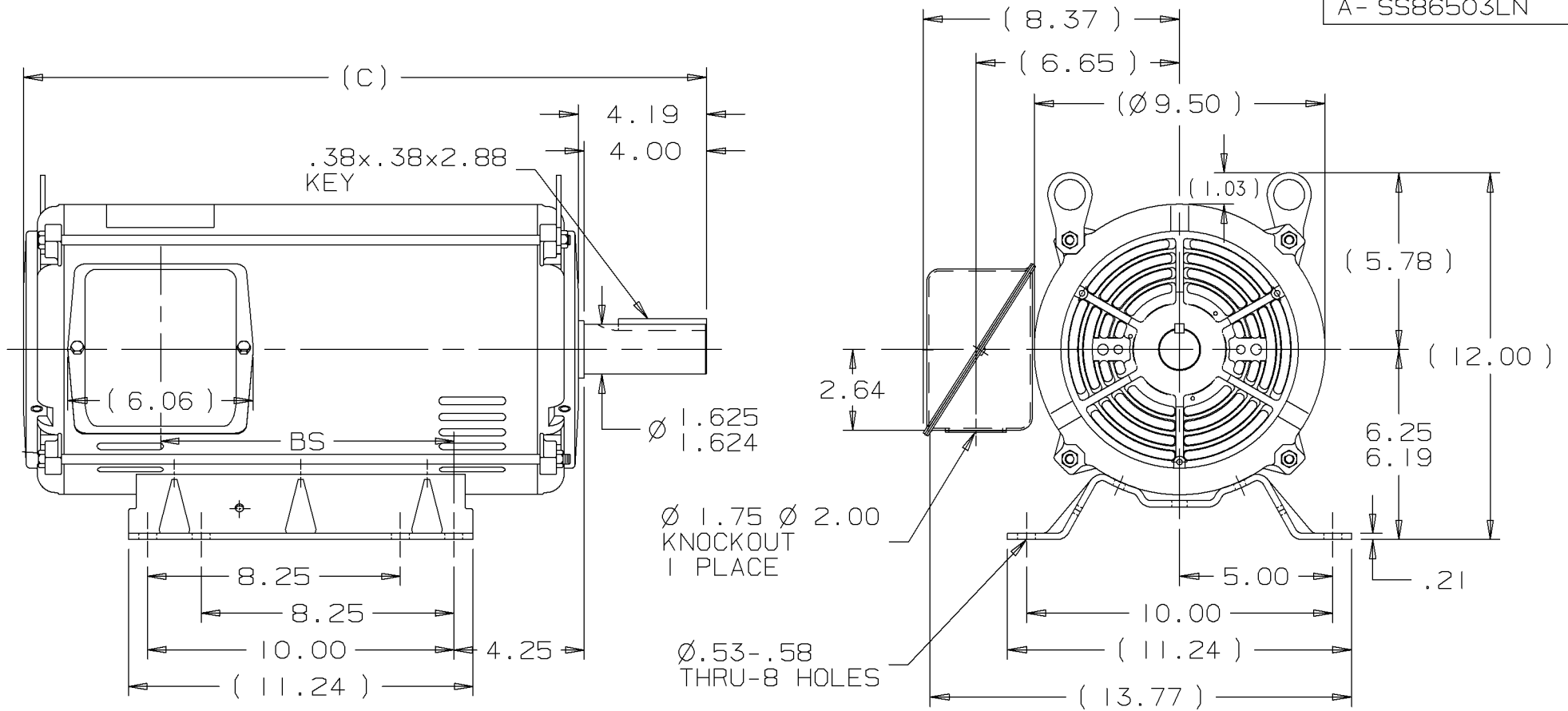
### Nameplate Specifications

Output HP	<b>25 Hp</b>	Output KW	<b>18.7 kW</b>
Frequency	<b>60 Hz</b>	Voltage	<b>200 V</b>
Current	<b>66.5 A</b>	Speed	<b>3520 rpm</b>
Service Factor	<b>1</b>	Phase	<b>3</b>
Efficiency	<b>91 %</b>	Power Factor	<b>88.3</b>
Duty	<b>120/80 Starts/Hour</b>	Insulation Class	<b>F</b>
Design Code	<b>INV</b>	KVA Code	<b>E</b>
Frame	<b>256T</b>	Enclosure	<b>Drip Proof</b>
Thermal Protection	<b>No</b>	Ambient Temperature	<b>40 °C</b>
Drive End Bearing Size	<b>309</b>	Opp Drive End Bearing Size	<b>208</b>
UL	<b>Recognized</b>	CSA	<b>Y</b>
CE	<b>Y</b>	IP Code	<b>12</b>
Number of Speeds	<b>1</b>		

### Technical Specifications

Electrical Type	<b>Squirrel Cage Induction Run</b>	Starting Method	<b>Wye Start Delta Run</b>
Poles	<b>2</b>	Rotation	<b>Reversible</b>
Resistance Main	<b>.365 Ohms</b>	Mounting	<b>Rigid Base</b>
Motor Orientation	<b>Horizontal</b>	Drive End Bearing	<b>Ball</b>
Opp Drive End Bearing	<b>Ball</b>	Frame Material	<b>Rolled Steel</b>
Shaft Type	<b>T</b>	Overall Length	<b>22.32 in</b>
Frame Length	<b>15.45 in</b>	Shaft Diameter	<b>1.625 in</b>
Shaft Extension	<b>4 in</b>	Assembly/Box Mounting	<b>F1/F2 CAPABLE</b>
Outline Drawing	<b>SS86503LN-1545</b>	Connection Drawing	<b>EE7340-LN</b>

This is an uncontrolled document once printed or downloaded and is subject to change without notice. Date Created:10/07/2021



DASH	FR.	C	BS	MOUNTING
1370	254T	20.57	7.68	F1 OR F2
1545	254T/256T	22.32	9.43	F1 OR F2

NOTES:

1. NAMEPLATE TO BE READ FROM C'BOX SIDE OF MOTOR.
2. BOX CAN BE MOUNTED IN 90° STEPS.
3. BOX CAN BE MOUNTED ON OPPOSITE SIDE BY REMOVING BRACKETS AND TURNING FRAME 180°. (EXCEPT AS NOTED.)
4. F2 MOUNT -USES 2ND HOLE ON 1370 FRAME.

						UNLESS OTHERWISE SPECIFIED DIMENSIONS ARE IN INCHES TOL. ON XX±.02 XXX±.005 XXXX±.0005 ANGLES± 7'30"	
2	01-31-2000	UPDATED CONDUIT BOX PER	CN 28427	TJB	MAX. SURFACE ROUGHNESS UNLESS OTHERWISE NOTED		DRAWN BY TRB 07-20-1999
					FINISH		CHKD BY ML 07-20-1999
1	07-20-1999	NEW DRAWING		TRB	MATERIAL		APPD BY GK 07-20-1999
REV	DATE	CHANGE		NAME	PART NAME OUTLINE		DRWG NO
					250 FR. - BB - DR.PR.		A-SS86503LN



L PURCHASED

CADD FILE NO.

SS86503LN

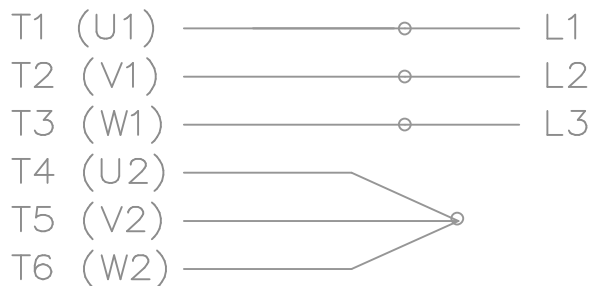
ERROR: syntaxerror  
OFFENDING COMMAND: --nostringval--

STACK:

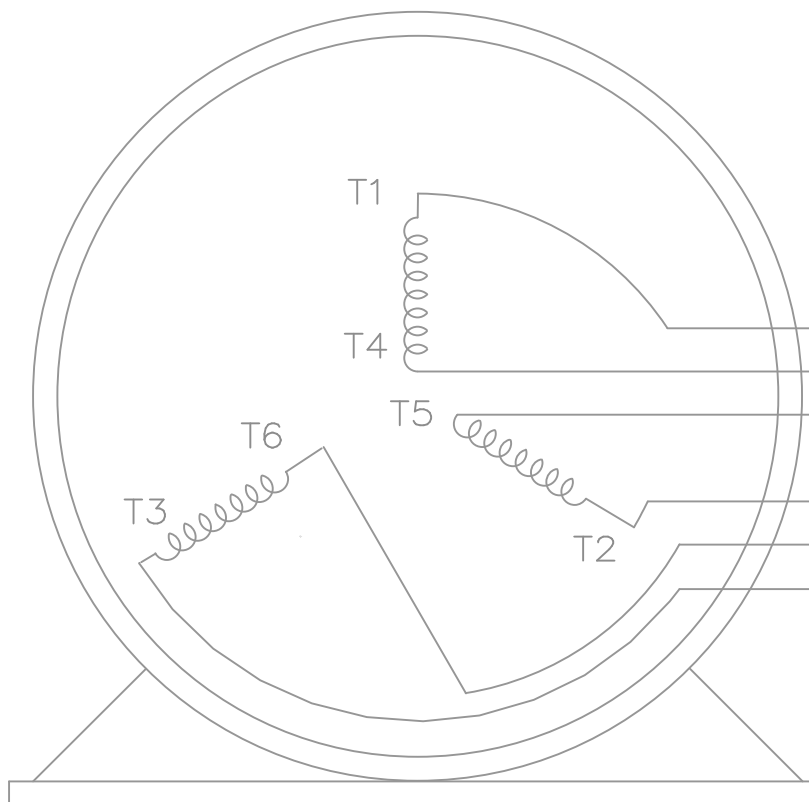
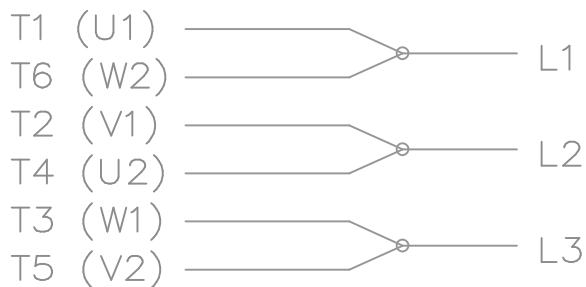
/RS  
-dictionary-  
/Pscript\_WinNT\_Compat  
-dictionary-

THREE PHASE – Y START  
Δ RUN MOTOR

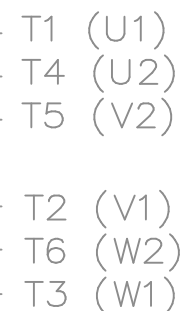
START



RUN




VIEW OF TERMINAL END



T6CK  
T6BM  
T4CC  
T2DL  
T4C

NOTE:  
IEC LEAD MARKINGS ARE NOTED  
IN PARENTHESES

			TOLERANCES UNLESS SPECIFIED			DRAWN BLR 10-04-1999			
			DEC.	INCHES		CHK DRS 10-04-1999			
			.X	±.1		APPD TB 10-04-1999			
3	REVISED TO MATCH M.E. ORIGINAL	TAT 07-25-2005	ML	.XX	±.02	TITLE CONNECTION DIAGRAM 3Ø – WYE START DELTA RUN	SCALE 1=1		
2	REVISED DRAWING MISTAKE CN 29200-2980	ERH 05-15-2003	ML	.XXX	±.005		REF		
1	NEW DRAWING	BLR 10-09-1999		.XXXX	±.0005	MAT'L.	FMF		
NO.	REVISION	BY & DATE	CHK	ANG	±7'30"	FINISH	PREV		
THIS DRAWING IN DESIGN AND DETAIL IS OUR PROPERTY AND MUST NOT BE USED EXCEPT IN CONNECTION WITH OUR WORK ALL RIGHTS OF DESIGN AND INVENTION ARE RESERVED THIS IS AN ELECTRONICALLY GENERATED DOCUMENT – DO NOT SCALE THIS PRINT			RFP	CAD FILE ee7340_In		SIZE A	DRAWING NO. EE7340-LN	PAGE OF 3	REV. 3
			DIST	WA-LB-SB					

Data Sheet

Date: 1/30/2018

LM30097



Data @ **200 V**

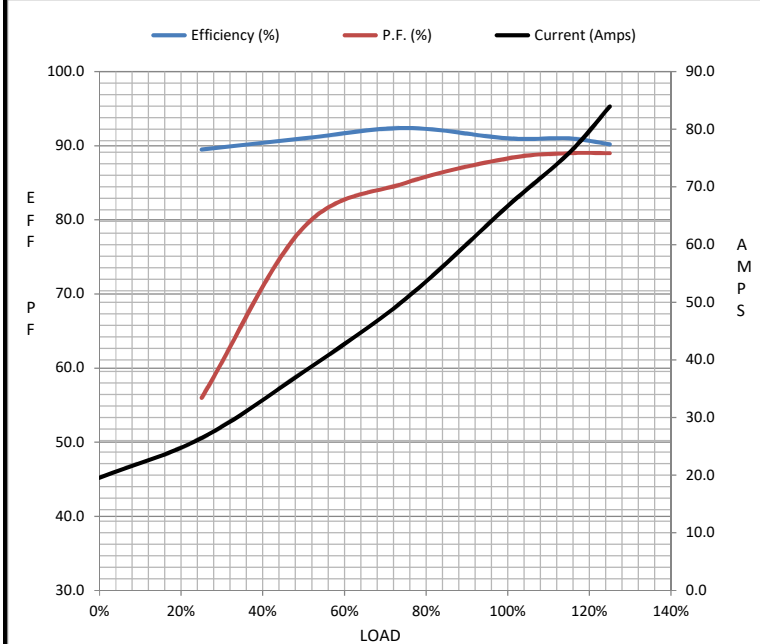
Motor Load Data

Load	0%	25%	50%	75%	100%	115%	125%	LR
Current (Amps)	19.6	26.5	38.0	50.6	66.7	75.9	84.0	419
Torque (ft-lb)	0.00	9.2	18.5	28.0	37.5	43.0	47.0	72.0
RPM	3600	3580	3565	3545	3520	3,510	3500	0
Efficiency (%)		89.5	91.0	92.4	91.0	91.0	90.2	
P.F. (%)	6.0	56.0	79.0	85.0	88.3	89.0	89.0	41.5

Motor Speed Data

	LR	Pull-Up	BD	Rated	Idle
Speed (RPM)	0	1500	3100	3520	3600
Current (Amps)	419	380	288	66.7	19.6
Torque (ft-lb)	72.0	65.0	110	37.5	0.00

Information Block				
HP	25.0			
Sync. RPM	3600			
Frame	256			
Enclosure	DP			
Construction	TDX			
Voltage	200#200 V			
Frequency	60 Hz			
Design	A			
LR Code letter	G			
Service Factor	1.15			
Temp Rise @ FL	55 °C			
Duty	60 MIN			
Ambient	40 °C			
Elevation	1,000 feet			
Rotor/Shaft wk <sup>2</sup>	0.75 Lb-Ft <sup>2</sup>			
Ref Wdg	K2152192 R3			
Sound Pressure @ 1M	78 dBA			
VFD Rating	NONE			
Outline Dwg	A-SS86503LN-1545			
Conn. Diag	A-EE7340-LN			
Additional Specifications:				
0				
0				
EQUIV CKT (OHMS / PHASE)				
R1	R2	X1	X2	Xm
0.0110	0.0090	0.0390	0.0450	1.3530



Speed - Torque Curve

