

PRODUCT INFORMATION PACKET



Model No: LM29936
Catalog No: LM29936
30 HP Variable Speed Motor, 3 phase, 1800 RPM, 230/460 V, 286T Frame, ODP
Speed Ratio Motors



Regal and Leeson are trademarks of Regal Rexnord Corporation or one of its affiliated companies.
©2021 Regal Rexnord Corporation, All Rights Reserved. MC017097E



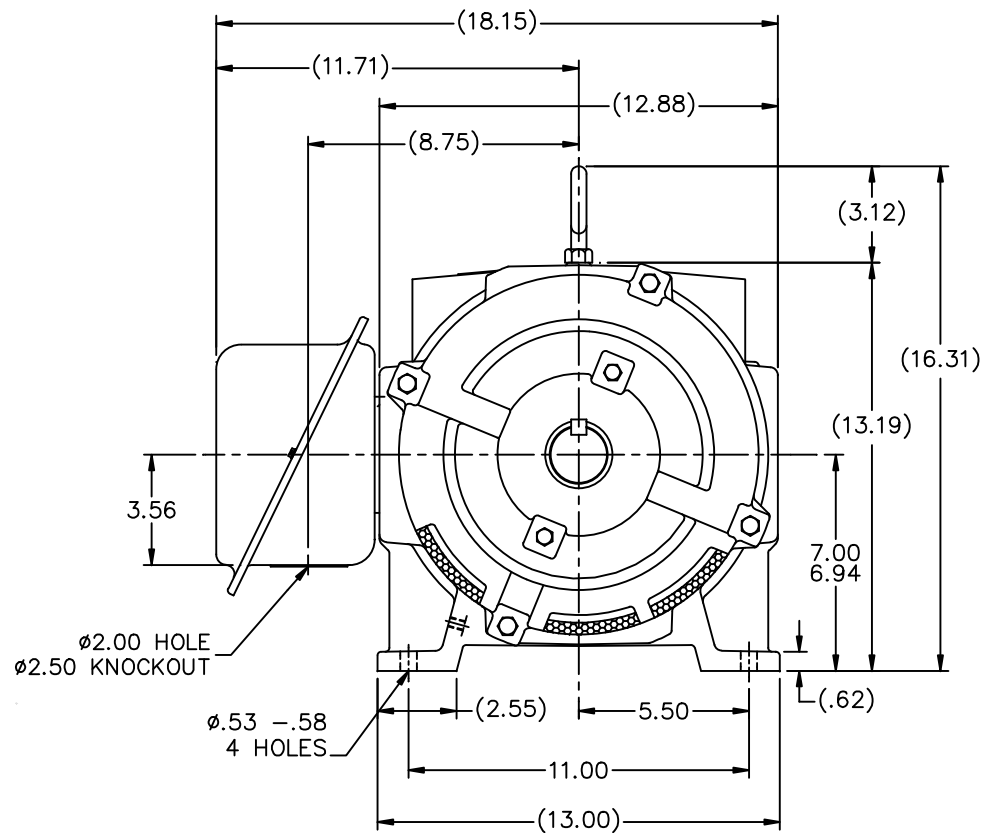
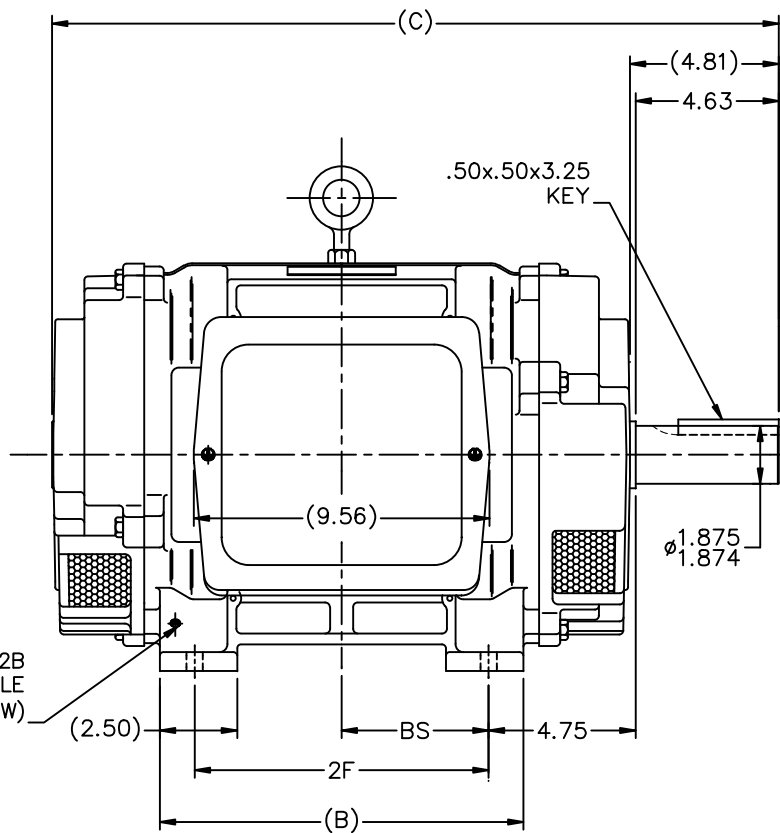


Nameplate Specifications

Output HP	30 Hp	Output KW	22.4 kW
Frequency	60 Hz	Voltage	230/460 V
Current	72.0/36.0 A	Speed	1770 rpm
Service Factor	1	Phase	3
Efficiency	92.4 %	Power Factor	84
Duty	Continuous	Insulation Class	F
Design Code	B	KVA Code	G
Frame	286T	Enclosure	Drip Proof
Thermal Protection	No	Ambient Temperature	40 °C
Drive End Bearing Size	311	Opp Drive End Bearing Size	210
UL	No	CSA	Y
CE	Y	IP Code	12
Number of Speeds	1		

Technical Specifications

Electrical Type	Squirrel Cage Inverter Duty	Starting Method	Wye Start Delta Run Or Inverter
Poles	4	Rotation	Reversible
Resistance Main	.295 Ohms	Mounting	Rigid Base
Motor Orientation	Horizontal	Drive End Bearing	Ball
Opp Drive End Bearing	Ball	Frame Material	Cast Iron
Shaft Type	T	Overall Length	24.99 in
Frame Length	14.25 in	Shaft Diameter	1.875 in
Shaft Extension	4.62 in	Assembly/Box Mounting	F1/F2 CAPABLE
Inverter Load	CONSTANT 2:1		
Connection Drawing	A-EE7358C-LN	Outline Drawing	B-SS200030LN-1425



NOTES

1. BOX CAN BE ROTATED IN 90° STEPS
2. BOX CAN BE MOUNTED ON OPPOSITE SIDE BY REMOVING BRACKETS AND TURNING FRAME 180°
3. NAMEPLATE TO BE READ FROM CONDUIT BOX SIDE OF MOTOR

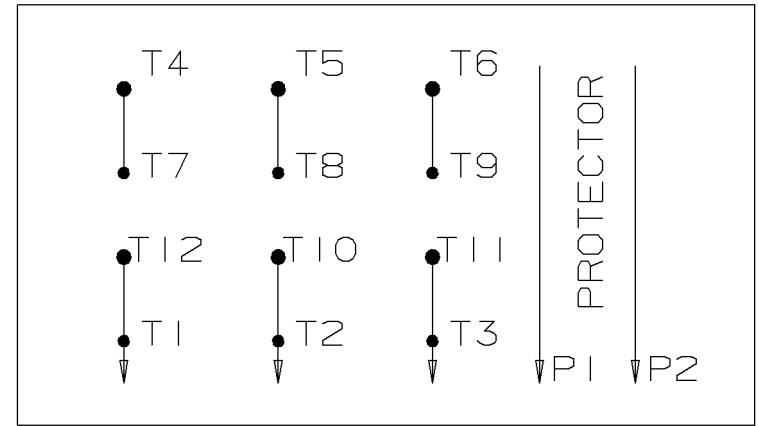
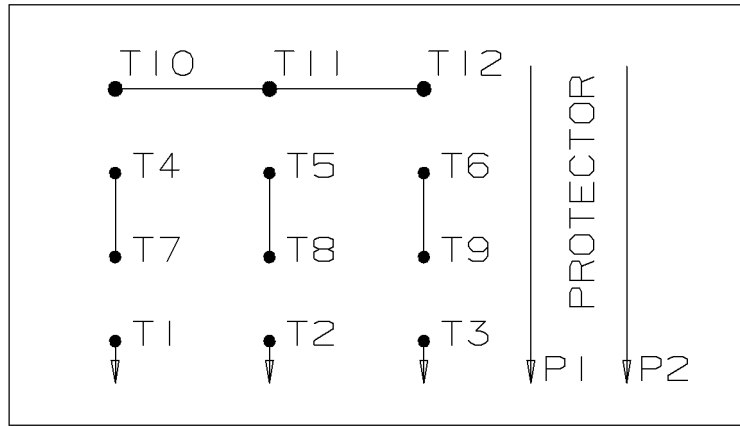
DASH	FRAME	B	C	2F	BS
1275	284T	11.75	23.49	9.50	4.75
1425	286T	13.25	24.99	11.00	5.50

		TOLERANCES UNLESS SPECIFIED		Lincoln MOTOR		DRAWN CTO 12-12-2003	
		DEC.	INCHES			CHK	ML 12-12-2003
		.X	±.1			APPD	BW 12-12-2003
		.XX	±.03	TITLE OUTLINE - DR.PR. - CAST IRON		SCALE	1=4
		.XXX	±.005	280T FR. - BB - TS - DBL. END VENT.		REF	
		.XXXX	±.0005	MAT'L		FMF	MU49135
		CHK	ANG ±7'30"	FINISH		PREV	
NO.		REVISION	BY & DATE	RFP	12-12-2003	CAD FILE	ss200030ln
THIS DRAWING IN DESIGN AND DETAIL IS OUR PROPERTY AND MUST NOT BE USED EXCEPT IN CONNECTION WITH OUR WORK ALL RIGHTS OF DESIGN AND INVENTION ARE RESERVED THIS IS AN ELECTRONICALLY GENERATED DOCUMENT - DO NOT SCALE THIS PRINT				DIST	LB	SIZE	DRAWING NO. PAGE OF REV.
				B		SS200030LN	2

WYE START

HIGH VOLTAGE

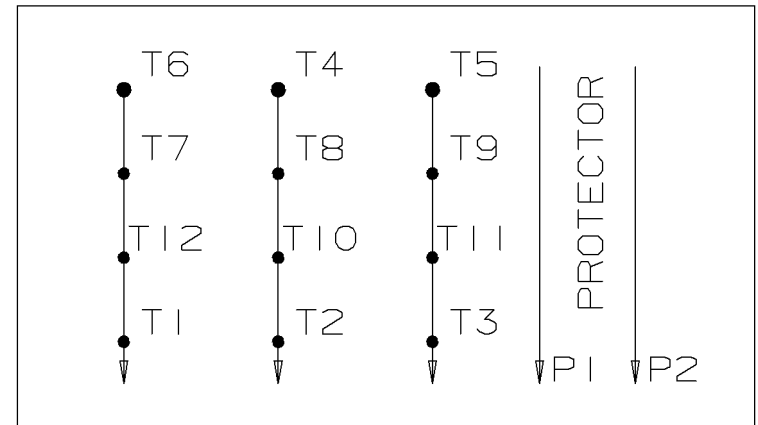
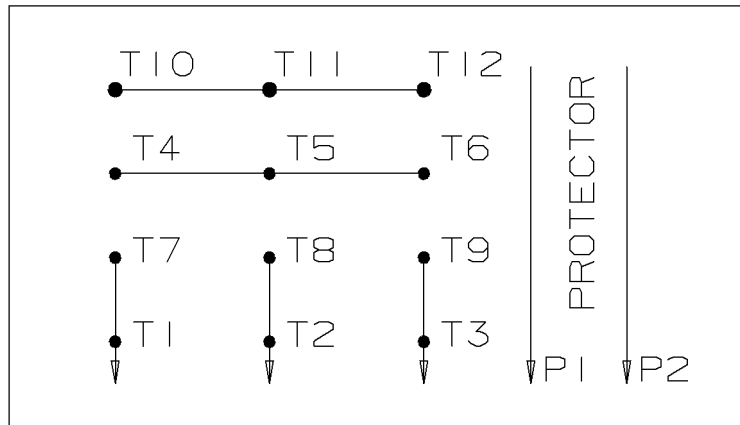
DELTA RUN




WYE START

LOW VOLTAGE

DELTA RUN



4/2 CKTY Δ

					✓ UNLESS OTHERWISE SPECIFIED DIMENSIONS ARE IN INCHES TOL. ON XX±.02 XXX±.005 XXXX±.0005 ANGLES± 7'30"	MAX. SURFACE ROUGHNESS UNLESS OTHERWISE NOTED	DRAWN BY NJS 02-15-2001 CHKD BY ML 02-16-2001
1	02-16-2001	NEW DRAWING	NJS	PART NAME CONNECTION DIAGRAM			DRWG NO A- EE7358C-LN
REV	DATE	CHANGE	NAME	PURCHASED			CADD FILE NO. EE7358C-LN



2100 WASHINGTON ST.
GRAFTON, WI
PH. 262-277-8810

CONN. DIAGRAM: A-EE7358C-LN

OUTLINE: B-SS200030LN-1425

CATALOG #: LM29936

WINDING #: K2564229 R4 2

MOUNTING: F1/F2 CAPABLE

TYPICAL MOTOR PERFORMANCE DATA

HP	kW	SYNC. RPM	F.L. RPM	FRAME	ENCLOSURE	KVA CODE	DESIGN
30	22.4	1800	1770	286T	DP	G	B

PH	Hz	VOLTS	AMPS	START TYPE	DUTY	INSL	S.F.	AMB°C
3	60	230/460	72/36	Y START D RUN OR INV	CONTINUOUS	F3	1.0	40

FULL LOAD EFF:	92.4	3/4 LOAD EFF:	93	1/2 LOAD EFF:	92.4	GTD. EFF		ELEC. TYPE	
FULL LOAD PF:	84	3/4 LOAD PF:	81	1/2 LOAD PF:	73.5	91		SQ CAGE INV DUTY	

F.L. TORQUE	LOCKED ROTOR AMPS	L.R. TORQUE	B.D. TORQUE	F.L. RISE°C
89 LB-FT	430 / 215	160 LB-FT 180 %	225 LB-FT 253 %	40

SOUND PRESSURE @ 3 FT.	SOUND POWER	ROTOR WK^2	MAX. WK^2	SAFE STALL TIME	STARTS / HOUR	APPROX. MOTOR WGT
72 dBA	82 dBA	3.3 LB-FT^2	- LB-FT^2	- SEC.	-	400 LBS.

*** SUPPLEMENTAL INFORMATION ***

DE BRACKET TYPE	ODE BRACKET TYPE	MOUNT TYPE	ORIENTATION	SEVERE DUTY	HAZARDOUS LOCATION	DRIP COVER	SCREENS	PAINT
STANDARD	STANDARD	RIGID	HORIZONTAL	FALSE	NONE	FALSE	NONE	GRAY - LINCOLN

BEARINGS		GREASE	SHAFT TYPE	SPECIAL DE	SPECIAL ODE	SHAFT MATERIAL	FRAME MATERIAL
DE	ODE						
BALL	BALL	POLYREX EM	T	NONE	NONE	1045 HOT ROLLED (C-204)	CAST IRON
311	210						

THERMO-PROTECTORS				THERMISTORS	CONTROL	SPACE HEATERS
THERMOSTATS	PROTECTORS	WDG RTDs	BRG RTDs			
TSTATS (N/C)	NOT	NONE	NONE	NONE	FALSE	NONE VOLTS

*
N
O
T
E
S
*

INVERTER TORQUE: CONSTANT 2:1
INV. HP SPEED RANGE: NONE
ENCODER: NONE NONE NONE NONE NONE PPR
BRAKE: NONE NONE NONE P/N NONE NONE NONE NONE FT-LB NONE V NONE Hz

Data Sheet

Date: 1/19/2018

LM29936



Data @ **460 V**

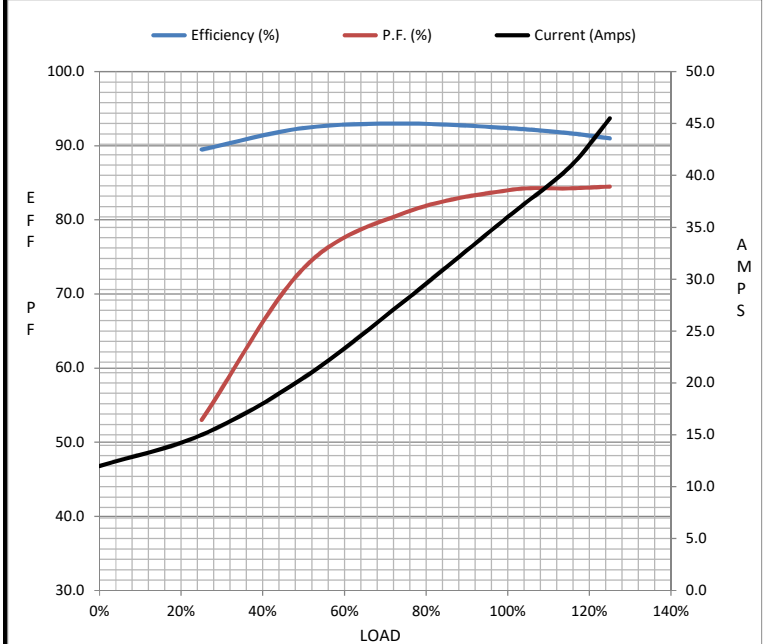
Motor Load Data

Load	0%	25%	50%	75%	100%	115%	125%	LR
Current (Amps)	12.0	15.0	20.5	28.0	36.0	40.8	45.5	215
Torque (ft-lb)	0.00	22.0	44.5	66.5	89.0	101	112	160
RPM	1800	1795	1785	1780	1770	1.766	1760	0
Efficiency (%)		89.5	92.4	93.0	92.4	91.7	91.0	
P.F. (%)	6.0	53.0	73.5	81.0	84.0	84.3	84.5	39.0

Motor Speed Data

	LR	Pull-Up	BD	Rated	Idle
Speed (RPM)	0	750	1650	1770	1800
Current (Amps)	215	175	125	36.0	12.0
Torque (ft-lb)	160	145	225	89.0	0.00

Information Block				
HP	30.0			
Sync. RPM	1800			
Frame	286			
Enclosure	DP			
Construction	TDP			
Voltage	230/460 V			
Frequency	60 Hz			
Design	B			
LR Code letter	G			
Service Factor	1.15			
Temp Rise @ FL	40 °C			
Duty	CONT			
Ambient	40 °C			
Elevation	1,000 feet			
Rotor/Shaft wk ²	3.3 Lb-Ft ²			
Ref Wdg	K2564229 R4			
Sound Pressure @ 1M	72 dBA			
VFD Rating	CONSTANT 2:1			
Outline Dwg	B-SS200030LN-1425			
Conn. Diag	A-EE7358C-LN			
Additional Specifications:				
0				
0				
EQUIV CKT (OHMS / PHASE)				
R1	R2	X1	X2	Xm
0.1700	0.1400	0.7600	1.2390	21.2850



Speed - Torque Curve

