

PRODUCT INFORMATION PACKET



Model No: LM23782
Catalog No: LM23782
2 HP Automotive Duty Motor, 3 phase, 1800 RPM, 460 V, 184UC Frame, TEFC
Automotive Duty Motors



Regal and Leeson are trademarks of Regal Rexnord Corporation or one of its affiliated companies.
©2021 Regal Rexnord Corporation, All Rights Reserved. MC017097E





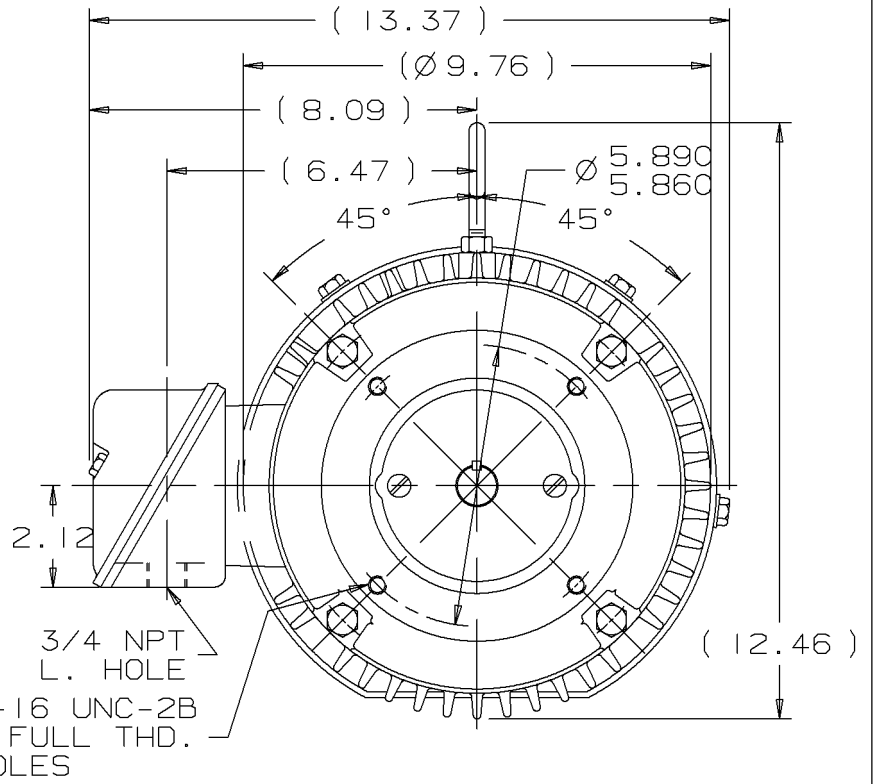
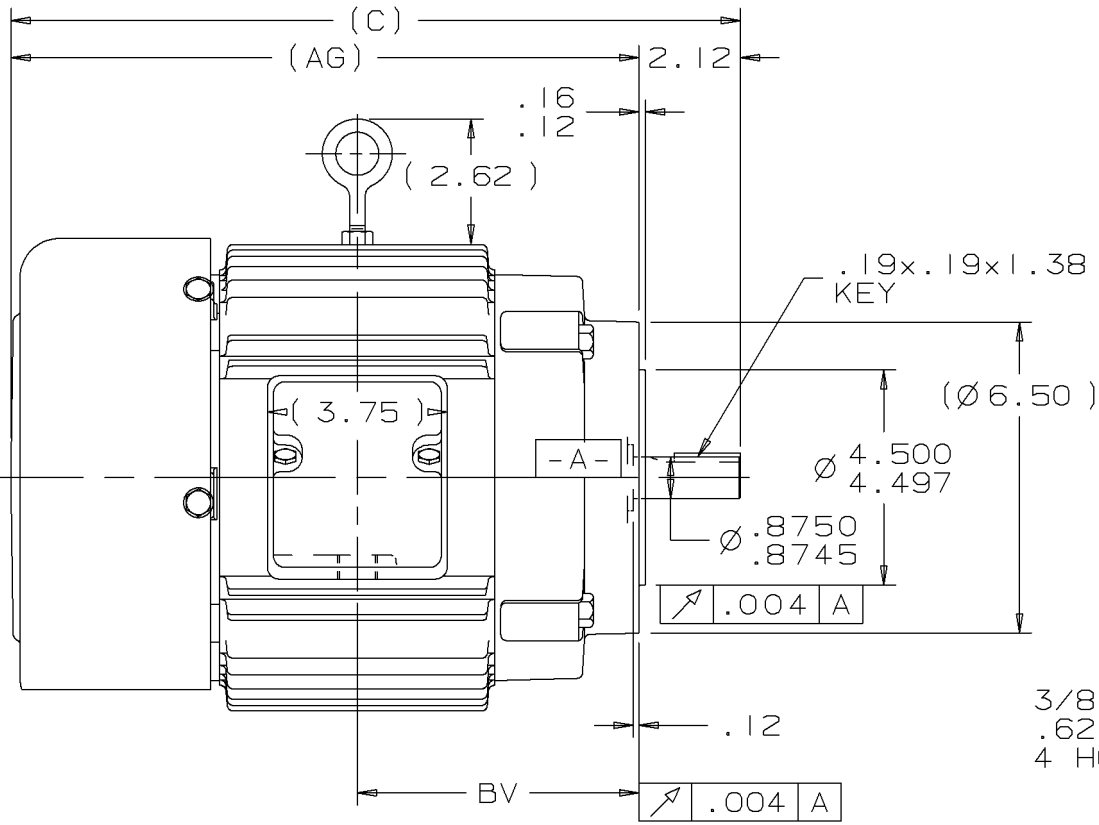
Nameplate Specifications

Output HP	2 Hp	Output KW	1.5 kW
Frequency	60 Hz	Voltage	460 V
Current	2.6 A	Speed	1765 rpm
Service Factor	1	Phase	3
Efficiency	89.5 %	Power Factor	80
Duty	Continuous	Insulation Class	F
Design Code	B	KVA Code	L
Frame	184UC	Enclosure	Totally Enclosed Fan Cooled
Thermal Protection	No	Ambient Temperature	65 °C
Drive End Bearing Size	207	Opp Drive End Bearing Size	205
UL	Recognized	CSA	Y
CE	Y	IP Code	43
Number of Speeds	1		

Technical Specifications

Electrical Type	Squirrel Cage Induction Run	Starting Method	Across The Line
Poles	4	Rotation	Reversible
Resistance Main	5.8 Ohms	Mounting	Round
Motor Orientation	Horizontal	Drive End Bearing	Ball
Opp Drive End Bearing	Ball	Frame Material	Cast Iron
Shaft Type	U	Overall Length	16.22 in
Frame Length	6.75 in	Shaft Diameter	0.875 in
Shaft Extension	2.12 in	Assembly/Box Mounting	F1/F2 CAPABLE
Outline Drawing	A-SS69019LN-675	Connection Drawing	A-EE7300-LN

This is an uncontrolled document once printed or downloaded and is subject to change without notice. Date Created:10/07/2021



DASH	FR.	C	BV	AG
575	182U	15.22	5.88	13.10
675	182/4U	16.22	6.88	14.10

- NOTES:
1. BOX CAN BE MOUNTED ON OPPOSITE SIDE BY REMOVING BRACKETS & TURNING FRAME 180°.
 2. BOX CAN BE ROTATED IN 90° STEPS.
 3. NAMEPLATE TO BE READ FROM CONDUIT BOX SIDE OF MOTOR.

				Lincoln MOTORS		✓ UNLESS OTHERWISE SPECIFIED DIMENSIONS ARE IN INCHES TOL. ON XX±.03 XXX±.005 XXXX±.0005 ANGLES± 7'30"	
						MAX. SURFACE ROUGHNESS UNLESS OTHERWISE NOTED	DRAWN BY DRS 09-01-2000
						FINISH	CHKD BY ML 09-01-2000
						MATERIAL	APPD BY TB 09-01-2000
REV	DATE	CHANGE		NAME	PART NAME	DRWG NO	
					OUTLINE	A-SS69019LN	
					180U FR. - TEFC - C-FACE		

PURCHASED

CADD FILE NO.

SS69019LN

ERROR: syntaxerror
OFFENDING COMMAND: --nostringval--

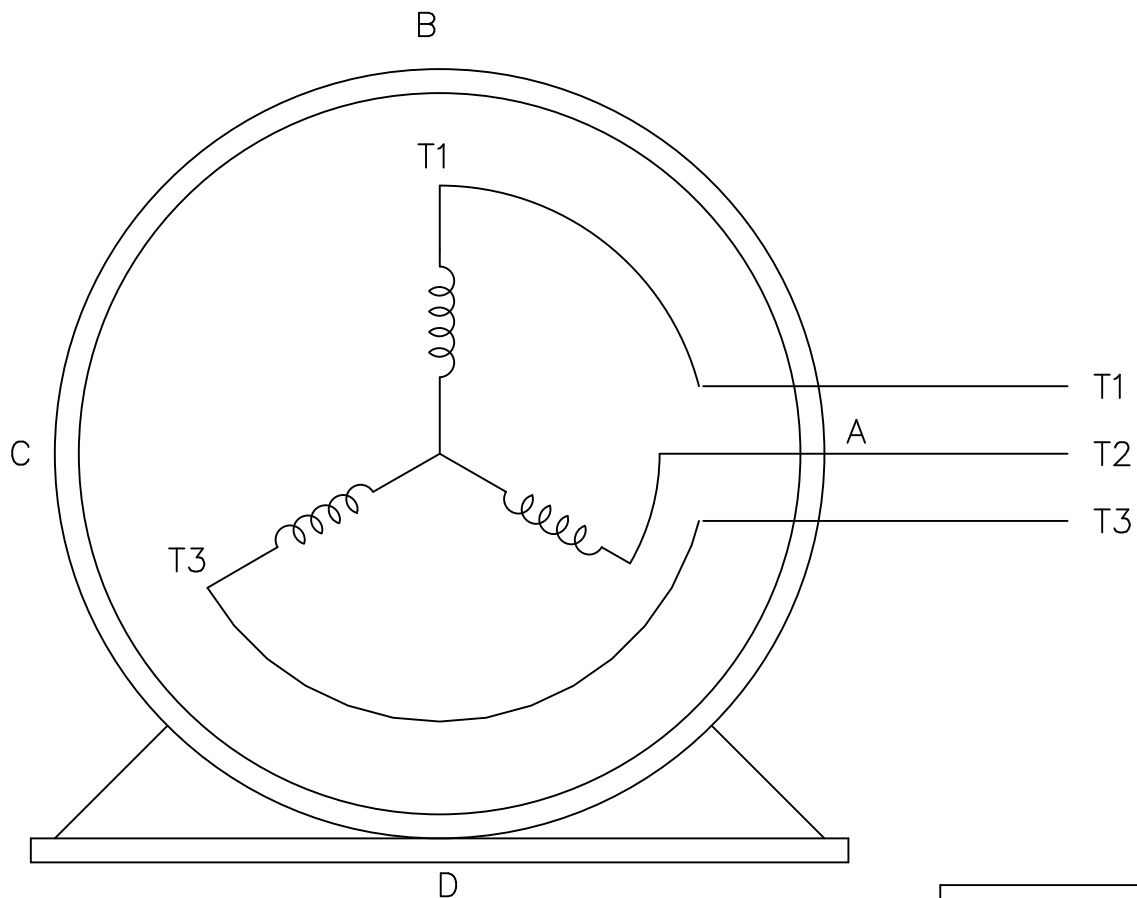
STACK:

/p2e
-savelevel-

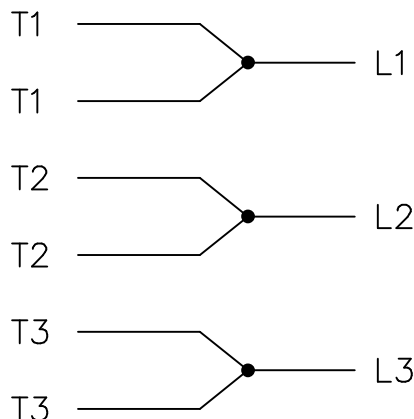
THREE PHASE – SINGLE VOLTAGE
MOTOR – CONDUIT BOX @ 'A'

EE7300-LN

TO REVERSE ROTATION:
INTERCHANGE ANY TWO LINE
LEAD CONNECTIONS




IF MOTOR HAS
6 LEADS



A-9806 DECAL

OPTIONAL CORD
CONNECTION

L1 WHITE
L2 RED
L3 BLACK

				TOLERANCES UNLESS SPECIFIED			DRAWN BLR 08-13-1999		
				DEC.	INCHES		CHK ML 08-13-1999		
				.X	±.1		APPD GK 08-13-1999		
				.XX	±.02		SCALE 1=1		
2	ADDED OPTIONAL CORD CONNECTION PER MU47226	CTO 03-31-2004	PJB	.XXX	±.005	TITLE CONNECTION DIAGRAM SINGLE VOLT – 3Ø MOTOR	REF		
1	NEW DRAWING	CTO 08-13-1999		.XXXX	±.0005		MAT'L.	FMF	
NO.	REVISION	BY & DATE	CHK	ANG	±7'30"	FINISH	PREV		
THIS DRAWING IN DESIGN AND DETAIL IS OUR PROPERTY AND MUST NOT BE USED EXCEPT IN CONNECTION WITH OUR WORK ALL RIGHTS OF DESIGN AND INVENTION ARE RESERVED THIS IS AN ELECTRONICALLY GENERATED DOCUMENT – DO NOT SCALE THIS PRINT				RFP	CAD FILE EE7300_LN		SIZE	DRAWING NO. PAGE OF	REV.
				DIST WP			A	EE7300-LN	2

P.O. BOX 8003
 WAUSAU, WI 54401-8003
 PH. 715-675-3311



DATA VOLTS: 460

CERTIFICATION DATA SHEET

CONN. DIAGRAM: A-EE7300-LN
 OUTLINE: A-SS69019LN-675
 WINDING: K1824121

CAT #: LM23782

NONE 1

TYPICAL MOTOR PERFORMANCE DATA

HP	KW	SYNC RPM	FL RPM	FRAME	ENCLOSURE	TYPE	KVA CODE	DESIGN
2	1.5	1800	1765	184UC	TEFC	TFN	L	B

PH	HZ	VOLTS	AMPS	START TYPE	DUTY	INSL	S.F.	AMB	ELEV.
3	60	460	2.6	ACROSS THE LINE	CONT	F	1.15	65	3300

F.L. EFF	89.5	3/4 LD EFF	89.5	1/2 LD EFF	87.5	GTD EFF	ELECT. TYPE
F.L. PF	80.0	3/4 LD PF	75.0	1/2 LD PF	63.0	87.5	SQ CAGE IND RUN

F.L. TORQUE	LR AMPS @ 460 V	L.R. TORQUE	B.D. TORQUE	F.L. RISE (°C)
6.0 LB-FT	24.0	14.1 LB-FT 235%	21.0 LB-FT 350%	30

PRESSURE @ 3	POWER	ROTOR WK²	MAX. LOAD WK²	SAFE STALL TIME	STARTS/HOUR	MOTOR WGT
62 dBA	71 dBA	0.40 LB-FT²	13 LB-FT²	30 SEC.	2	95 LB.

*** SUPPLEMENTAL INFORMATION ***

DE BRACKET TYPE	ODE BRACKET TYPE	MOUNT TYPE	MOTOR ORIENTATION	SEVERE DUTY	HAZARDOUS LOCATION	DRIP COVER	SCREENS	PAINT
C-FACE	STANDARD	ROUND	HORIZONTAL	NO	NONE	NO	NONE	GRAY - LINCOLN

BEARINGS		GREASE	SHAFT TYPE	SPECIAL DE	SPECIAL ODE	SHAFT MATERIAL	FRAME MATERIAL
DE	ODE	POLYREX EM	U	NONE	NONE	1144 STRESSPROOF (C-223)	CAST IRON
BALL	BALL						
207	205						

THERMOSTATS	PROTECTORS	WDG RTD's	BRG RTD's	THERMISTORS	CONTROL	SPACE HEATERS
NONE	NOT	NONE	NONE	NONE	FALSE	NA

R1 (ohms/ph)	R2 (ohms/ph)	X1 (ohms/ph)	X2 (ohms/ph)	Xm (ohms/ph)	VIBRATION (in/sec)	FLOAT
3.536	2.13	7.668	12.212	213	0.080	ODE

* N O T E S *	INVERTER TORQUE: NONE INV. HP SPEED RANGE: NONE					
	ENCODER: NONE NONE NONE					
	NONE PPR					

DATE: 2/14/2018	BRAKE: NONE NONE NONE NONE FT-LB: NA VOLTAGE: NONE HZ: UL: V-INS, CONST UL REC
-----------------	--

Data Sheet

Date: 2/1/2018

LM23782



Data @ 460 V

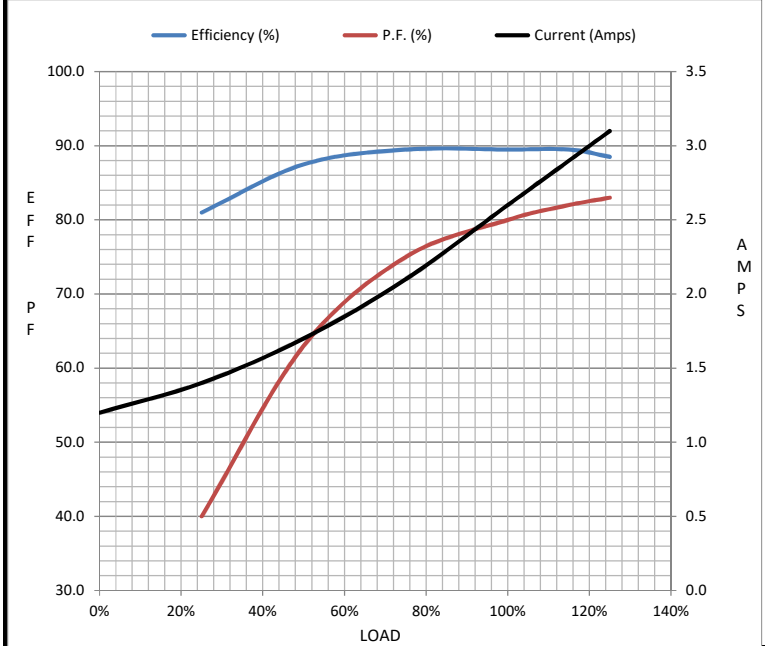
Motor Load Data

Load	0%	25%	50%	75%	100%	115%	125%	LR
Current (Amps)	1.20	1.40	1.70	2.10	2.60	2.90	3.1	24.0
Torque (ft-lb)	0.00	1.50	3.0	4.5	6.0	7.0	7.5	14.1
RPM	1800	1790	1785	1775	1765	1.760	1755	0
Efficiency (%)		81.0	87.5	89.5	89.5	89.5	88.5	
P.F. (%)	8.0	40.0	63.0	75.0	80.0	82.0	83.0	44.0

Motor Speed Data

	LR	Pull-Up	BD	Rated	Idle
Speed (RPM)	0	900	1450	1765	1800
Current (Amps)	24.0	22.0	14.0	2.60	1.20
Torque (ft-lb)	14.1	12.0	21.0	6.0	0.00

Information Block				
HP	2.0			
Sync. RPM	1800			
Frame	182			
Enclosure	TEFC			
Construction	TFN			
Voltage	460 V			
Frequency	60 Hz			
Design	A			
LR Code letter	L			
Service Factor	1.15			
Temp Rise @ FL	30 °C			
Duty	CONT			
Ambient	40 °C			
Elevation	1,000 feet			
Rotor/Shaft wk ²	0.40 Lb-Ft ²			
Ref Wdg	K1824121 NONE			
Sound Pressure @ 1M	62 dBA			
VFD Rating	NONE			
Outline Dwg	A-SS69019LN-675			
Conn. Diag	A-EE7300-LN			
Additional Specifications:				
0				
0				
EQUIV CKT (OHMS / PHASE)				
R1	R2	X1	X2	Xm
3.5360	2.1300	7.6680	12.2120	213.0000



Speed - Torque Curve

