

PRODUCT INFORMATION PACKET



Model No: LM21846
Catalog No: LM21846
10 HP Automotive Duty Motor, 3 phase, 1800 RPM, 460 V, 256UC Frame, TEFC
Automotive Duty Motors



Regal and Leeson are trademarks of Regal Rexnord Corporation or one of its affiliated companies.
©2021 Regal Rexnord Corporation, All Rights Reserved. MC017097E





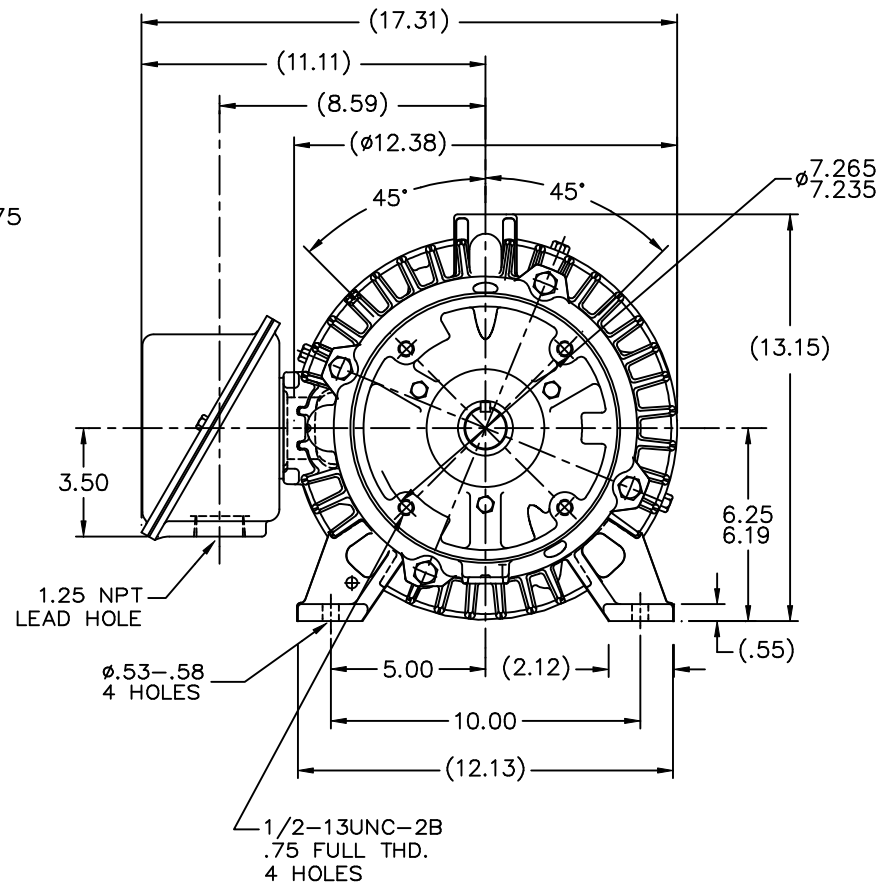
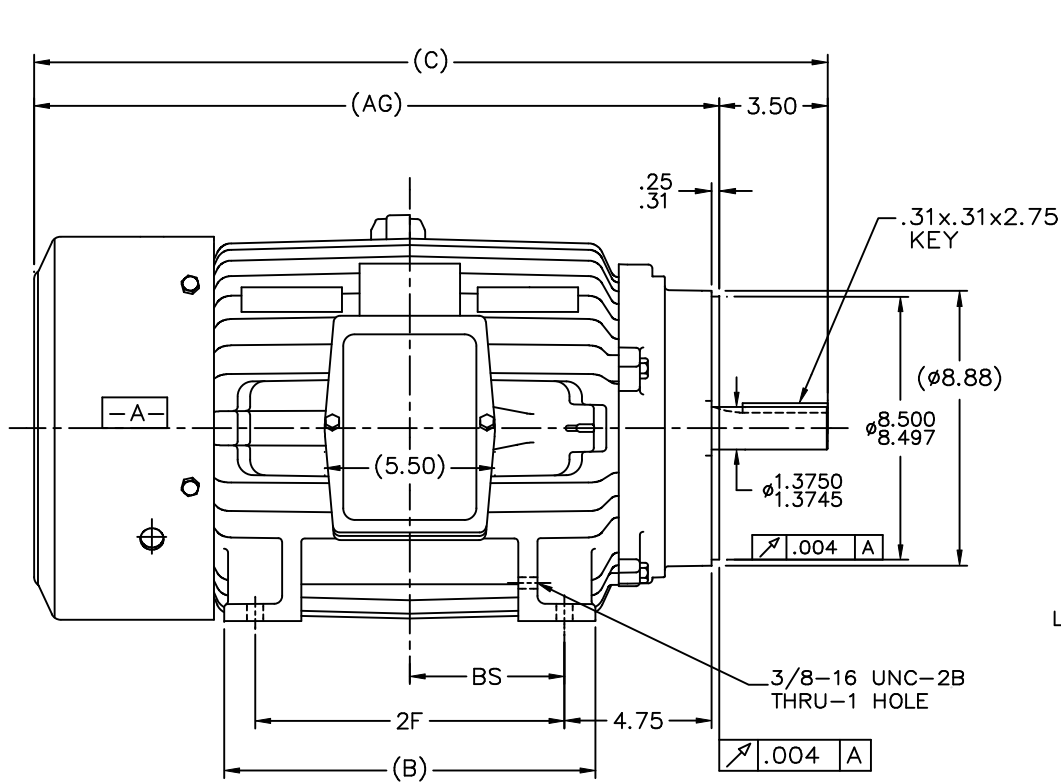
Nameplate Specifications

Output HP	10 Hp	Output KW	7.5 kW
Frequency	60 Hz	Voltage	460 V
Current	12.5 A	Speed	1765 rpm
Service Factor	1	Phase	3
Efficiency	91.7 %	Power Factor	82
Duty	Continuous	Insulation Class	F
Design Code	B	KVA Code	G
Frame	256UC	Enclosure	Totally Enclosed Fan Cooled
Thermal Protection	No	Ambient Temperature	65 °C
Drive End Bearing Size	309	Opp Drive End Bearing Size	207
UL	Recognized	CSA	Y
CE	Y	IP Code	43
Number of Speeds	1		

Technical Specifications

Electrical Type	Squirrel Cage Induction Run	Starting Method	Across The Line
Poles	4	Rotation	Reversible
Resistance Main	.894 Ohms	Mounting	Rigid Base
Motor Orientation	Horizontal	Drive End Bearing	Ball
Opp Drive End Bearing	Ball	Frame Material	Cast Iron
Shaft Type	U	Overall Length	25.64 in
Frame Length	13.50 in	Shaft Diameter	1.375 in
Shaft Extension	3.75 in	Assembly/Box Mounting	F1/F2 CAPABLE
Outline Drawing	B-SS203586LN-1350	Connection Drawing	A-EE7300-LN

This is an uncontrolled document once printed or downloaded and is subject to change without notice. Date Created:10/07/2021



- NOTES:
 1. C.BOX CAN BE ROTATED IN 90° STEPS
 2. C.BOX CAN BE MOUNTED ON OPPOSITE SIDE BY REMOVING BRACKETS AND TURNING FRAME 180°
 3. NAMEPLATES TO BE READ FROM CONDUIT BOX SIDE OF MOTOR

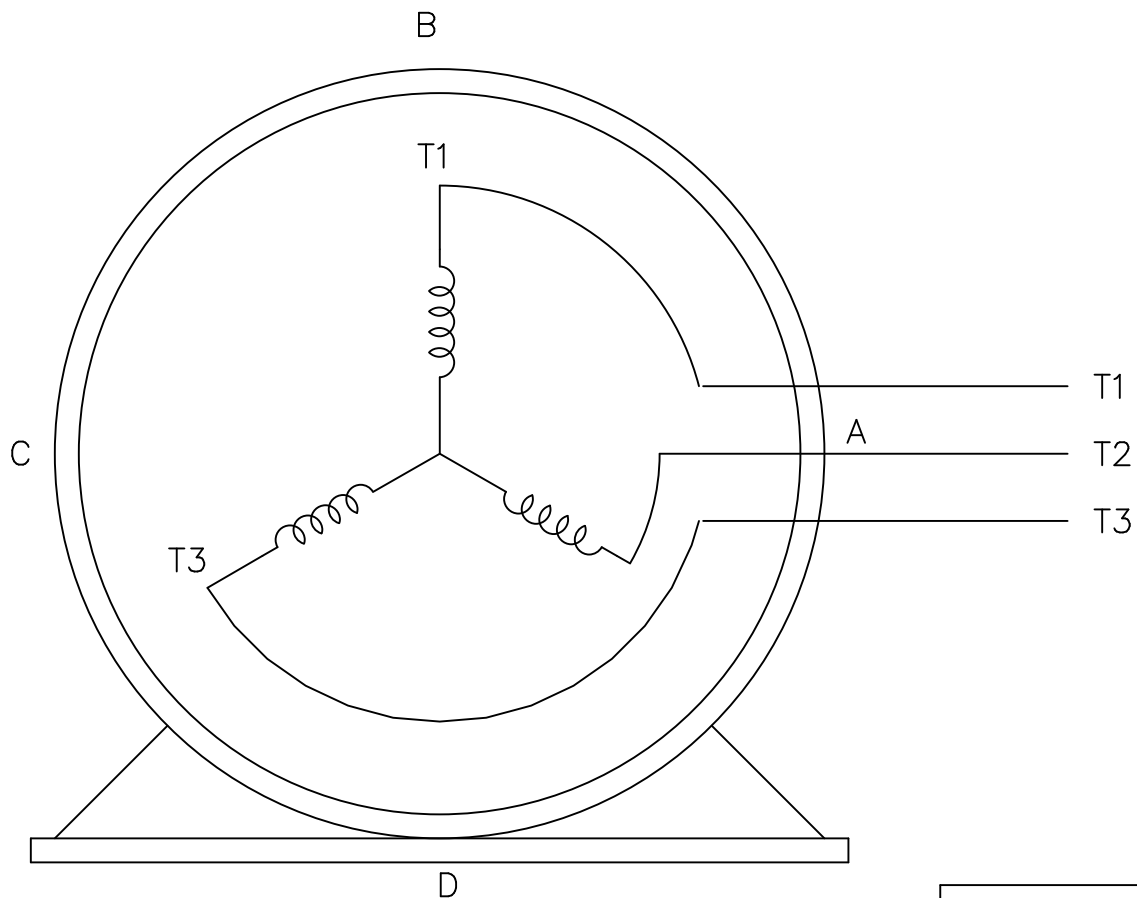
							TOLERANCES UNLESS SPECIFIED				DRAWN BJV 8/22/00			
							DEC.	INCHES			CHK ML 8/23/00	APPD TB 8/23/00		
							.X	±.1	TITLE OUTLINE - TEFC -250U FR. -BB -TS -STD.-C'FACE CAST C. BOX		SCALE 1=4			
3 CHANGED TO LINCOLN TITLE BLOCK JMS 02/07/2005							.XX	±.03			REF			
2 CHG., KEY LENGTH F-2.50 T-2.75 CN29100-4187 RWR 08-09-2004							ML	.XXX ±.005			FMF			
1 NEW DRAWING MU32889 BJW 08-23-2000							ML	.XXXX ±.0005	MAT'L		PREV			
NO. REVISION BY & DATE							CHK	ANG ±7'30"	FINISH		RFP			
THIS DRAWING IN DESIGN AND DETAIL IS OUR PROPERTY AND MUST NOT BE USED EXCEPT IN CONNECTION WITH OUR WORK ALL RIGHTS OF DESIGN AND INVENTION ARE RESERVED THIS IS AN ELECTRONICALLY GENERATED DOCUMENT - DO NOT SCALE THIS PRINT							RFP		CAD FILE ss203586ln		SIZE B	DRAWING NO. SS203586LN	PAGE 1 OF 1	REV. 3

DASH	FRAME	B	C	2F	BS	AG
1175	254U	10.25	23.89	8.25	4.12	20.39
1350	256U	12.00	25.64	10.00	5.00	22.14

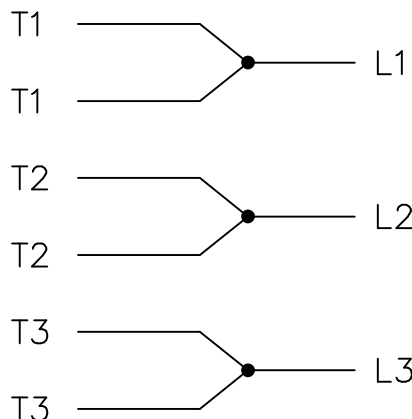
THREE PHASE – SINGLE VOLTAGE
MOTOR – CONDUIT BOX @ 'A'

EE7300-LN

TO REVERSE ROTATION:
INTERCHANGE ANY TWO LINE
LEAD CONNECTIONS




IF MOTOR HAS
6 LEADS



A-9806 DECAL

OPTIONAL CORD
CONNECTION

L1 WHITE
L2 RED
L3 BLACK

				TOLERANCES UNLESS SPECIFIED			DRAWN BLR 08-13-1999			
				DEC.	INCHES		CHK ML 08-13-1999			
				.X	±.1		APPD GK 08-13-1999			
				.XX	±.02		SCALE 1=1			
2	ADDED OPTIONAL CORD CONNECTION PER MU47226	CTO 03-31-2004	PJB	.XXX	±.005	TITLE CONNECTION DIAGRAM SINGLE VOLT – 3Ø MOTOR	REF			
1	NEW DRAWING	CTO 08-13-1999		.XXXX	±.0005		MAT'L.	FMF		
NO.	REVISION	BY & DATE	CHK	ANG	±7'30"	FINISH	PREV			
THIS DRAWING IN DESIGN AND DETAIL IS OUR PROPERTY AND MUST NOT BE USED EXCEPT IN CONNECTION WITH OUR WORK ALL RIGHTS OF DESIGN AND INVENTION ARE RESERVED THIS IS AN ELECTRONICALLY GENERATED DOCUMENT – DO NOT SCALE THIS PRINT			RFP	CAD FILE EE7300_LN			SIZE A	DRAWING NO. EE7300-LN	PAGE OF 2	REV. 2
			DIST	WP						



**2100 WASHINGTON ST.
GRAFTON, WI
PH. 262-277-8810**

CERTIFICATION DATA SHEET

CONN. DIAGRAM: A-EE7300-LN
OUTLINE: B-SS203586LN-1350
WINDING #: K2154249 R9 2

CATALOG : LM21846

MOUNTING: F1/F2 CAPABLE

TYPICAL MOTOR PERFORMANCE DATA

HP	kW	SYNC. RPM	F.L. RPM	FRAME	ENCLOSURE	KVA CODE	DESIGN
10	7.50	1800	1765	256UC	TEFC	G	B

PH	Hz	VOLTS	AMPS	START TYPE	DUTY	INSL	S.F.	AMB°C
3	60	460	12.5	ACROSS THE LINE	CONTINUOUS	F3	1.0	65

FULL LOAD EFF:	91.7	3/4 LOAD EFF:	91.7	1/2 LOAD EFF:	91	GTD. EFF	90.2	ELEC. TYPE	SQ CAGE IND RUN
FULL LOAD PF:	82	3/4 LOAD PF:	78	1/2 LOAD PF:	68				

F.L. TORQUE	LOCKED ROTOR AMPS	L.R. TORQUE	B.D. TORQUE	F.L. RISE°C
29.8 LB-FT	80	60 LB-FT 201 %	81 LB-FT 272 %	50

SOUND PRESSURE @ 3 FT.	SOUND POWER	ROTOR WK^2	MAX. WK^2	SAFE STALL TIME	STARTS / HOUR	APPROX. MOTOR WGT
62 dBA	72 dBA	1.1 LB-FT^2	192 LB-FT^2	20 SEC.	2	260 LBS.

***** SUPPLEMENTAL INFORMATION *****

DE BRACKET TYPE	ODE BRACKET TYPE	MOUNT TYPE	ORIENTATION	SEVERE DUTY	HAZARDOUS LOCATION	DRIP COVER	SCREENS	PAINT
C-FACE	STANDARD	RIGID	HORIZONTAL	FALSE	NONE	FALSE	NONE	GRAY - LINCOLN

BEARINGS		GREASE	SHAFT TYPE	SPECIAL DE	SPECIAL ODE	SHAFT MATERIAL	FRAME MATERIAL
DE	ODE						
BALL	BALL	POLYREX EM	U	NONE	NONE	1045 HOT ROLLED (C-204)	CAST IRON
309	207						

THERMO-PROTECTORS				THERMISTORS	CONTROL	SPACE HEATERS
THERMOSTATS	PROTECTORS	WDG RTDs	BRG RTDs			
NONE	NOT	NONE	NONE	NONE	FALSE	NONE VOLTS

*
N
O
T
E
S
*

CONFORMS TO GM-7EH & SATISFIES
CHRYSLER NPEM- 100 &
FORD EM-1 SPECIFICATIONS

INVERTER TORQUE: NONE
INV. HP SPEED RANGE: NONE
ENCODER: NONE
NONE NONE
NONE NONE PPR
BRAKE: NONE NONE
NONE P/N NONE
NONE NONE
NONE FT-LB NONE V NONE Hz

Data Sheet

Date: 1/31/2018

LM21846



Data @ 460 V

Motor Load Data

Load	0%	25%	50%	75%	100%	115%	125%	LR
Current (Amps)	5.0	5.5	7.5	10.0	12.5	14.0	15.5	80.0
Torque (ft-lb)	0.00	7.5	14.5	22.0	29.8	34.5	37.5	60.0
RPM	1800	1790	1785	1775	1765	1755	1750	0
Efficiency (%)		87.5	91.0	91.7	91.7	91.0	90.2	
P.F. (%)	6.5	47.0	68.0	78.0	82.0	83.5	83.5	42.0

Motor Speed Data

	LR	Pull-Up	BD	Rated	Idle
Speed (RPM)	0	900	1675	1765	1800
Current (Amps)	80.0	72.0	46.0	12.5	5.0
Torque (ft-lb)	60.0	54.0	81.0	29.8	0.00

Information Block				
HP	10.0			
Sync. RPM	1800			
Frame	256			
Enclosure	TEFC			
Construction	TFP			
Voltage	460 V			
Frequency	60 Hz			
Design	B			
LR Code letter	G			
Service Factor	1.15			
Temp Rise @ FL	50 °C			
Duty	CONT			
Ambient	40 °C			
Elevation	1,000 feet			
Rotor/Shaft wk ²	1.10 Lb-Ft ²			
Ref Wdg	K2154249 R9			
Sound Pressure @ 1M	62 dBA			
VFD Rating	NONE			
Outline Dwg	B-SS203586LN-1350			
Conn. Diag	A-EE7300-LN			
Additional Specifications:				
0				
0				
EQUIV CKT (OHMS / PHASE)				
R1	R2	X1	X2	Xm
0.5400	0.4880	2.0930	3.2090	51.1200

