

PRODUCT INFORMATION PACKET



Model No: LM21832
Catalog No: LM21832
2 HP Automotive Duty Motor, 3 phase, 1800 RPM, 460 V, 184UC Frame, TEFC
Automotive Duty Motors



Regal and Leeson are trademarks of Regal Rexnord Corporation or one of its affiliated companies.
©2021 Regal Rexnord Corporation, All Rights Reserved. MC017097E





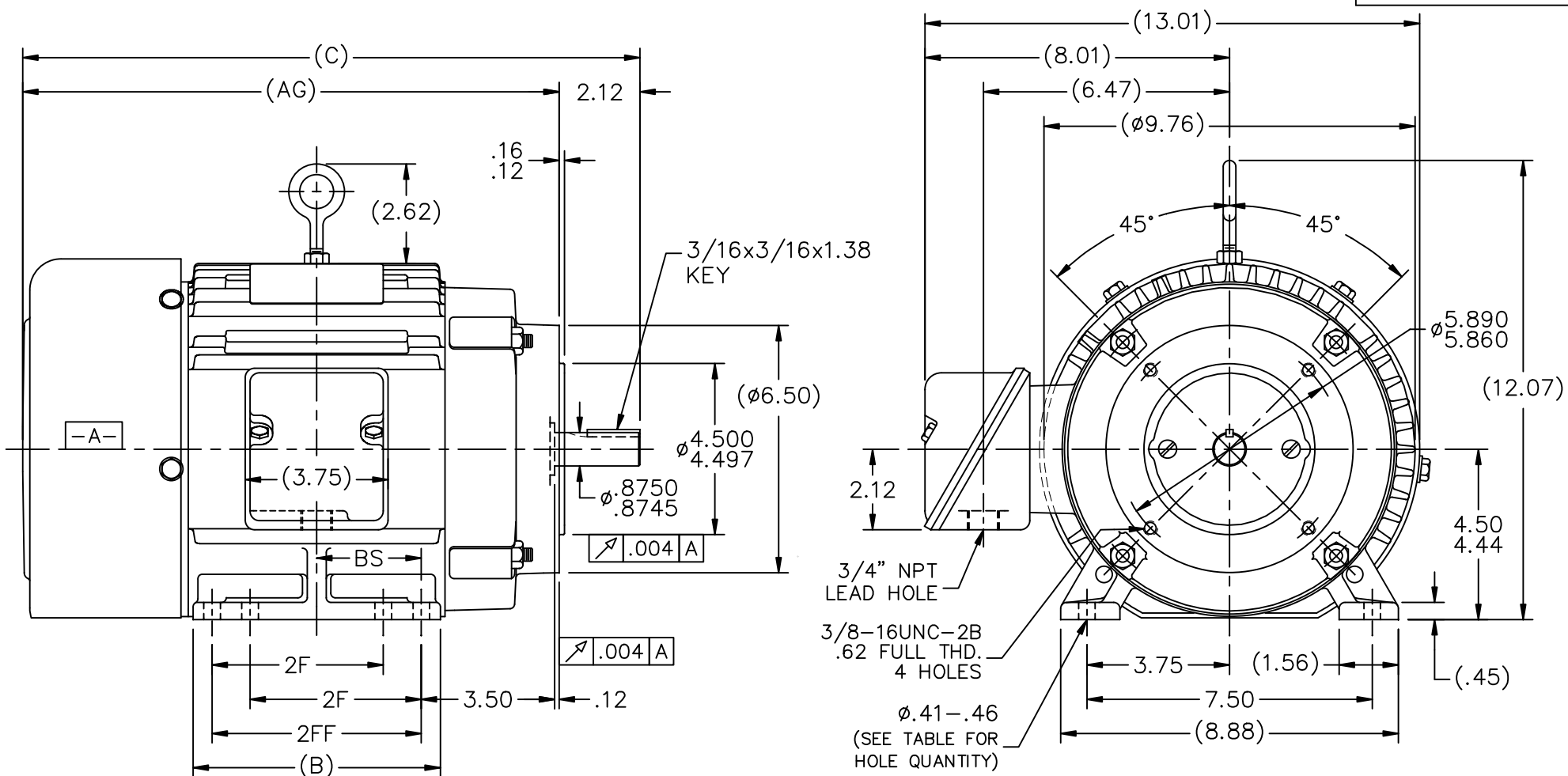
Nameplate Specifications

Output HP	2 Hp	Output KW	1.5 kW
Frequency	60 Hz	Voltage	460 V
Current	2.6 A	Speed	1765 rpm
Service Factor	1	Phase	3
Efficiency	89.5 %	Power Factor	80
Duty	Continuous	Insulation Class	F
Design Code	B	KVA Code	L
Frame	184UC	Enclosure	Totally Enclosed Fan Cooled
Thermal Protection	No	Ambient Temperature	65 °C
Drive End Bearing Size	207	Opp Drive End Bearing Size	205
UL	Recognized	CSA	Y
CE	Y	IP Code	43
Number of Speeds	1		

Technical Specifications

Electrical Type	Squirrel Cage Induction Run	Starting Method	Across The Line
Poles	4	Rotation	Reversible
Resistance Main	5.8 Ohms	Mounting	Rigid Base
Motor Orientation	Horizontal	Drive End Bearing	Ball
Opp Drive End Bearing	Ball	Frame Material	Cast Iron
Shaft Type	U	Overall Length	16.22 in
Frame Length	6.75 in	Shaft Diameter	0.875 in
Shaft Extension	2.12 in	Assembly/Box Mounting	F1/F2 CAPABLE
Connection Drawing	A-EE7300-LN	Outline Drawing	A-SS68363LN-675

This is an uncontrolled document once printed or downloaded and is subject to change without notice. Date Created:10/07/2021



- NOTES:
 1. CONDUIT BOX CAN BE ROTATED IN 90° STEPS.
 2. CONDUIT BOX CAN BE MOUNTED ON OPPOSITE SIDE BY REMOVING BRACKETS AND TURNING FRAME 180°.
 3. NAMEPLATE TO BE READ FROM CONDUIT BOX SIDE OF MOTOR.

575	182T	15.22	13.10	5.50	---	4.50	2.25	4	F1 ONLY
675	182T	16.22	14.10	6.50	4.50	5.50	2.75	8	F1 ONLY
675	184T	16.22	14.10	6.50	4.50	5.50	2.75	8	F1 OR F2
DASH	FRAME	C	AG	B	2F	2FF	BS	FOOT HOLES	MOUNTING

NO.	REVISION	BY & DATE	CHK	ANG	TOLERANCES UNLESS SPECIFIED		FINISH	DRAWN DRS 05-25-2000			
					DEC.	INCHES					
5	ADDED "2FF" COLUMN TO TABLE	MU98931	MSG	3/1/2011	SJW	.X	±.1	CHK ML 05-26-2000			
4	CHANGE "T" TO "U"	CN 30197	CTO	12-12-2000	ML	.XX	±.03	APPD TB 05-26-2000			
3	CHANGED TO CAST IRON C'BOX	CN 29200-719	CTO	08-16-2000	ML	.XXX	±.005	SCALE 1=4			
2	REVISED BASE TO 8 HOLES	CN 29200-634	MSG	07-24-2000	ML	.XXXX	±.0005	REF			
								FMF			
								PREV			
THIS DRAWING IN DESIGN AND DETAIL IS OUR PROPERTY AND MUST NOT BE USED EXCEPT IN CONNECTION WITH OUR WORK ALL RIGHTS OF DESIGN AND INVENTION ARE RESERVED THIS IS AN ELECTRONICALLY GENERATED DOCUMENT - DO NOT SCALE THIS PRINT				RFP	05-26-2000	CAD FILE SS68363LN		SIZE A	DRAWING NO. SS68363LN	PAGE OF	REV. 5

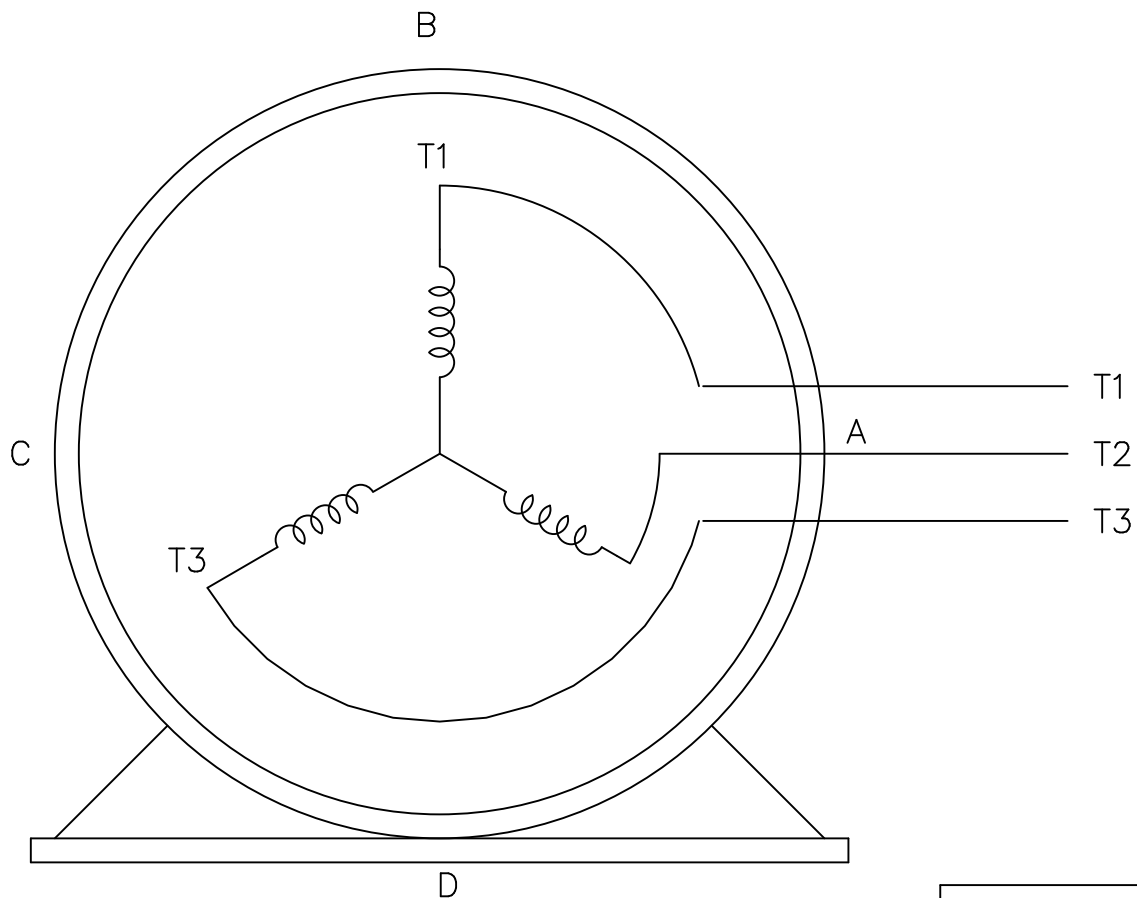


TITLE OUTLINE - TEFC - C'FACE
 180T FR. - CAST IRON C'BOX

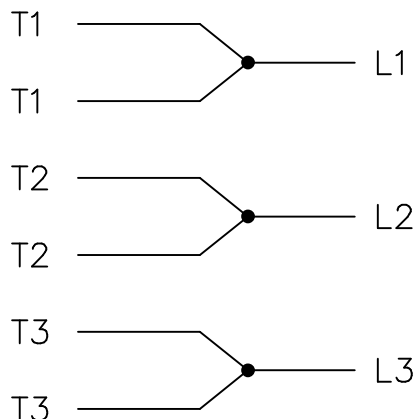
THREE PHASE – SINGLE VOLTAGE
MOTOR – CONDUIT BOX @ 'A'

EE7300-LN

TO REVERSE ROTATION:
INTERCHANGE ANY TWO LINE
LEAD CONNECTIONS




IF MOTOR HAS
6 LEADS



A-9806 DECAL

OPTIONAL CORD
CONNECTION

L1 WHITE
L2 RED
L3 BLACK

				TOLERANCES UNLESS SPECIFIED			DRAWN BLR 08-13-1999	
				DEC.	INCHES		CHK ML 08-13-1999	
				.X	±.1		APPD GK 08-13-1999	
				.XX	±.02		SCALE 1=1	
2	ADDED OPTIONAL CORD CONNECTION PER MU47226	CTO 03-31-2004	PJB	.XXX	±.005	TITLE CONNECTION DIAGRAM SINGLE VOLT – 3Ø MOTOR	REF	
1	NEW DRAWING	CTO 08-13-1999		.XXXX	±.0005		MAT'L.	FMF
NO.	REVISION	BY & DATE	CHK	ANG	±7'30"	FINISH	PREV	
THIS DRAWING IN DESIGN AND DETAIL IS OUR PROPERTY AND MUST NOT BE USED EXCEPT IN CONNECTION WITH OUR WORK ALL RIGHTS OF DESIGN AND INVENTION ARE RESERVED THIS IS AN ELECTRONICALLY GENERATED DOCUMENT – DO NOT SCALE THIS PRINT			RFP	CAD FILE EE7300_LN		SIZE	DRAWING NO. PAGE OF	REV.
			DIST WP			A	EE7300-LN	2

Data Sheet

Date: 1/30/2018

LM21832



Data @ 460 V

Motor Load Data

Load	0%	25%	50%	75%	100%	115%	125%	LR
Current (Amps)	1.20	1.40	1.70	2.10	2.60	2.90	3.1	24.0
Torque (ft-lb)	0.00	1.50	3.0	4.5	6.0	7.0	7.5	14.1
RPM	1800	1790	1785	1775	1765	1.760	1755	0
Efficiency (%)		81.0	87.5	89.5	89.5	89.5	88.5	
P.F. (%)	8.0	40.0	63.0	75.0	80.0	82.0	83.0	44.0

Motor Speed Data

	LR	Pull-Up	BD	Rated	Idle
Speed (RPM)	0	900	1450	1765	1800
Current (Amps)	24.0	22.0	14.0	2.60	1.20
Torque (ft-lb)	14.1	12.0	21.0	6.0	0.00

Information Block				
HP	2.0			
Sync. RPM	1800			
Frame	182			
Enclosure	TEFC			
Construction	TFN			
Voltage	460 V			
Frequency	60 Hz			
Design	A			
LR Code letter	L			
Service Factor	1.15			
Temp Rise @ FL	30 °C			
Duty	CONT			
Ambient	40 °C			
Elevation	1,000 feet			
Rotor/Shaft wk ²	0.40 Lb-Ft ²			
Ref Wdg	K1824121 NONE			
Sound Pressure @ 1M	62 dBA			
VFD Rating	NONE			
Outline Dwg	A-SS68363LN-675			
Conn. Diag	A-EE7300-LN			
Additional Specifications:				
0				
0				
EQUIV CKT (OHMS / PHASE)				
R1	R2	X1	X2	Xm
3.5360	2.1300	7.6680	12.2120	213.0000

