

PRODUCT INFORMATION PACKET

FASCO®

Model No: K100
Catalog No: K100
1/100 HP C-Frame / Skeleton Motor, 2850 RPM, 120 Volts, , OAO
C-Frame / Skeleton Motors



Regal and Fasco are trademarks of Regal Rexnord Corporation or one of its affiliated companies.
©2021 Regal Rexnord Corporation, All Rights Reserved. MC017097E

RegalRexnord



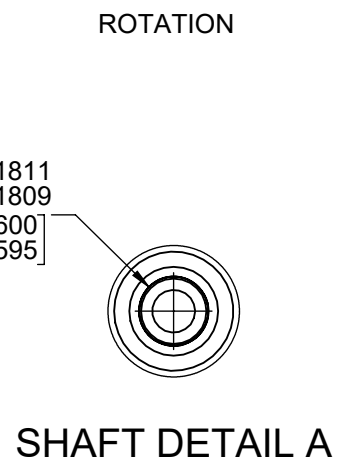
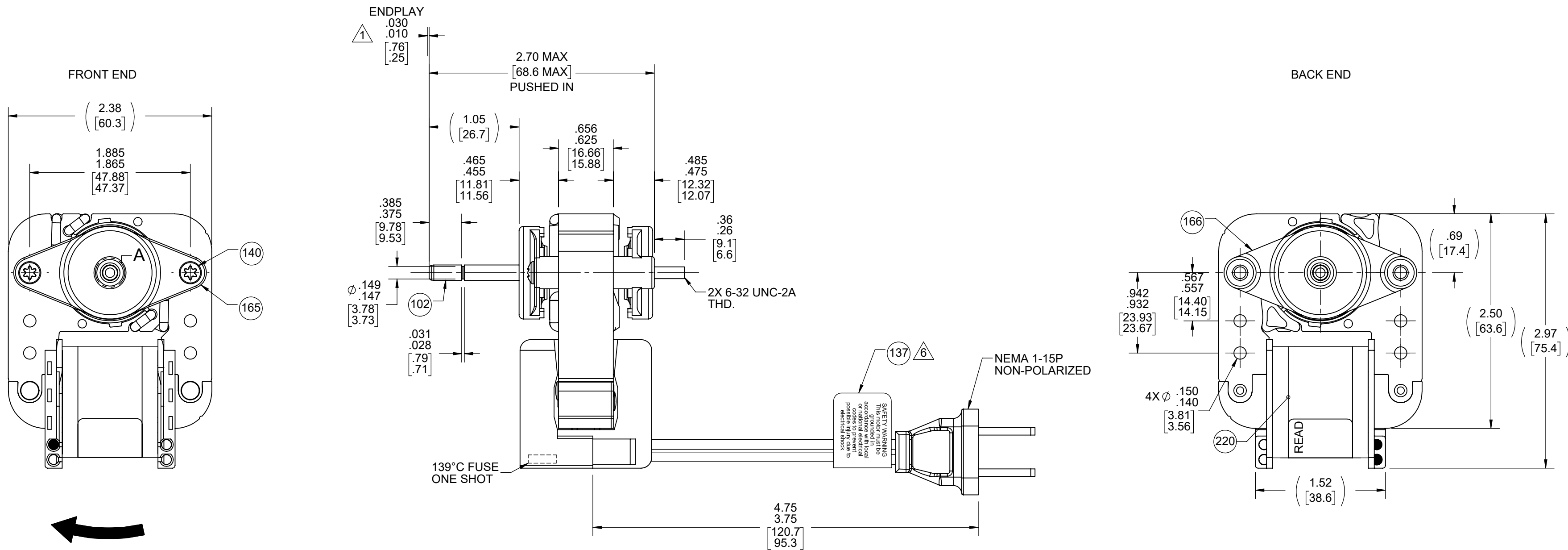
Nameplate Specifications

Output HP	1/100 Hp	Output KW	0.01 kW
Frequency	60 Hz	Voltage	120 V
Current	.73 A	Speed	2750 rpm
Service Factor	1	Phase	1
Duty	Air Over	Insulation Class	B
Frame	C-FRAME	Enclosure	Open Air Over
Thermal Protection	Thermally Protected	Ambient Temperature	40 °C
UL	Recognized	CSA	N
CE	N	Number of Speeds	1

Technical Specifications

Electrical Type	Shaded Pole	Starting Method	Across The Line
Poles	4	Rotation	Clockwise Shaft End
Mounting	Extended Studs	Drive End Bearing	Sleeve
Opp Drive End Bearing	Sleeve	Frame Material	Na
Shaft Type	Groove	Overall Length	3.07 in
Shaft Diameter	0.181 in	Shaft Extension	1.05 in
Outline Drawing	71581185	Connection Drawing	NA

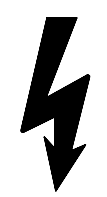
This is an uncontrolled document once printed or downloaded and is subject to change without notice. Date Created:10/11/2021



LEAD MATERIAL
18 GA. 125°C, 2/64 INSUL.
X-LINKED POLY, (2) BLACK

- NOTES:
- SHAFT EXTENSION MEASURED WITH END PLAY PUSHED IN.
 - SHIM BOTH ENDS WITH (1) PC 246 AND (1) PC 247. ADD (1) MIN. TO (4) MAX. OF PC 247 TO FRONT END ONLY AS REQUIRED TO MAINTAIN SPECIFIED ENDPLAY.
 - MOTOR MUST START AT 70 VOLTS.
 - HIPOT PER 88834420.
 - ROTOR CORE, STATOR CORE AND STATOR BAR ASSEMBLIES ARE COATED WITH TWIN EMULSION.
 - FOLD PC 137 IN HALF AROUND CORD.
 - PACK 6 PER CONTAINER, 12 CONTAINERS PER LAYER, 9 LAYERS PER PALLET, 648 MAX. AMOUNT PER PALLET. PACKING ASSEMBLY 87854178, PER 88834200 AND 88834408.
 - CARTON LABELS MUST ALL FACE ONE DIRECTION TOWARD THE OPEN END OF THE PALLET. SEE 88834408.
 - NO PACKAGING TAPE OVER CARTON LABEL.

SAFETY WARNING
This motor must be grounded in accordance with local or national electrical codes to prevent possible injury due to electrical shock



AVERTISSEMENT DE SÉCURITÉ
Ce moteur doit être fondée sur conformément à la réglementation locale ou national électrique codes pour prévenir d'éventuelles blessures en raison de choc électrique

FASCO
Model: K100
71581185
120 V 60 Hz
Ref. 1/100 HP .82 LRA
.73 FLA 2750 RPM
Max Amb 40°C AO
E64080 E48562
Class B
T.P.
Assembled in Mexico

CUSTOMER:	FASCO DIST.	APPLICATION:								
CUSTOMER PN:	K100	MOTOR WEIGHT:	1.5 LBS							
		ENVIRONMENT:	DRY							
MOTOR TYPE		REFERENCE SAMPLE								
MOTOR, C-FRAME										
B	LA	FR	A							
00	58	52	X							
TYPICAL PERFORMANCE AT 120 VOLTS 60 HZ										
MOTOR SPEED	IDLE		LOADED		LOCKED		BREAK			
	RPM	AMP	WATT	IN OZ	RPM	AMP	WATT	IN OZ	AMP	WATT
3458	.67	27	4.18	2750	.73	37	2.97	.82	43	4.68

DRAWING REVISION	REVISION BY	REV DATE/@ DATE	TOLERANCES (EXCEPT AS NOTED):	DRAWN BY	REGAL® Regal Beloit America, Inc.
AC	BAA	03/04/2021	DEC. INCH mm ANGLE	JMG	
ECO	APPROVED BY	DATE	.X ±0.1 [±3]	DATE	OUTLINE MOTOR ASSY
ECR-0207618	JMG	03/04/2021	.XX ±0.01 [±0.3]	08/22/2018	
ECO DESCRIPTION			.XXX ±0.005 [±0.13]	APPROVED BY	DESCRIPTION
UPDATED PRINT PER MARK-UPS			.XXXX ±0.0005 [±0.013]	BAA	
COPYRIGHT (PER REVISION DATE) REGAL BELOIT AMERICA, INC. ALL RIGHTS RESERVED. PROPRIETARY AND CONFIDENTIAL INFORMATION - THIS DOCUMENT IS THE PROPERTY OF REGAL BELOIT AMERICA, INC. ("OWNER") AND CONTAINS OWNER'S PROPRIETARY INFORMATION. ANY PERSON, CORPORATION OR OTHER FIRM RECEIVING IT IS DEEMED, BY RECEIVING IT, TO AGREE THAT IT, AND/OR ANY PART OF IT, SHALL NOT BE DISCLOSED TO ANY PERSON, CORPORATION OR OTHER ENTITY, DUPLICATED, AND/OR USED, EXCEPT AS EXPRESSLY APPROVED IN WRITING IN ADVANCE BY OWNER. THIS DOCUMENT SHALL BE RETURNED TO OWNER UPON REQUEST. IT MAY BE SUBJECT TO CERTAIN RESTRICTIONS UNDER APPLICABLE EXPORT CONTROL LAWS AND REGULATIONS.			REMOVE BURRS & BREAK SHARP EDGES: .003/.015 [08/38] X 45°	DATE	PROCESS/FINISH
			CORNER FILLETS: R.02 [5]	08/22/2018	
			MACHINED SURFACES: .125/ mm 3.2 INCH mm	REFERENCE	DRAWING NUMBER
			mm DIMENSIONS IN [BRACKETS] ARE FOR REFERENCE ONLY	THIRD ANGLE PROJECTION	
				SIZE	SHEET
				C	1 OF 1