

PRODUCT INFORMATION PACKET



Model No: H024ES
Catalog No: H024ES
1/3 HP General Purpose Motor, 3 phase, 1200 RPM, 230/460 V, 56C Frame, ODP
General Purpose Motors



Regal and Century are trademarks of Regal Rexnord Corporation or one of its affiliated companies.
©2021 Regal Rexnord Corporation, All Rights Reserved. MC017097E





Nameplate Specifications

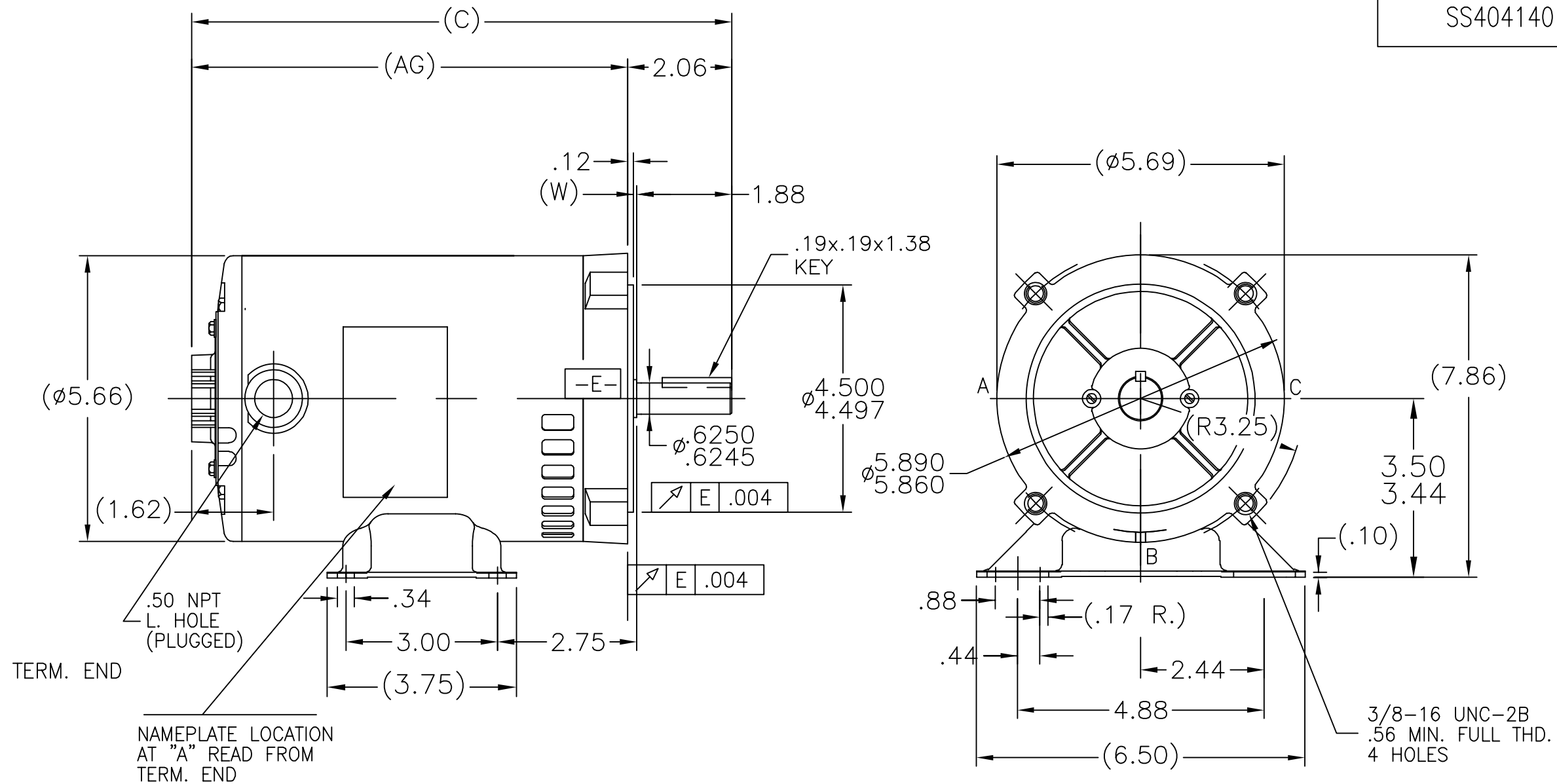
Output HP	1/3 Hp	Output KW	0.25 kW
Frequency	60/50 Hz	Voltage	230/460 V
Current	1.4/.7 A	Speed	1140 rpm
Service Factor	1.35	Phase	3
Duty	Continuous	Insulation Class	B
Frame	56C	Enclosure	Drip Proof
Thermal Protection	None	Ambient Temperature	40 °C
UL	Recognized	CSA	N
CE	Y	Number of Speeds	1

Technical Specifications

Electrical Type	Three Phase	Starting Method	Across The Line
Poles	6	Rotation	Reversible
Mounting	Rigid Base	Drive End Bearing	Ball
Opp Drive End Bearing	Ball	Frame Material	Rolled Steel
Shaft Type	Keyed	Overall Length	12.44 in
Frame Length	8.50 in	Shaft Diameter	0.625 in
Shaft Extension	2.06 in		
Connection Drawing	103014	Outline Drawing	SS404140


This is an uncontrolled document once printed or downloaded and is subject to change without notice. Date Created:10/07/2021

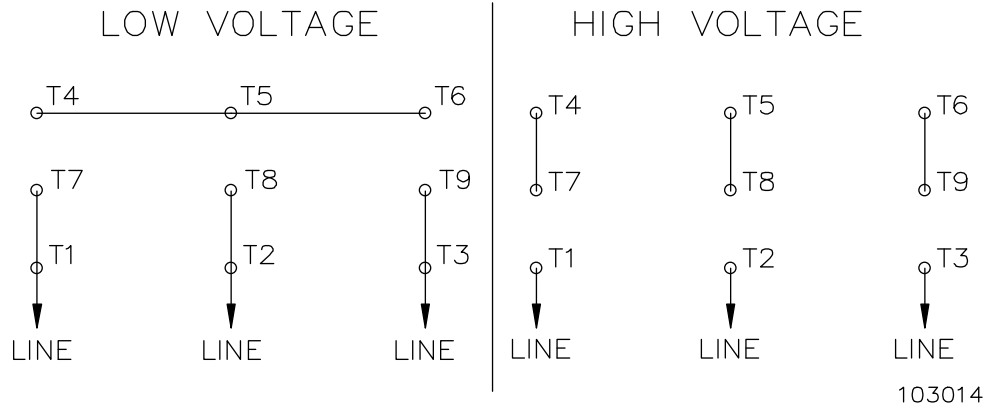
SS404140



DASH	C	AG		DASH	C	AG	
625	10.19	8.13		725	11.19	9.13	
650	10.44	8.38		750	11.44	9.38	
675	10.69	8.63		775	11.69	9.63	
700	10.94	8.88		800	11.94	9.88	
				850	12.44	10.38	

'W' = CLEARANCE ALLOWED FOR ALL VARIANCES
IN MANUFACTURING & ASSEMBLY

		TOLERANCES UNLESS SPECIFIED		 Regal Beloit America, Inc.	DRAWN PVR 01/02/15		
		DEC.	INCHES		CHK SM 01/02/15	APPD	
		.X	±.1	TITLE OUTLINE	SCALE 3=8		
		.XX	±.03		REF SS404135		
		.XXX	±.005		FMF		
1	ADDED DASH# 850	SAJ	1/19/15	PI	.XXXX ±.0005	MAT'L.	PREV
NO.	REVISION	BY & DATE	CHK	ANG	±7'30"	FINISH	
THIS DRAWING IN DESIGN AND DETAIL IS OUR PROPERTY AND MUST NOT BE USED EXCEPT IN CONNECTION WITH OUR WORK ALL RIGHTS OF DESIGN AND INVENTION ARE RESERVED THIS IS AN ELECTRONICALLY GENERATED DOCUMENT - DO NOT SCALE THIS PRINT				RFP	CAD FILE SS404140	SIZE A	DRAWING NO. PAGE 1 OF 1 REV. 1
				DIST WP			SS404140 1



TO REVERSE ROTATION, INTERCHANGE ANY TWO LINE LEADS

PLATE: 41365

SLOT: 22

			TOLERANCES UNLESS SPECIFIED			DRAWN TOM 08-14-1989					
			DEC.	INCHES		CHK	ML 08-14-1989				
			.X	±.1		APPD	GK 08-14-1989				
4	ADDED REVERSAL NOTE	SVL 10-14-2013	.XX	±.02	TITLE CONNECTION DIGRAM			SCALE 1=1			
3	REDRAWN IN AUTOCAD	TAT 09-16-2004	ML .XXX	±.005				REF			
2	REDRAWN - NEW FORMAT	TOM 08-14-1989	.XXXX	±.0005	MAT'L.	FMF					
NO.	REVISION	BY & DATE	CHK	ANG	±7'30"	FINISH	PREV				
THIS DRAWING IN DESIGN AND DETAIL IS OUR PROPERTY AND MUST NOT BE USED EXCEPT IN CONNECTION WITH OUR WORK ALL RIGHTS OF DESIGN AND INVENTION ARE RESERVED THIS IS AN ELECTRONICALLY GENERATED DOCUMENT - DO NOT SCALE THIS PRINT			RFP	CAD FILE 103014			SIZE	DRAWING NO.	PAGE	OF	REV.
			DIST	WP				A	103014		4