

PRODUCT INFORMATION PACKET

FASCO®

Model No: EM1127
Catalog No: EM1127
1/12 HP Refrigeration Motor, 1550 RPM, 115/230 Volts, 3.3" Diameter, OAO
Refrigeration Motors



Regal and Fasco are trademarks of Regal Rexnord Corporation or one of its affiliated companies.
©2021 Regal Rexnord Corporation, All Rights Reserved. MC017097E

RegalRexnord



Nameplate Specifications

Output HP	1/12 Hp	Output KW	0.06 kW
Frequency	60 Hz	Voltage	115/230 V
Current	1.10/0.60 A	Speed	1550 rpm
Service Factor	1	Phase	1
Duty	Air Over	Insulation Class	B
Frame	3.3	Enclosure	Open Air Over
Thermal Protection	Thermally Protected	Ambient Temperature	40 °C
UL	Recognized	CSA	N
CE	N	Number of Speeds	1

Technical Specifications

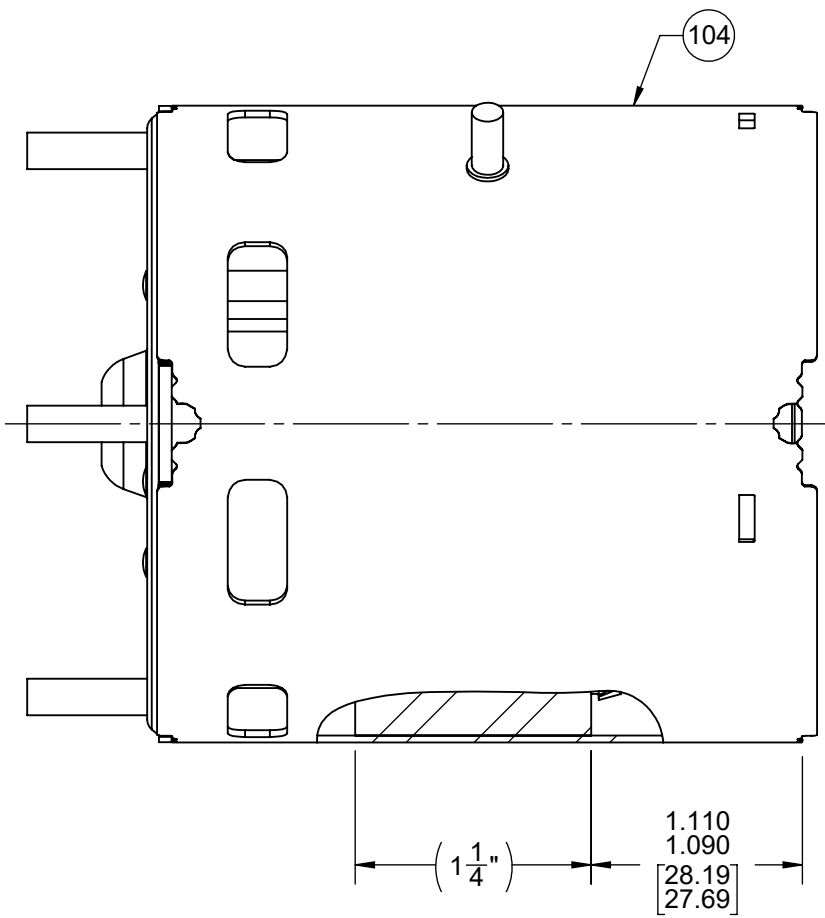
Electrical Type	Permanent Split Capacitor	Starting Method	Across The Line
Poles	4	Rotation	Reversible
Mounting	Extended Studs	Drive End Bearing	Sleeve
Opp Drive End Bearing	Sleeve	Frame Material	Steel
Shaft Type	Flat	Overall Length	6.87 in
Frame Length	3.32 in	Shaft Diameter	0.312 in
Shaft Extension	3.00 in		
Outline Drawing	71903454C	Connection Drawing	61304676M

This is an uncontrolled document once printed or downloaded and is subject to change without notice. Date Created:10/11/2021

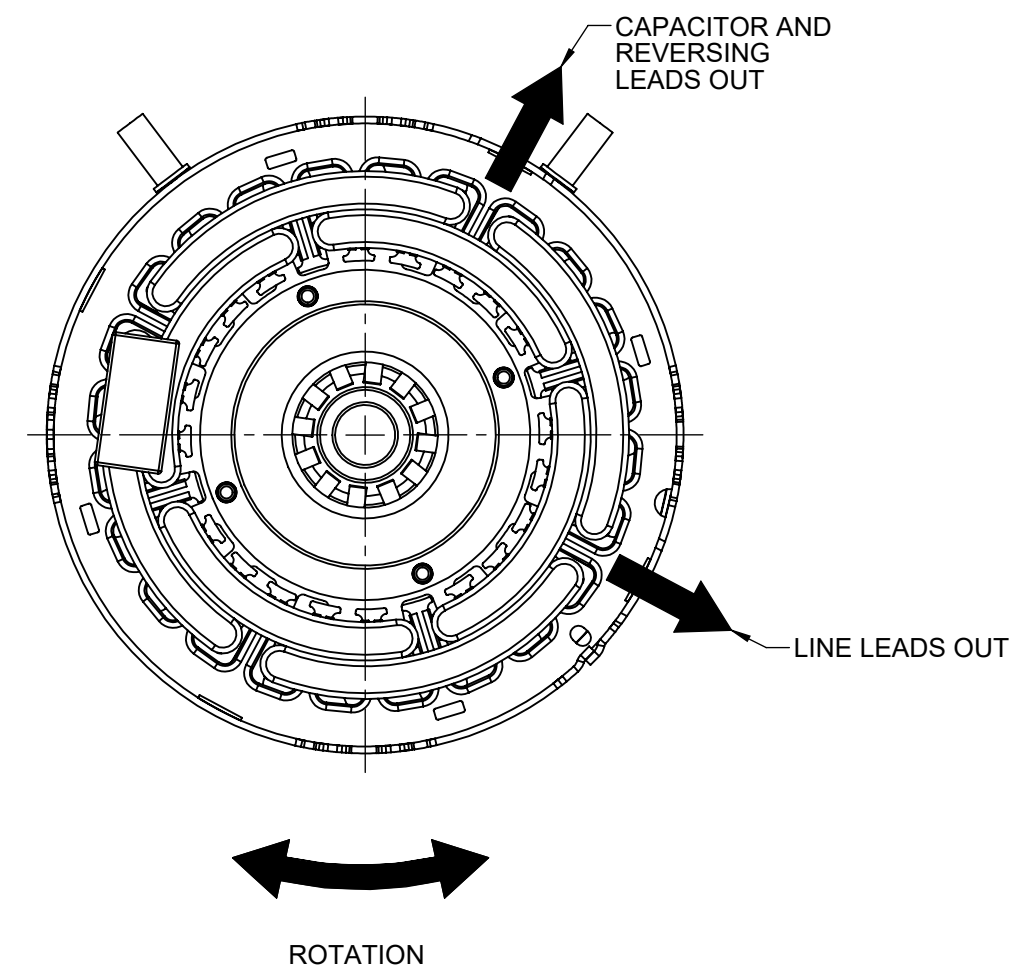
NOTES:

- 1. STAKE STATOR TO MAIN FRAME PER 88830264.
- 2. MAXIMUM TORQUE REQUIRED TO TURN MOTOR SHAFT IS 3/8 INCH-OUNCE.
- 3. MAKE-UP WASHERS ARE TO BE ADDED OR DELETED TO ACHIEVE REQUIRED ENDPLAY.
- 4. BRING LINE LEADS DIRECTLY OUT LEAD EXIT. IGNORE POSITION OF OTHER LEADS, THEY WILL ROTATE BACK TO THEIR LEAD EXIT.

FRONT END



BACK END



PACKING SPECIFICATIONS

- 1. PACK 1 PER CONTAINER, 400 MAX. PER PALLET.
- 2. PLACE FOAM RING ON BACK END OF MOTOR AND FILLER TUBE OVER SHAFT EXTENSION. PLACE MOTOR IN CARTON AND STUFF PAPER AROUND MOTOR TO PREVENT MOVEMENT DURING SHIPPING.
- 3. PLACE CARTON LABEL ON SHAFT END OF CARTON AND PLACE ON PALLET WITH LABELED END OUT AND VISIBLE FOR STORAGE PER 88834408.

DRAWING REVISION AC	REVISION BY MLS	REV DATE/DATE 9/16/2021	TOLERANCES (EXCEPT AS NOTED): DEC. INCH mm ANGLE	DRAWN BY SED	Regal Beloit America, Inc.
REQUEST NUMBER ECR-0212493	APPROVED BY SDM	DATE 9/16/2021	.X ±0.1 [±3] ±1° .XX ±0.01 [±0.3] .XXX ±0.005 [±0.13] .XXXX ±0.0005 [±0.013]	DATE 3/11/2019	
REQUEST NUMBER DESCRIPTION UPDATED NAMEPLATE LABEL			REMOVE BURRS & BREAK SHARP EDGES: .003/.015 [.08/.38] X 45° CORNER FILLETS: R.02 [5] MACHINED SURFACES: .125/ mm 3.2 INCH/mm	APPROVED BY MLS	DESCRIPTION OUTLINE MOTOR ASSY
COPYRIGHT (PER REVISION DATE) REGAL BELOIT AMERICA, INC. ALL RIGHTS RESERVED. PROPRIETARY AND CONFIDENTIAL INFORMATION - THIS DOCUMENT IS THE PROPERTY OF REGAL BELOIT AMERICA, INC. ("OWNER") AND CONTAINS OWNER'S PROPRIETARY INFORMATION. ANY PERSON, CORPORATION OR OTHER FIRM RECEIVING IT IS DEEMED, BY RECEIVING IT, TO AGREE THAT IT, AND/OR ANY PART OF IT, SHALL NOT BE DISCLOSED TO ANY PERSON, CORPORATION OR OTHER ENTITY, DUPLICATED, AND/OR USED, EXCEPT AS EXPRESSLY APPROVED IN WRITING IN ADVANCE BY OWNER. THIS DOCUMENT SHALL BE RETURNED TO OWNER UPON REQUEST. IT MAY BE SUBJECT TO CERTAIN RESTRICTIONS UNDER APPLICABLE EXPORT CONTROL LAWS AND REGULATIONS.			mm DIMENSIONS IN [BRACKETS] ARE FOR REFERENCE ONLY	DATE 3/11/2019	MATERIAL
				REFERENCE	PROCESS/FINISH
				THIRD ANGLE PROJECTION	SIZE C
				DRAWING NUMBER 71903454C	SHEET 2 OF 2