

PRODUCT INFORMATION PACKET

Model No: E56Y22TFC2051

Catalog No: S1203

1-1 1/2,850/1025/1140,TEAO,56Y,3/60/200-230

Permanent Magnet (PMAC) Motors



Regal and Marathon are trademarks of Regal Rexnord Corporation or one of its affiliated companies.
©2021 Regal Rexnord Corporation, All Rights Reserved. MC017097E

Nameplate Specifications

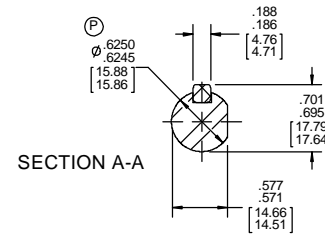
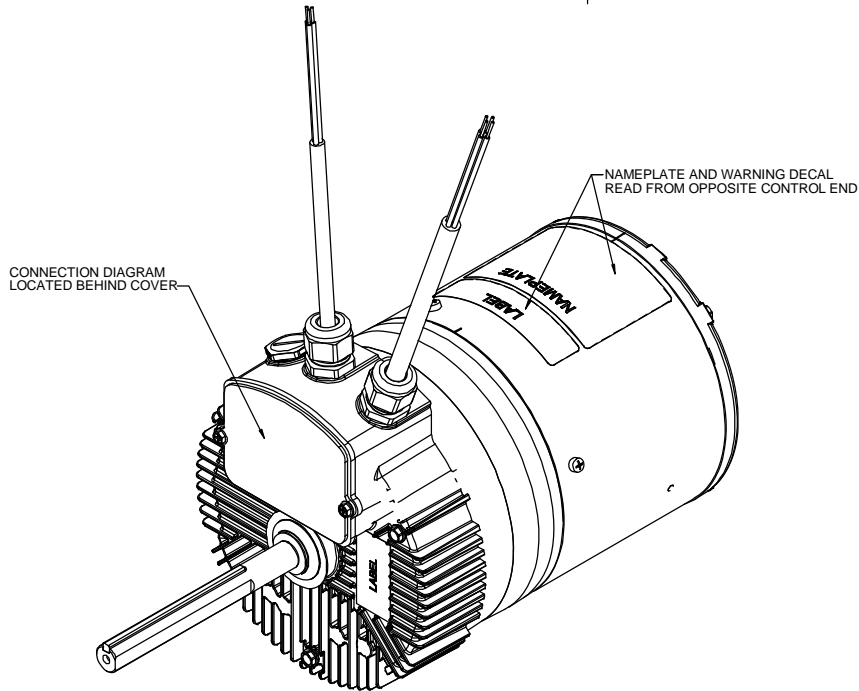
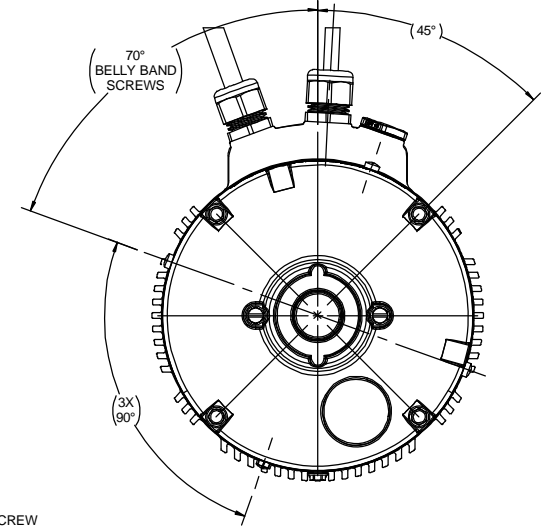
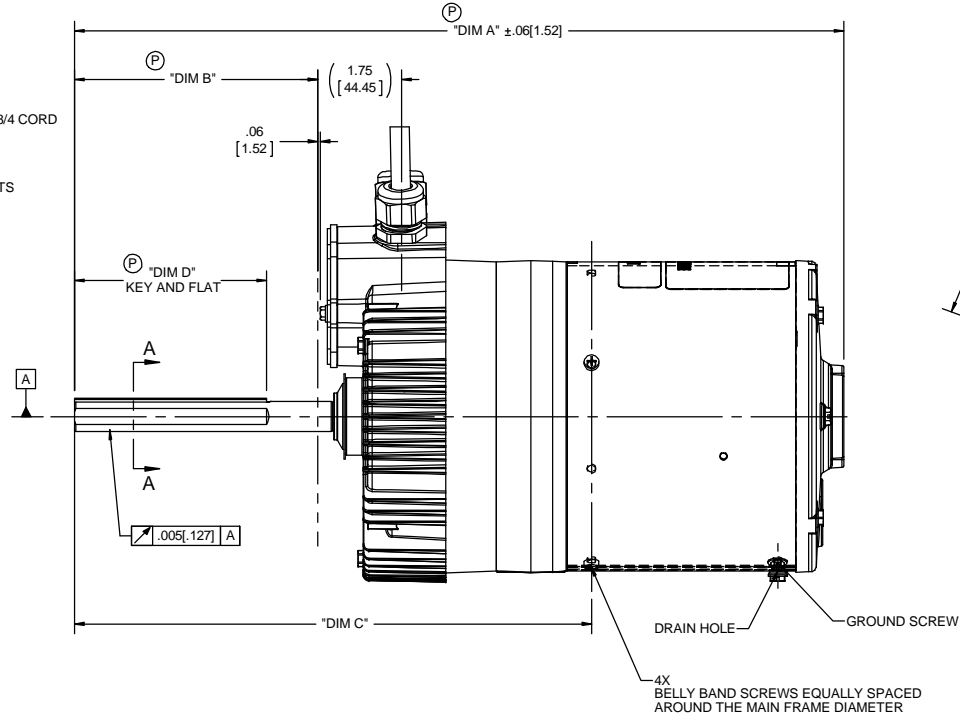
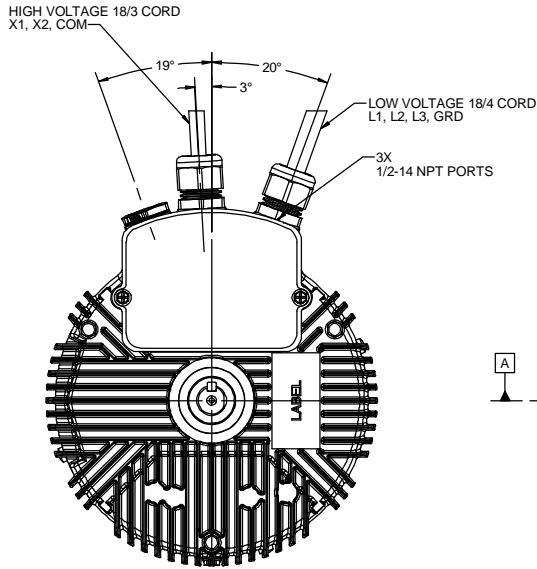
Output HP	1.50 Hp	Output KW	1.1 kW
Frequency	60 Hz	Voltage	200-230 V
Current	4.2-3.9 A	Speed	1140 rpm
Service Factor	1	Phase	3
Efficiency	86.2 %	Power Factor	85
Duty	Continuous	Insulation Class	F
Design Code	No Design Code	KVA Code	N/A
Frame	56	Enclosure	Totally Enclosed Air Over
Thermal Protection	No	Ambient Temperature	60 °C
Drive End Bearing Size	205	Opp Drive End Bearing Size	205
UL	Recognized	CSA	Y
CE	N	IP Code	54
Number of Speeds	1		

Technical Specifications

Electrical Type	AC Permanent Magnet	Starting Method	Inverter Only
Poles	10	Rotation	Reversible
Resistance Main	0 Ohms	Mounting	Round
Motor Orientation	Shaft Up	Drive End Bearing	Ball
Opp Drive End Bearing	Ball	Frame Material	Rolled Steel
Shaft Type	NEMA 56	Overall Length	16.52 in
Frame Length	5.25 in	Shaft Diameter	0.625 in
Shaft Extension	5.06 in	Assembly/Box Mounting	F1/F2 CAPABLE
Connection Drawing	214-0115	Outline Drawing	D0000834-001

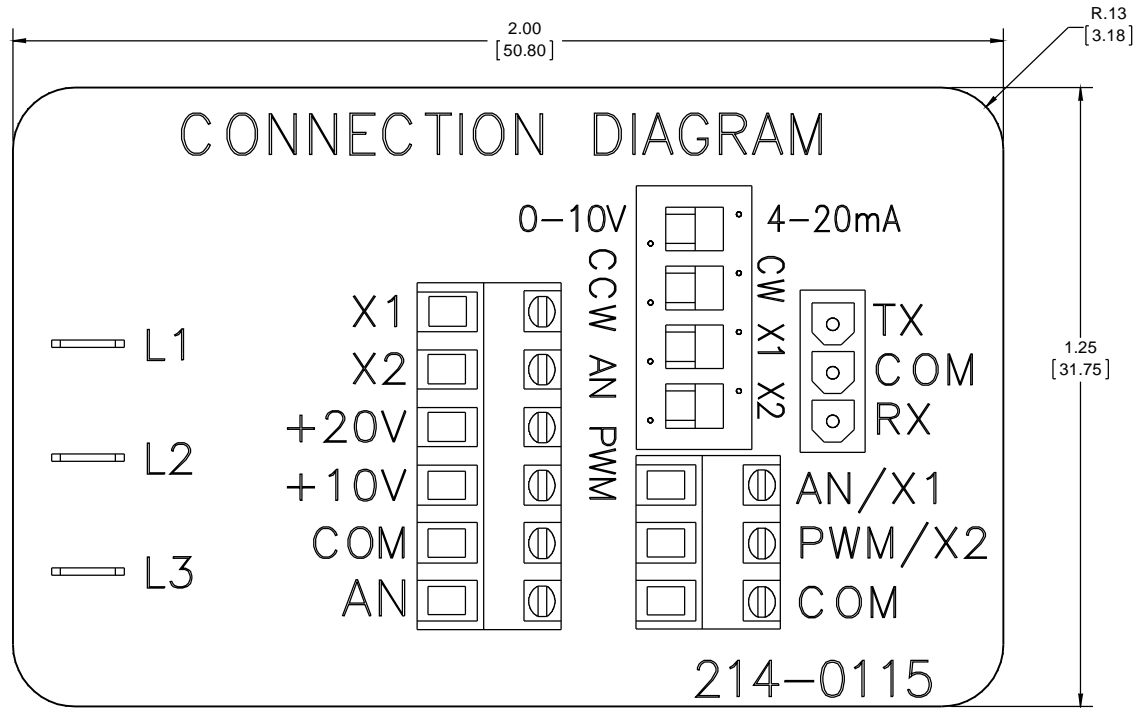
This is an uncontrolled document once printed or downloaded and is subject to change without notice. Date Created:10/06/2021

PART NUMBER SUFFIX	"DIM A"	"DIM B"	"DIM C"	"DIM D"
-001	16.52 [419.72]	5.06 [128.64]	10.77 [273.67]	4.00 [101.60]
-002	16.02 [406.91]	5.06 [128.64]	10.77 [273.67]	4.00 [101.60]



DRAWING REVISION D		REVISION BY D. BORNHORST	DATE 10-22-2018	TOLERANCES UNLESS OTHERWISE SPECIFIED: DEC. INCH mm ANGLE		DRAWN BY S. JIMENEZ	Regal Beloit America, Inc.
ECO ECO-0155183		APPROVED BY	DATE	.X ±0.1 [2.5] 30.5°	DATE 12-21-2016	DESCRIPTION OUTLINE	
CTQ'S				REMOVE BURRS & BREAK SHARP EDGES: .003/.015 [078/.381] X 45° CORNER FILLETS: R.02 [.51]		APPROVED BY	MATERIAL
(P) PROCESS (E) ENGINEERING (A) APPLICATION (R) REGULATORY				MACHINED SURFACES: .125/3.2 INCH/mil mm SHOWN IN (BRACKETS)		DATE	PROCESS/FINISH
ECO DESCRIPTION REMOVED -XXX FROM DRAWING AND MODEL NAME COPYRIGHT REGAL BELOIT AMERICA, INC. ALL RIGHTS RESERVED. PROPRIETARY AND CONFIDENTIAL INFORMATION. THIS DOCUMENT IS THE PROPERTY OF REGAL BELOIT AMERICA, INC. FORMER AND CONTAINS OWNERS PROPRIETARY INFORMATION. ANY PERSON, CORPORATION OR OTHER FIRM RECEIVING IT IS DEEMED BY RECEIVING IT, TO AGREE THAT IT, AND/OR ANY PART OF IT, SHALL NOT BE DISCLOSED TO ANY PERSON, CORPORATION OR OTHER ENTITY, DUPLICATED, AND/OR USED, EXCEPT AS EXPRESSLY APPROVED IN WRITING IN ADVANCE BY OWNER. THIS DOCUMENT SHALL BE RETURNED TO OWNER UPON REQUEST. IT MAY BE SUBJECT TO CERTAIN RESTRICTIONS UNDER APPLICABLE EXPORT CONTROL LAWS AND REGULATIONS.				REFERENCE THIRD ANGLE PROJECTION		SIZE C	DRAWING NUMBER D0000834
						SHEET 1 OF 1	

NOTE:
WHIE BACKGROUND BLACK LETTERING



DRAWING REVISION E	REVISION BY M. SWIGER	DATE 06-26-2014	TOLERANCES UNLESS OTHERWISE SPECIFIED: DEC. INCH mm ANGLE	DRAWN BY DWH 02-11-2013	Regal Beloit America, Inc.
ECO ECO-0054459	APPROVED BY	DATE	.X ±0.1 [±2.5] .XX ±0.01 [±0.25] .XXX ±0.005 [±0.127] .XXX ±0.0005 [±0.0127]	DATE	
ECO DESCRIPTION REMOVED PHANTOM LINES FOR TEXT			REMOVE BURRS & BREAK SHARP EDGES: .003/.015 [076/381] CORNER FILLETS: .02 [51] MACHINED SURFACES: 125/ mm 3.2/ INCH	APPROVED BY	DESCRIPTION CONN DIAGRAM-EXTERNAL 230V
<small>COPYRIGHT REGAL BELOIT AMERICA, INC. ALL RIGHTS RESERVED. PROPRIETARY AND CONFIDENTIAL INFORMATION - THIS DOCUMENT IS THE PROPERTY OF REGAL BELOIT AMERICA, INC. ('OWNER') AND CONTAINS OWNER'S PROPRIETARY INFORMATION. ANY PERSON, CORPORATION OR OTHER FIRM RECEIVING IT IS DEEMED, BY RECEIVING IT, TO AGREE THAT IT, AND/OR ANY PART OF IT, SHALL NOT BE DISCLOSED TO ANY PERSON, CORPORATION OR OTHER ENTITY, DUPLICATED, AND/OR USED, EXCEPT AS EXPRESSLY APPROVED IN WRITING IN ADVANCE BY OWNER. THIS DOCUMENT SHALL BE RETURNED TO OWNER UPON REQUEST. IT MAY BE SUBJECT TO CERTAIN RESTRICTIONS UNDER APPLICABLE EXPORT CONTROL LAWS AND REGULATIONS.</small>			mm SHOWN IN [BRACKETS]	DATE	MATERIAL MYLAR OVERLAY ADHESIVE BACKED
				REFERENCE	PROCESS/FINISH
				THIRD ANGLE PROJECTION	DRAWING NUMBER 214-0115
				SIZE B	SHEET 1 OF 1