

PRODUCT INFORMATION PACKET



Model No: DC146
Catalog No: DC146
1/2,950,TENV,42,DC/95
Low Voltage Motors



Regal and Century are trademarks of Regal Rexnord Corporation or one of its affiliated companies.
©2021 Regal Rexnord Corporation, All Rights Reserved. MC017097E





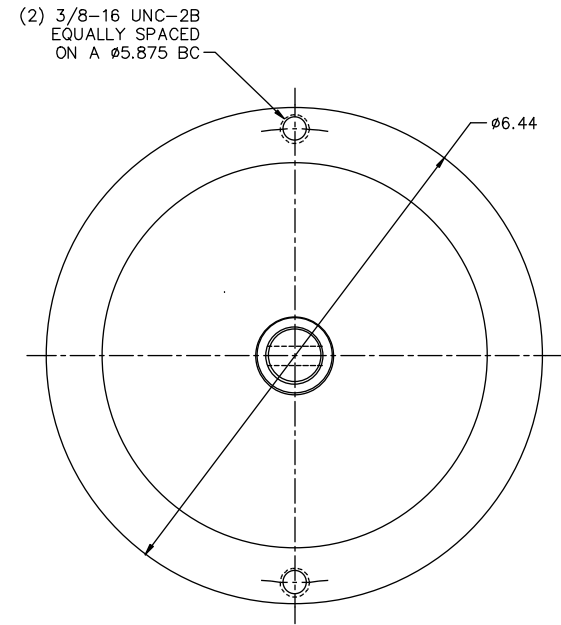
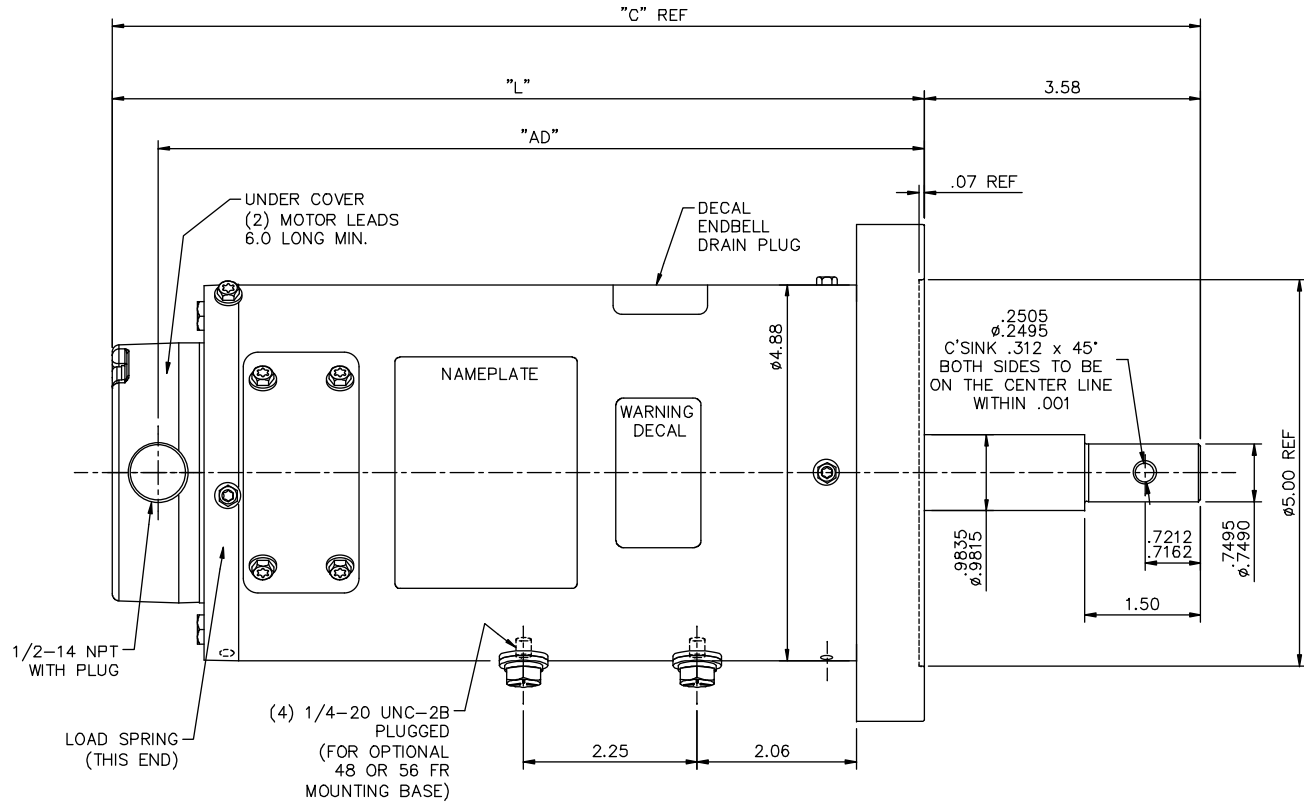
Nameplate Specifications

Output HP	1/2 Hp	Output KW	0.37 kW
Voltage	95 V	Current	5.6 A
Speed	950 rpm	Service Factor	1
Duty	Intermittent	Insulation Class	F
Frame	42	Enclosure	Totally Enclosed Non Ventilated
Thermal Protection	None	Ambient Temperature	40 °C
UL	Recognized	CSA	Y
CE	N	Number of Speeds	1

Technical Specifications

Electrical Type	DC Permanent Magnet	Starting Method	Across The Line
Rotation	Reversible	Mounting	Round
Drive End Bearing	Ball	Opp Drive End Bearing	Ball
Frame Material	Rolled Steel	Shaft Type	Keyed
Overall Length	14.10 in	Frame Length	8.00 in
Shaft Diameter	0.750 in	Shaft Extension	3.58 in
Outline Drawing	612-0085-DC146		

This is an uncontrolled document once printed or downloaded and is subject to change without notice. Date Created:10/11/2021



- NOTES:
 1) MAXIMUM FACE RUNOUT .004 T.I.R.
 2) PERMISSIBLE SHAFT RUNOUT .004 T.I.R.
 3) GASKETS THROUGHOUT.
 4) DRAIN HOLES PLUGGED AT 3, 9 AND 12 O'CLOCK. HOLES AT 6 O'CLOCK ARE OPEN (BOTH ENDS)

DC147	15.60	12.02	11.42	95	1	950
DC146	14.10	10.52	9.92	95	1/2	950
CATALOG No.	"C"	"L"	"AD"	VOLTS	HP	RPM

				TOLERANCES UNLESS SPECIFIED		Century	DRAWN IPG 8/29/12	
				DEC.	INCHES		CHK	
01	2.06 DIM WAS 2.18; OVERALL MOTOR LENGTH REDUCED BY .05"; RELEASED TO PRODUCTION	IPG	1/15/13	.X	±.1	TITLE	SCALE	5=8
00	RELEASED: REF. 027878, 027921 & 46NN47	IPG	8/29/12	.XX	±.03		REF	027878
NO.	REVISION	BY & DATE	CHK	ANG	±.0005		MAT'L.	DC146(D201)
THIS DRAWING IN DESIGN AND DETAIL IS OUR PROPERTY AND MUST NOT BE USED EXCEPT IN CONNECTION WITH OUR WORK ALL RIGHTS OF DESIGN AND INVENTION ARE RESERVED THIS IS AN ELECTRONICALLY GENERATED DOCUMENT - DO NOT SCALE THIS PRINT				RFP	±1/2'	FINISH	PREV	
				CAD FILE	612-0085	SIZE	DRAWING NO.	REV.
				DIST		B	612-0085	01