

PRODUCT INFORMATION PACKET

FASCO®

Model No: D471

Catalog No: D471

1/20 HP Refrigeration Motor, 1550 RPM, 208-230 Volts, 3.3" Diameter, Semi Enclosed Fan Cooled Refrigeration Motors



Regal and Fasco are trademarks of Regal Rexnord Corporation or one of its affiliated companies.

©2021 Regal Rexnord Corporation, All Rights Reserved. MC017097E

RegalRexnord



Nameplate Specifications

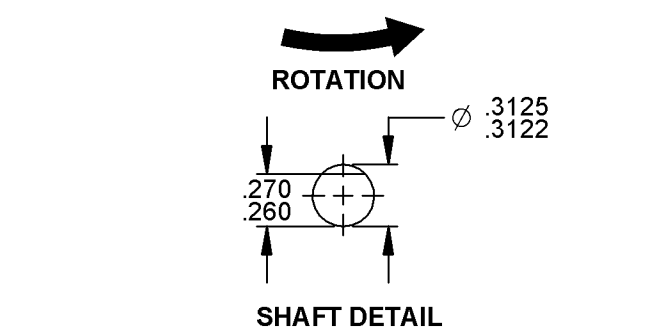
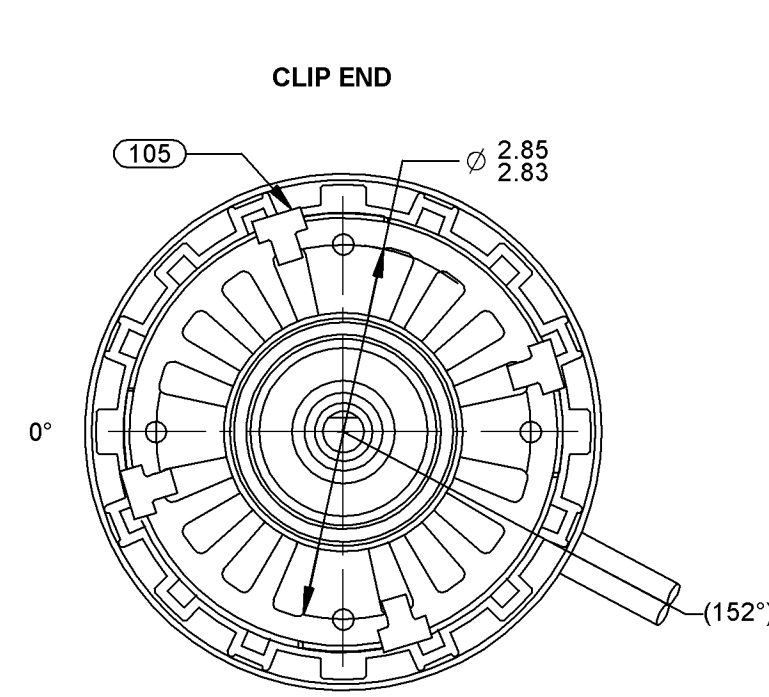
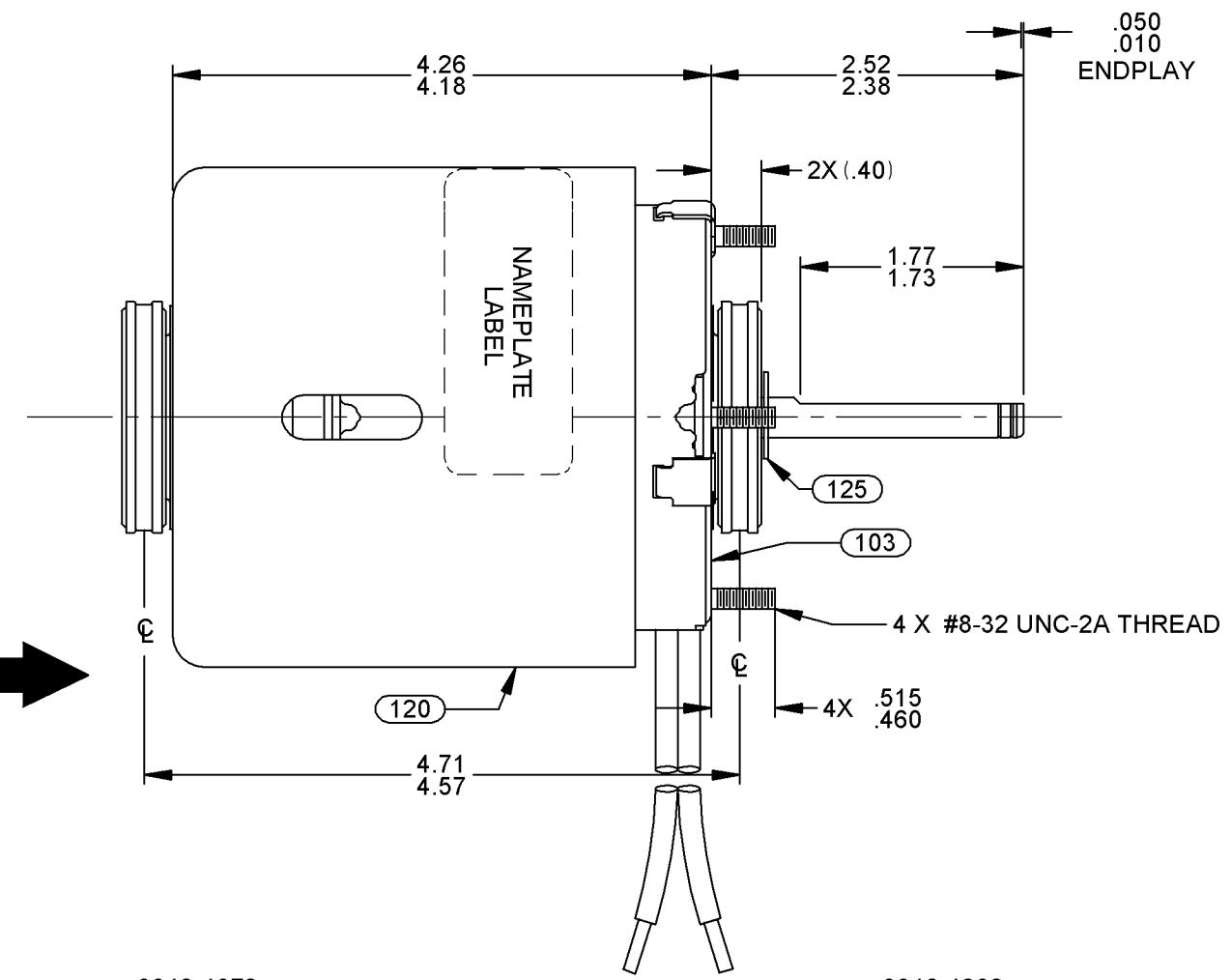
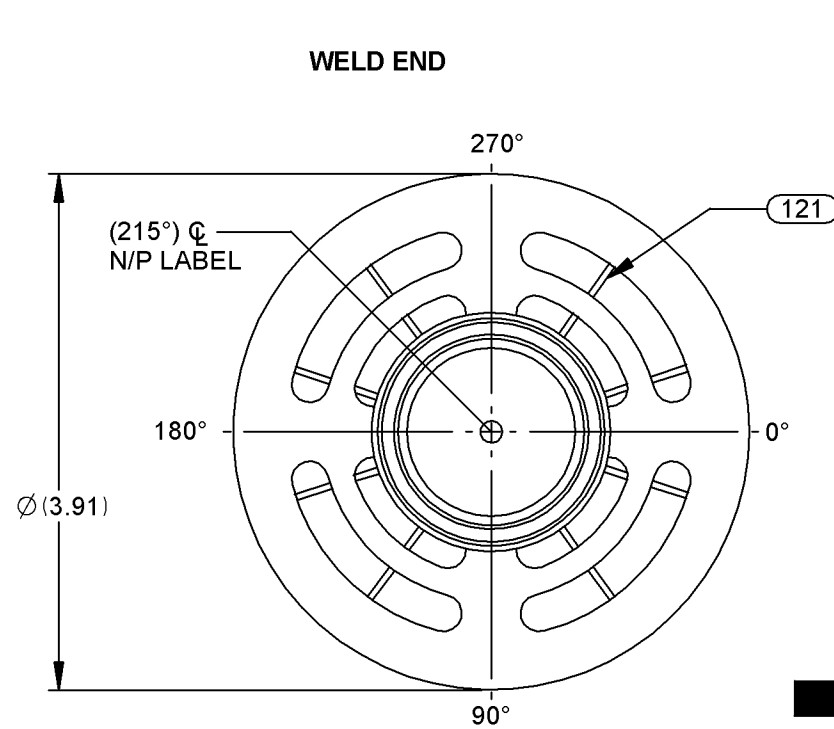
Output HP	1/20 Hp	Output KW	0.04 kW
Frequency	60 Hz	Voltage	208-230 V
Current	1.10 A	Speed	1550 rpm
Service Factor	1	Phase	1
Duty	Air Over	Insulation Class	B
Frame	3.3	Enclosure	Open Air Over
Thermal Protection	Thermally Protected	Ambient Temperature	40 °C
UL	Recognized	CSA	Y
CE	N	Number of Speeds	1

Technical Specifications

Electrical Type	Shaded Pole	Starting Method	Across The Line
Poles	4	Rotation	Counterclockwise Shaft End
Mounting	Extended Studs	Drive End Bearing	Sleeve
Opp Drive End Bearing	Sleeve	Frame Material	Steel
Shaft Type	Flat & Groove	Overall Length	7.18 in
Frame Length	2.82 in	Shaft Diameter	0.313 in
Shaft Extension	2.5 in		
Connection Drawing	NA	Outline Drawing	7163792222_S001

This is an uncontrolled document once printed or downloaded and is subject to change without notice. Date Created:10/11/2021

20	ADD WATER SLINGER TO MOTOR SHAFT.	KSA 07-27-09	21	CHG LEAD MATERIAL TO PVC.	SMC 10/21/09	22	REVISED PACKING AND ADDED CARTON LABEL NOTES	4004800 MLM 03/06/12	STANDARD TOLERANCES: ANGULAR +/- 1 DEGREE 2 PLACE DECIMAL +/- .01 3 PLACE DECIMAL +/- .005
----	-----------------------------------	--------------	----	---------------------------	--------------	----	--	-------------------------	---



LEAD MATERIAL
18 GA. 105°C 4/64 INSUL.
(2) COND. PARALLEL
PVC, BLACK,
37.00/33.00 IN. LONG
3.25/2.75 IN. RIP
.56/.44 IN. STRIP

0046-4072

Fasco Industries, Inc.
Motor Division

Assembled in Mexico
No. 71637922 TYPE U63B1 T.P. AO
208-230 V 60Hz Class B
1.1 A 1550 RPM 1/20 HP
Model D471 Max Amb: 40°C
LR6319

SAFETY WARNING

This Motor Must Be Grounded in Accordance With Local Or National Electrical Codes To Prevent Possible Injury Due To Electrical Shock

0046-4282

61299553

NOTES:
210 MAX. MOTORS PER PALLET.
NO PACKAGING TAPE OVER CARTON LABEL.

FRONT SHAFT POSITION	* TYPICAL PERFORMANCE AT 208-230 VOLTS 60 Hz.												CUSTOMER: FASCO DIST.	FASCO FASCO MOTORS GROUP AC MOTOR/BLOWER DIVISION									
HORIZONTAL 	MOTOR SPEED	IDLE			LOADED			LOCKED			BREAK	PART NUMBER: D471	CONFIDENTIAL: DO NOT DUPLICATE OR DISCLOSE TO THIRD PARTIES WITHOUT WRITTEN PERMISSION OF FASCO MOTORS GROUP, AC MOTOR/BLOWER DIVISION.										
		R.P.M.	AMP.	WATT	IN.OZ.	R.P.M.	AMP.	WATT	IN.OZ.	AMP.	WATT	IN.OZ.	APPLICATION:	MOTOR TYPE				DRAWING NUMBER					
CUSTOMER APPROVAL: SIGNED: DATE:	208 V	1755	.83	83	34.7	1550	.97	126	18.9	1.41	183	41.9	MOTOR WEIGHT: 4.69 POUNDS	SHADED POLE				7163 7922					
	230 V	1760	.94	101	42.6	1550	1.07	156	21.2	1.60	231	52.5	ENVIRONMENT: DRY	FINISH COLOR: BLACK				REV. 22					
														DATE DRAWN: MARCH 20, 2001	B	LA	FR	A	S	C	E	B	A
														00	63	28	V	06	JW	5	3	0	22

If Printed, this is an Uncontrolled Document.