

PRODUCT INFORMATION PACKET

FASCO®

Model No: D418
Catalog No: D418
1/50 HP Draft Inducer Motor, 1500 RPM, 115 Volts, 3.3" Diameter, Semi Enclosed
Draft Inducer Motors



Regal and Fasco are trademarks of Regal Rexnord Corporation or one of its affiliated companies.
©2021 Regal Rexnord Corporation, All Rights Reserved. MC017097E

RegalRexnord



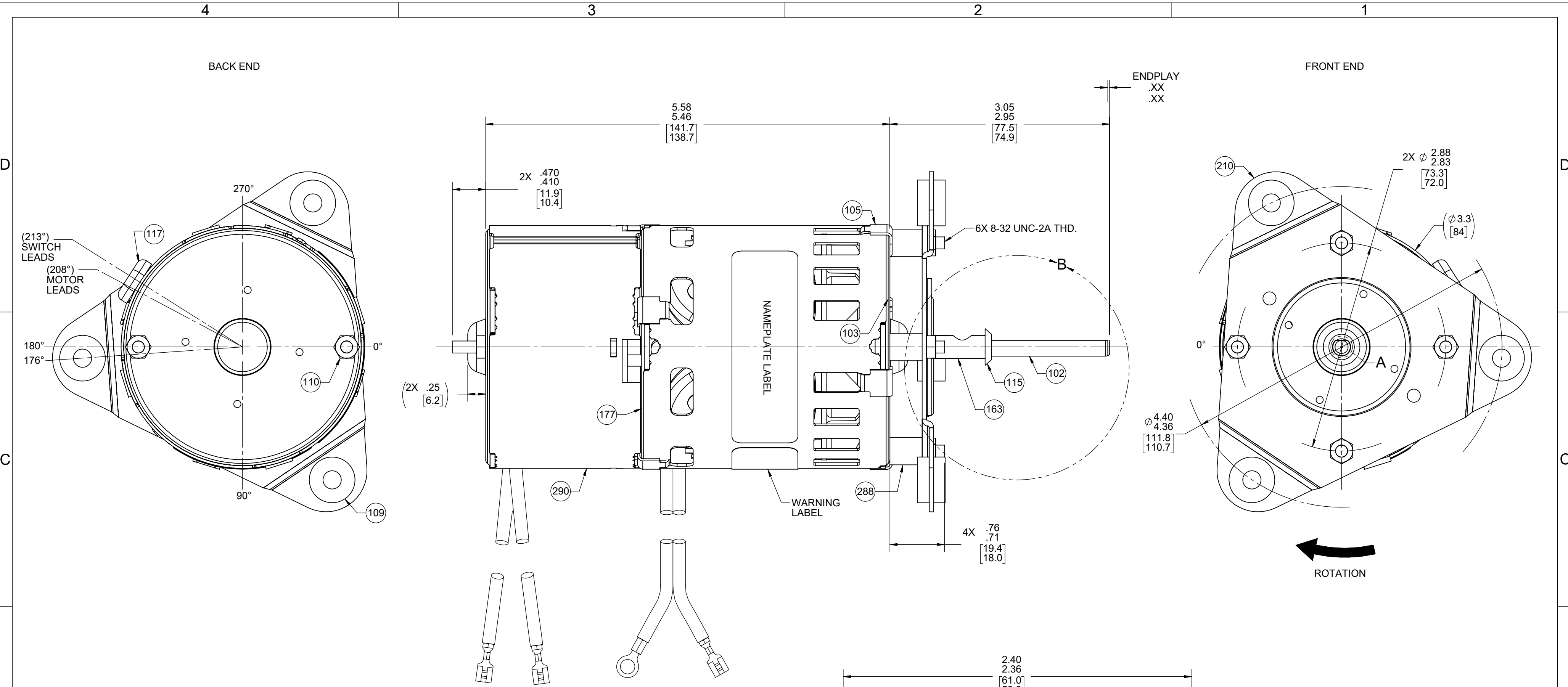
Nameplate Specifications

Output HP	1/50 Hp	Output KW	0.01 kW
Frequency	60 Hz	Voltage	115 V
Current	1.20 A	Speed	1500 rpm
Service Factor	1	Phase	1
Duty	Air Over	Insulation Class	B
Frame	3.3	Enclosure	Open Air Over
Thermal Protection	Thermally Protected	Ambient Temperature	40 °C
UL	Recognized	CSA	Y
CE	N	Number of Speeds	1

Technical Specifications

Electrical Type	Shaded Pole	Starting Method	Across The Line
Poles	4	Rotation	Clockwise Shaft End
Mounting	Lug	Drive End Bearing	Ball
Opp Drive End Bearing	Ball	Frame Material	Steel
Shaft Type	Flat	Overall Length	8.88 in
Frame Length	1.95 in	Shaft Diameter	0.250 in
Shaft Extension	3.00 in		
Connection Drawing	SEE OUTLINE	Outline Drawing	71634295

This is an uncontrolled document once printed or downloaded and is subject to change without notice. Date Created:10/11/2021



LEAD MATERIAL
 14 GA. 105°C 5/64 INSUL.
 (2) COND. PARALLEL THERMO.
 BLACK 32.00 / 30.00 [812.8 / 762.0]
 W/ RIP 4.25 / 3.75 [107.0 / 95.3]
 (1) W/FSPADE TERM. AMP 41728
 (1) W/RING TERM. AMP 42110-3

SWITCH LEADS
 18 GA. 105°C 3/64 INSUL.
 THERMO. (2) RED
 49.00 / 47.00 [1244.6 / 1193.8]
 W/FSPADE TERM. AMP 42660-2

- NOTES:
 1. MOTOR HAS 416 SS SHAFT.
 2. PACK 144 MAX. MOTORS PER PALLET.
 3. NO PACKING TAPE OVER CARTON LABEL.

61305568

SAFETY WARNING
 This motor must be grounded in accordance with local or national electrical codes to prevent possible injury due to electrical shock

AVERTISSEMENT DE SÉCURITÉ
 Ce moteur doit être fondée sur conformément à la réglementation locale ou national électrique codes pour prévenir d'éventuelles blessures en raison de choc électrique

APPLY IN A CONVENIENT LOCATION TO READ RIGHT FROM BACK END

00464072

00469108

FASCO **REGAL** **RLC**

Assembled In Mexico
 No. 71634295 TYPE U63B1 TP AO
 115 V 60 Hz Class B
 1.2 A 1500 RPM 1/50 HP
 Model D418 Max. Amb: 40°C
 SW280-10 SW125VA-120V

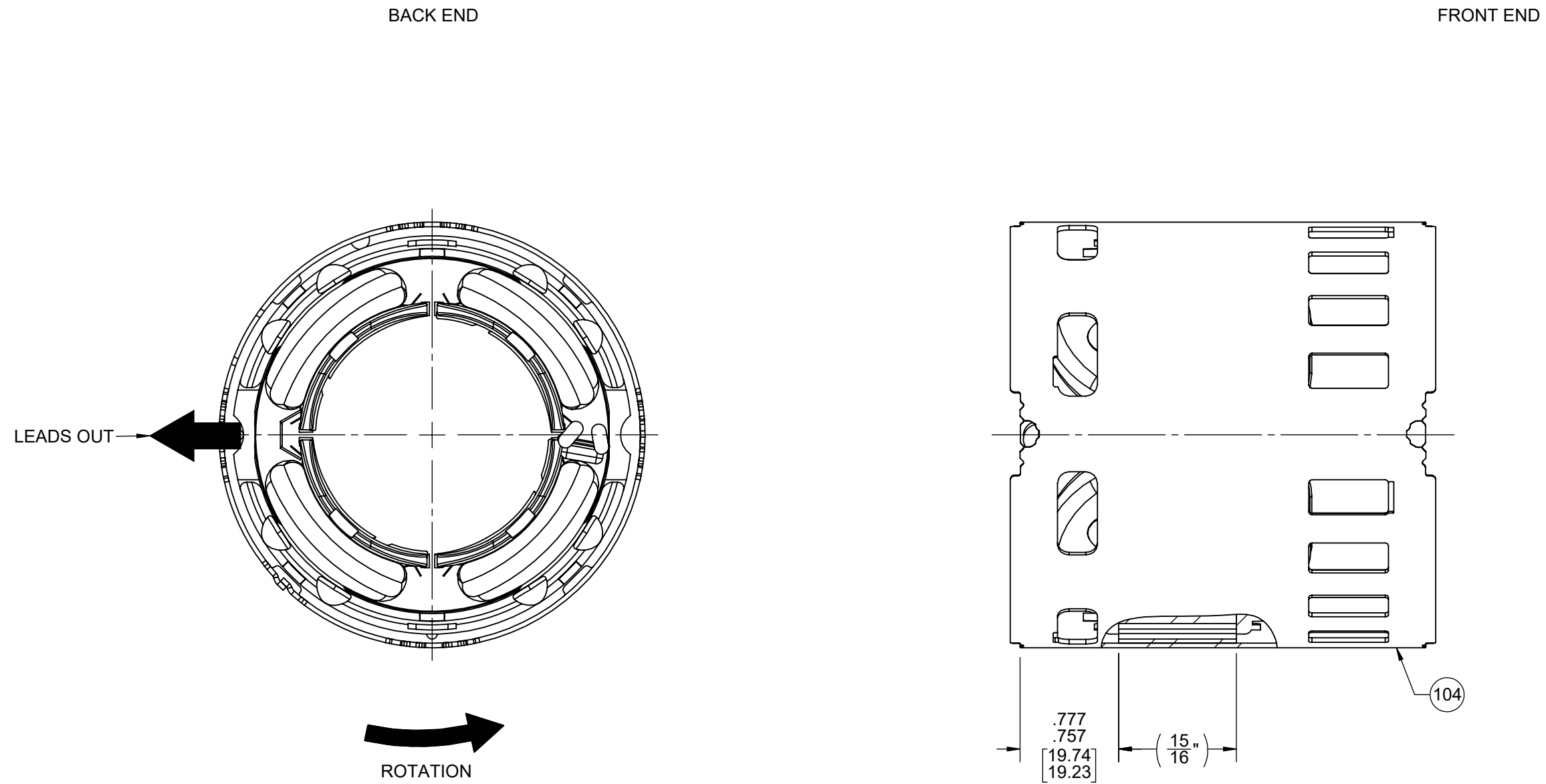
Connection Diagram
 Blk — Line
 Blk — Line
 Red —
 Red —

CUSTOMER:	FASCO DIST.	APPLICATION:									
CUSTOMER PN:	D418	MOTOR WEIGHT:	4.18 LBS.								
		ENVIRONMENT:	DRY								
HORIZONTAL	UP	MOTOR TYPE		REFERENCE SAMPLE							
		SHADED POLE									
		B	LA	FR	A	S	C	E	B	A	
		00	63	34	F	03	OY	5	0	0	
TYPICAL PERFORMANCE AT 115 VOLTS 60 HZ											
MOTOR SPEED	IDLE			LOADED			LOCKED			BREAK	
	RPM	AMP	WATT	IN OZ	RPM	AMP	WATT	IN OZ	AMP	WATT	IN OZ
	1760	.88	48	21.3	1500	1.05	76	5.6	1.43	102	18.0

DRAWING REVISION	REVISION BY	REV DATE/DATE	TOLERANCES (EXCEPT AS NOTED):	DRAWN BY	REGAL	Regal Beloit America, Inc.
AB	KKM	5/28/2021	DEC. INCH mm ANGLE	SED		
ECO ECR-0209888	APPROVED BY	DATE	.X ±0.1 [±3]	DATE	10/11/2017	
	SDM	5/28/2021	.XX ±0.01 [±0.3]	APPROVED BY	MLS	DESCRIPTION
			.XXX ±0.005 [±0.13]	DATE	10/11/2017	OUTLINE MOTOR ASSY
			.XXXX ±0.0005 [±0.013]	REFERENCE		MATERIAL
REMOVE IND AND INC FROM LABEL			REMOVE BURRS & BREAK SHARP EDGES: .003/.015 [.08/.38] X 45°	THIRD ANGLE PROJECTION		PROCESS/FINISH
COPYRIGHT (PER REVISION DATE) REGAL BELOIT AMERICA, INC. ALL RIGHTS RESERVED. PROPRIETARY AND CONFIDENTIAL INFORMATION - THIS DOCUMENT IS THE PROPERTY OF REGAL BELOIT AMERICA, INC. (OWNER) AND CONTAINS OWNER'S PROPRIETARY INFORMATION. ANY PERSON, CORPORATION OR OTHER FIRM RECEIVING IT IS DEEMED, BY RECEIVING IT, TO AGREE THAT IT, AND/OR ANY PART OF IT, SHALL NOT BE DISCLOSED TO ANY PERSON, CORPORATION OR OTHER ENTITY, DUPLICATED, AND/OR USED, EXCEPT AS EXPRESSLY APPROVED IN WRITING IN ADVANCE BY OWNER. THIS DOCUMENT SHALL BE RETURNED TO OWNER UPON REQUEST. IT MAY BE SUBJECT TO CERTAIN RESTRICTIONS UNDER APPLICABLE EXPORT CONTROL LAWS AND REGULATIONS.			CORNER FILLETS: R.02 [.5]	SIZE	C	BLACK PAINT
			MACHINED SURFACES: .125 / mm 3.2 INCH / mm	DRAWING NUMBER	71634295	SHEET
			mm DIMENSIONS IN [BRACKETS] ARE FOR REFERENCE ONLY			1 OF 2

NOTES:

1. STAKE STATOR TO MAIN FRAME PER 88830264.
2. MAXIMUM TORQUE REQUIRED TO TURN MOTOR SHAFT IS 1/4 INCH-OUNCE.
3. ASSEMBLE SPRING BETWEEN WASHER AND BEARING ON BACK END, WITH SPRING FINGERS TOWARD BEARING.
4. SWITCH LEADS MUST MEET PULL TEST PER 88834274.
5. ASSEMBLE BALL BEARINGS TO BEARING RETAINERS PER 88834419.
6. ASSEMBLE BUSHING TO SHAFT AND SECURE WITH OIL SLINGER.



SWITCH INSTRUCTIONS

1. ASSEMBLE SWITCH PER 88834261.
2. PRESS ACTUATOR ASSEMBLY AND THIMBLE ON SHAFT SO THAT TOP OF METAL ACTUATOR PLATE IS .568 / .548 [14.17 / 13.92] FROM END OF SHAFT.
3. SWITCH MUST BE ADJUSTED TO OBTAIN .035 / .025 [.89 / .64] AIR GAP BETWEEN THIMBLE AND SWITCH IN FULL OPERATING POSITION.
4. SWITCH MUST MAKE CONTACT BEFORE 1250 RPM AS SPEED INCREASES AND BREAK ABOVE 400 RPM AS SPEED DECREASES. SWITCH MECHANISM TO GIVE QUIET OPERATION ABOVE 1000 RPM.
5. WHEN ASSEMBLING HEYCO, NO SLACK ALLOWED INSIDE SWITCH COVER.
6. SWITCH LEADS MUST NOT CROSS OVER SWITCH.
7. MOTOR MUST BE FREE TO START AT 90 VOLTS OR LESS.

PACKING SPECIFICATIONS

1. PACK PER 88834200. 1 PER CONTAINER, 144 MAX. PER PALLET. 6 LAYERS PER PALLET, 24 CARTONS PER LAYER.
2. PLACE FILLER TUBE OVER SHAFT EXTENSION, PLACE FOAM RING ON BACK END, FOLD PACKING PAPER IN HALF AND WRAP AROUND MOTOR. PLACE IN CARTON, CLOSE FLAPS AND TAPE.
3. PLACE 1 FLAT PAD ON TOP LAYER OF PALLET . PLACE ALL INSPECTION STICKERS AND WRITING ON TOP FLAT PAD.
4. CARTON LABELS MUST ALL FACE ONE DIRECTION TOWARD THE OPEN END OF THE PALLET PER 88834408.

DRAWING REVISION AB	REVISION BY KKM	REV DATE/DATE 5/28/2021	TOLERANCES (EXCEPT AS NOTED): DEC. INCH mm ANGLE	DRAWN BY SED	Regal Beloit America, Inc.	
ECO ECR-0209888	APPROVED BY SDM	DATE 5/28/2021	.X ±0.1 [±3] ±1° .XX ±0.01 [±0.3] .XXX ±0.005 [±0.13] .XXXX ±0.0005 [±0.013]	DATE 10/11/2017		
ECO DESCRIPTION REMOVE IND AND INC FROM LABEL			REMOVE BURRS & BREAK SHARP EDGES: .003/.015 [.08/.38] X 45° CORNER FILLETS: R.02 [.5] MACHINED SURFACES: .125/ mm 3.2 mm DIMENSIONS IN [BRACKETS] INCH/mm ARE FOR REFERENCE ONLY	APPROVED BY MLS	DESCRIPTION OUTLINE MOTOR ASSY	
<small>COPYRIGHT (PER REVISION DATE) REGAL BELOIT AMERICA, INC. ALL RIGHTS RESERVED. PROPRIETARY AND CONFIDENTIAL INFORMATION - THIS DOCUMENT IS THE PROPERTY OF REGAL BELOIT AMERICA, INC. ("OWNER") AND CONTAINS OWNER'S PROPRIETARY INFORMATION. ANY PERSON, CORPORATION OR OTHER FIRM RECEIVING IT IS DEEMED, BY RECEIVING IT, TO AGREE THAT IT, AND/OR ANY PART OF IT, SHALL NOT BE DISCLOSED TO ANY PERSON, CORPORATION OR OTHER ENTITY, DUPLICATED, AND/OR USED, EXCEPT AS EXPRESSLY APPROVED IN WRITING IN ADVANCE BY OWNER. THIS DOCUMENT SHALL BE RETURNED TO OWNER UPON REQUEST. IT MAY BE SUBJECT TO CERTAIN RESTRICTIONS UNDER APPLICABLE EXPORT CONTROL LAWS AND REGULATIONS.</small>			DATE 10/11/2017	MATERIAL	PROCESS/FINISH BLACK PAINT	
			THIRD ANGLE PROJECTION	SIZE C	DRAWING NUMBER 71634295	SHEET 2 OF 2