

PRODUCT INFORMATION PACKET

FASCO®

Model No: D412
Catalog No: D412
1/9 HP Draft Inducer Motor, 3000/2500 RPM, 230 Volts, 3.3" Diameter, Semi Enclosed
Draft Inducer Motors



Regal and Fasco are trademarks of Regal Rexnord Corporation or one of its affiliated companies.
©2021 Regal Rexnord Corporation, All Rights Reserved. MC017097E

RegalRexnord



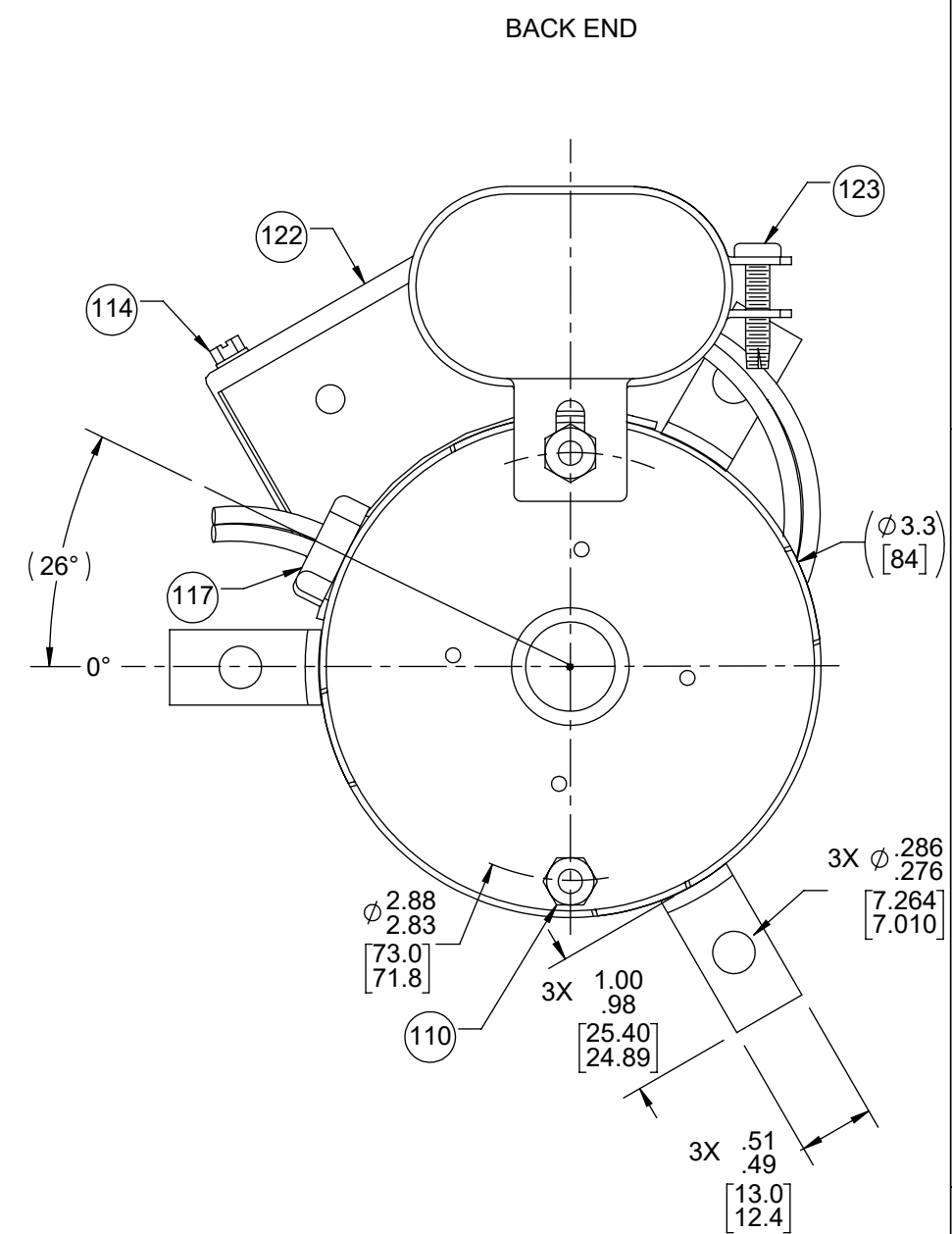
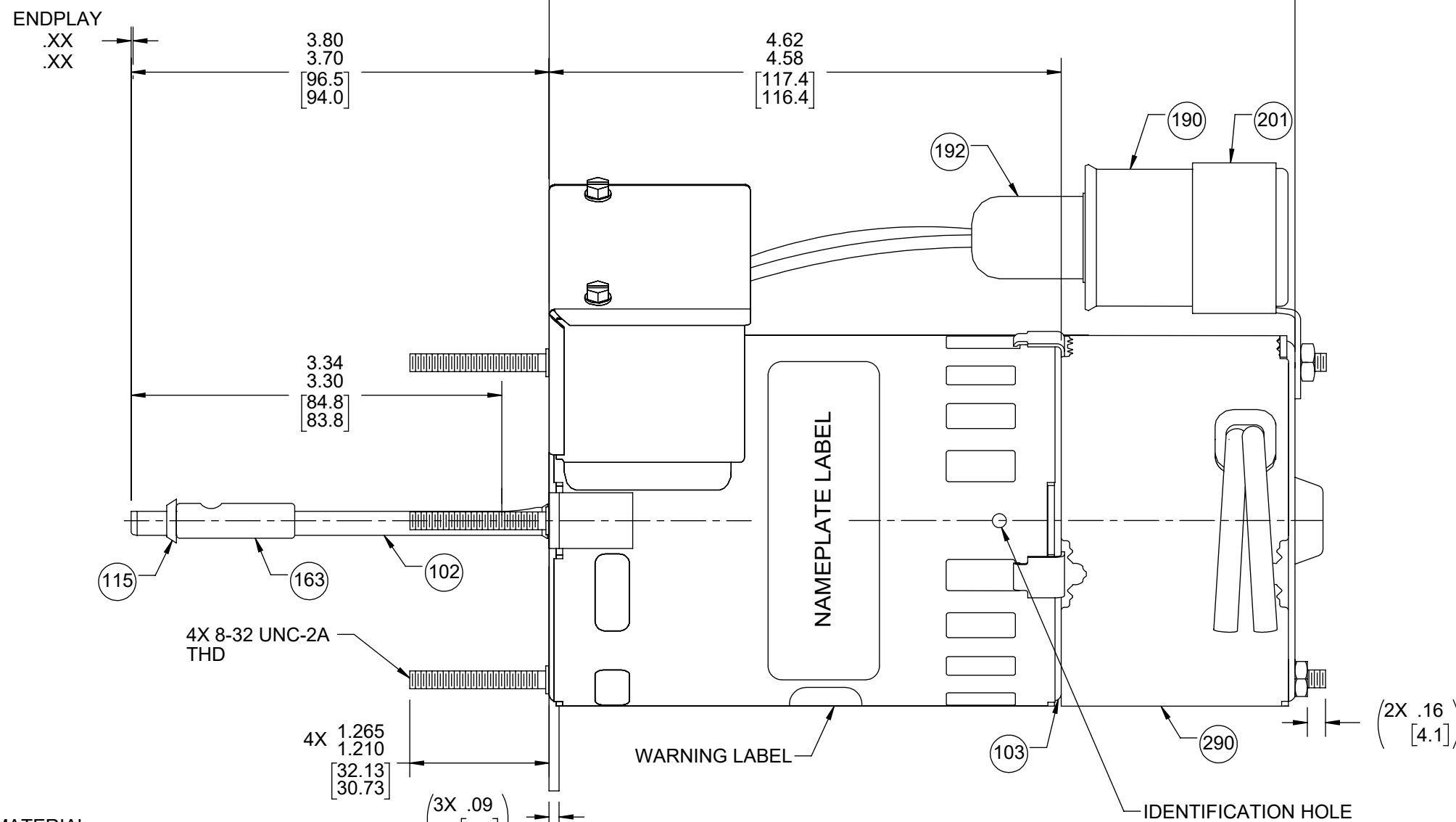
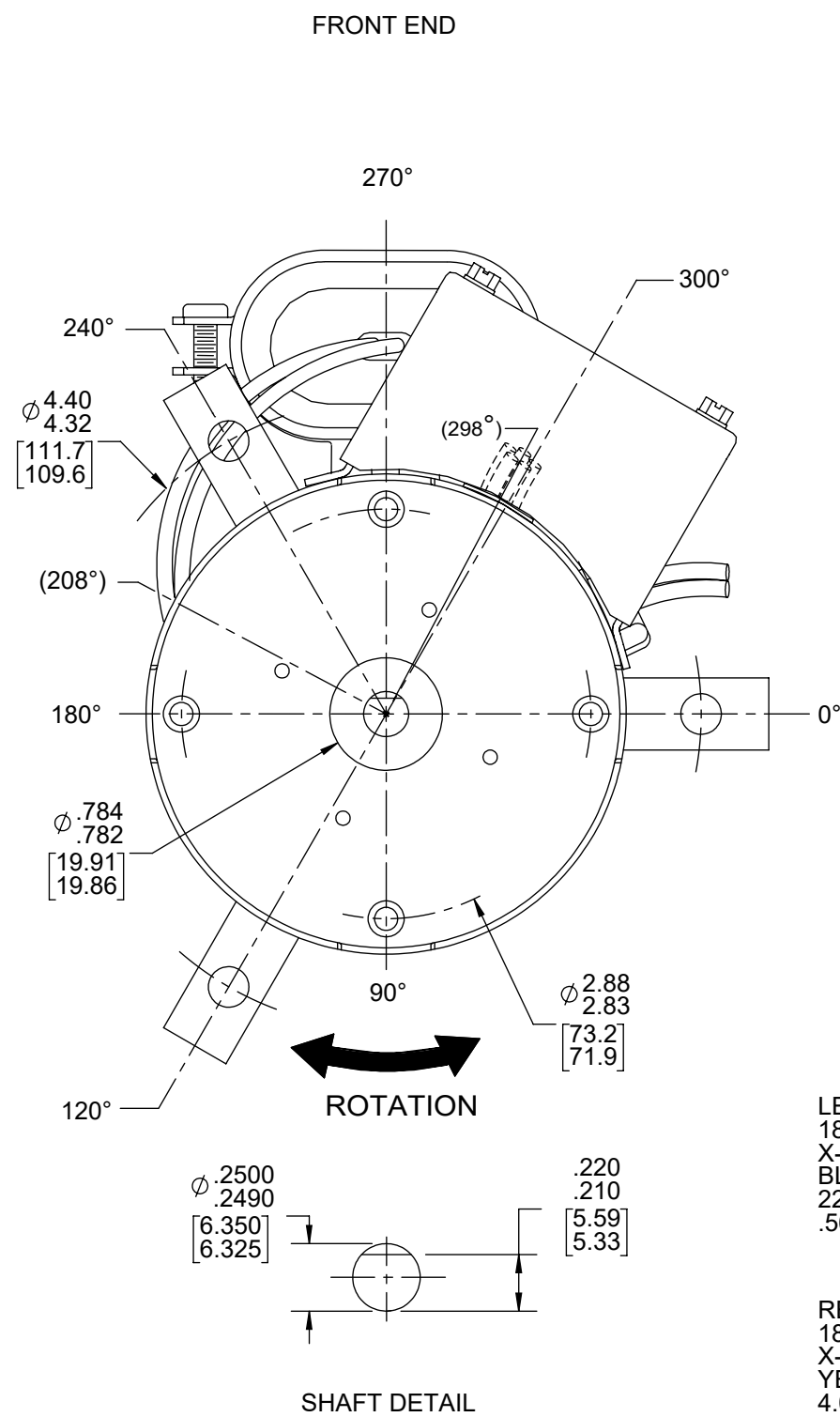
Nameplate Specifications

Output HP	1/9 Hp	Output KW	0.08 kW
Frequency	60 Hz	Voltage	230 V
Current	.7 A	Speed	3000/2500 rpm
Service Factor	1	Phase	1
Duty	Air Over	Insulation Class	B
Frame	3.3	Enclosure	Open Air Over
Thermal Protection	Thermally Protected	Ambient Temperature	40 °C
UL	Recognized	CSA	Y
CE	N	Number of Speeds	1

Technical Specifications

Electrical Type	Permanent Split Capacitor	Starting Method	Across The Line
Poles	2	Rotation	Reversible
Mounting	Extended Studs	Drive End Bearing	Ball
Opp Drive End Bearing	Ball	Frame Material	Steel
Shaft Type	Flat	Overall Length	10.57 in
Frame Length	4.50 in	Shaft Diameter	0.250 in
Shaft Extension	3.80 in		
Connection Drawing	00469122	Outline Drawing	71620941

This is an uncontrolled document once printed or downloaded and is subject to change without notice. Date Created:10/11/2021

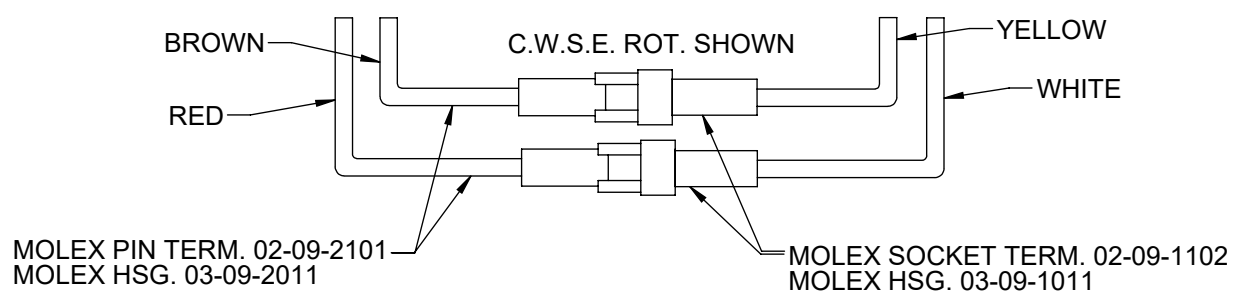


LEAD MATERIAL
18 GA 125° C 2/64 INSUL.
X-LINKED POLY
BLACK
22.00/20.00 [558.8/508.0]
.56/.44[14.2/11.2] STRIP

REVERSING LEADS
18 GA 125° C 2/64 INSUL.
X-LINKED POLY
YELLOW, WHITE, RED, BROWN
4.00/3.00 [101.6/76.2]

SWITCH LEADS
18 GA 125° C 4/64 INSUL.
EPDM
RED
22.00/20.00[558.8/508.0]
.56/.44[14.2/11.2] STRIP

CAPACITOR LEADS
18 GA 125° C 2/64 INSUL.
X-LINKED POLY
BLUE
8.25/6.25 [209.6/158.8]
W/FLAG TERMS.
AMP 42742-2



TO REVERSE ROTATION INTERCHANGE RED AND BROWN
MOTOR MUST HAVE C.W.S.E. CONNECTION WHEN SHIPPING.

- NOTES:
1. COIL LINE AND REVERSING LEADS INSIDE CONDUIT BOX AFTER TESTING AND SECURE WITH SCREWS.
 2. NO KNOCKOUTS REMOVED.
 3. MOTOR HAS 416 SS SHAFT.
 4. ASSEMBLE BUSHING TO SHAFT AND HOLD IN PLACE WITH OIL SLINGER.
 5. NO PACKAGING TAPE OVER CARTON LABEL.

61305568

00464072

00469122

SAFETY WARNING
This motor must be grounded in accordance with local or national electrical codes to prevent possible injury due to electrical shock

AVERTISSEMENT DE SÉCURITÉ
Ce moteur doit être fondée sur conformément à la réglementation locale ou national électrique codes pour prévenir d'éventuelles blessures en raison de choc électrique

APPLY IN A CONVENIENT LOCATION TO READ FROM CLIP END

FASCO Assembled In Mexico

No. 71620941 TYPE U62B1 T.P. AO
230 V 60/50 Hz Class B
0.7 A 3000/2500 RPM
Model D412 (1 spd)
SW280-1 Sealed Ball Brg
Max Amb: 40°C

Connection Diagram

CCWSE CWSE

Blk Line Blk Line
Blk Line Blk Line
Yel Ins Wht Ins
Red Ins Red Ins
Wht Ins Yel Ins
Brn Ins Brn Ins
Blu Ins Blu Ins

4 MFD/370 VAC

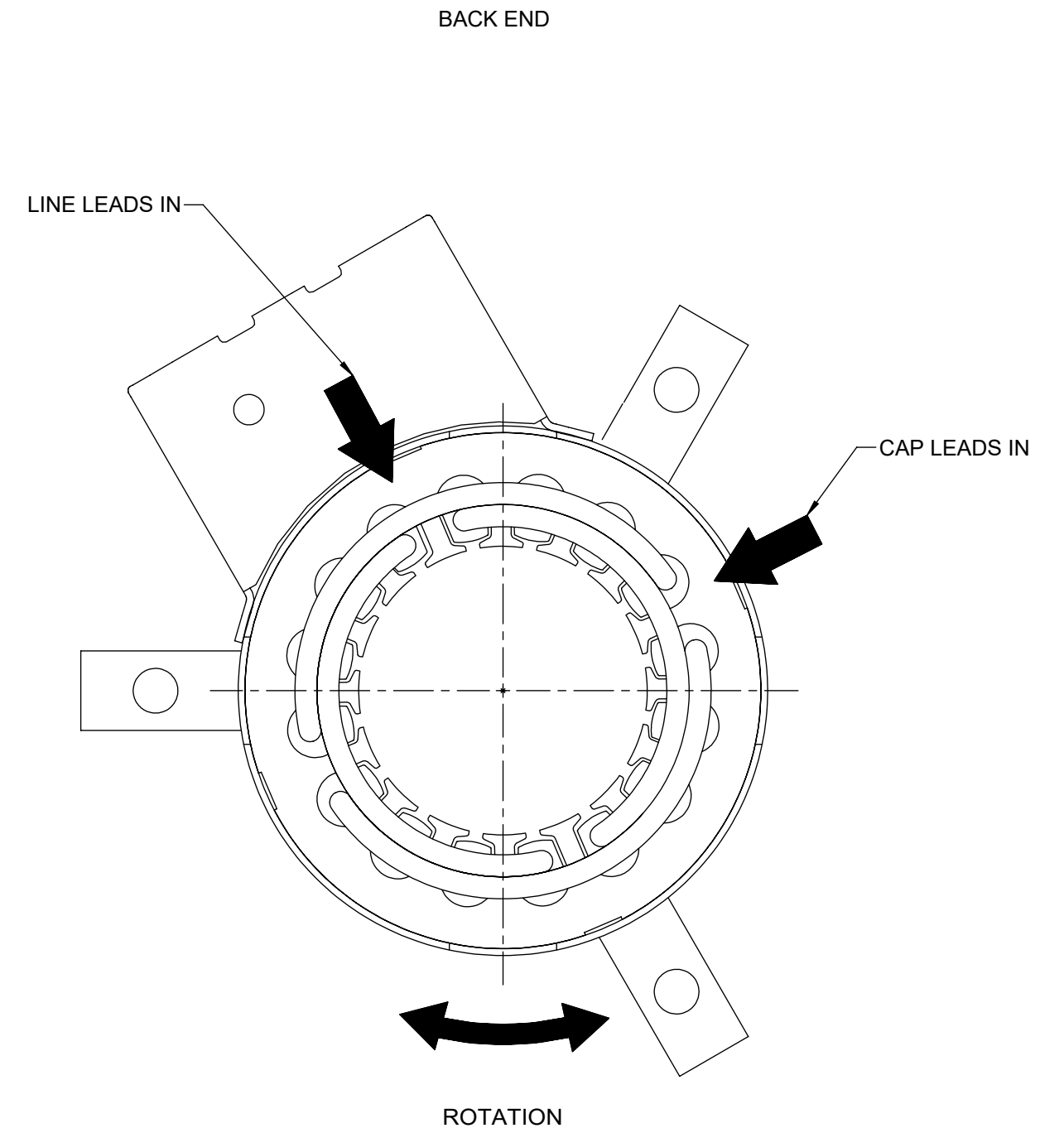
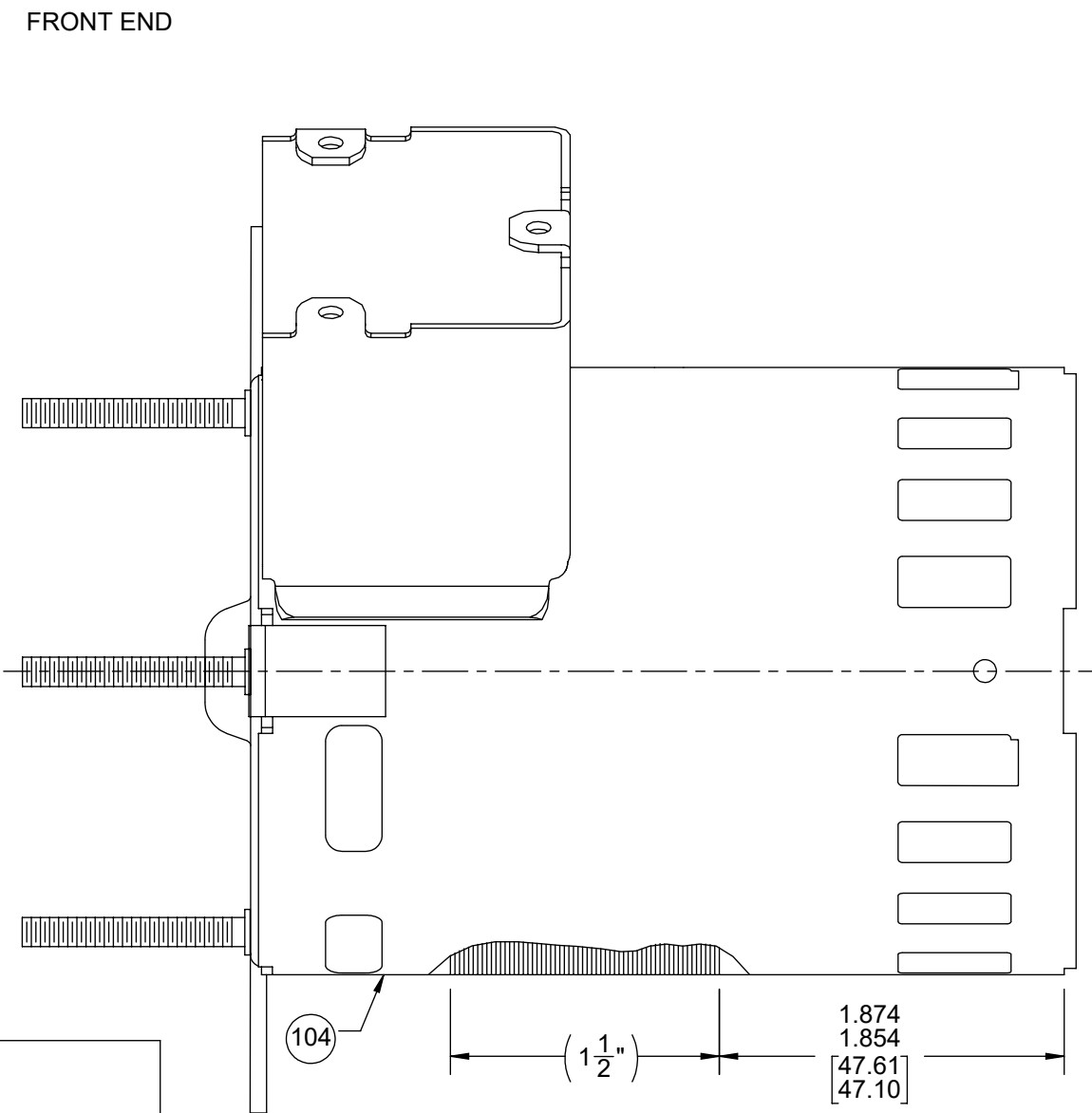
61299553

CUSTOMER:	FASCO DIST.	APPLICATION:	COUNTER SALES		
CUSTOMER PN:	D412	MOTOR WEIGHT:	5.40 LBS.		
	UP	ENVIRONMENT:	DRY		
MOTOR TYPE		REFERENCE SAMPLE			
P.S.C.		71620941			
B	LA	FR	A		
00	62	34	F		
		S	06		
		C	OR		
		E	5		
		B	0		
		A	0		
TYPICAL PERFORMANCE AT 115 VOLTS 60 HZ					
CAP: 4 MFD/370 VAC					
MOTOR SPEED	IDLE		LOADED		BREAK
	RPM	AMP	WATT	IN OZ	
	3530	.28	64	40.0	2975

DRAWING REVISION BF	REVISION BY MLS	REV DATE/DATE 5/18/2021	TOLERANCES (EXCEPT AS NOTED): DEC. INCH mm ANGLE .X ±0.1 [±3] ±1° .XX ±0.01 [±0.3] .XXX ±0.005 [±0.13] .XXXX ±0.0005 [±0.013]	DRAWN BY J.TINDLE	REGAL Regal Beloit America, Inc.
ECO ECR-0209573	APPROVED BY PLA	DATE 5/18/2021	REMOVE BURRS & BREAK SHARP EDGES: .003/.015 [.08/.38] X 45° CORNER FILLETS: R.02 [.5] MACHINED SURFACES: .125/ mm 3.2/ INCH mm mm DIMENSIONS IN [BRACKETS] ARE FOR REFERENCE ONLY	DATE 11-05-2001	
ECO DESCRIPTION UPDATED N/P LABEL TO MATCH LABEL FORMAT				APPROVED BY	DESCRIPTION OUTLINE MOTOR ASSY
COPYRIGHT (PER REVISION DATE) REGAL BELOIT AMERICA, INC. ALL RIGHTS RESERVED. PROPRIETARY AND CONFIDENTIAL INFORMATION - THIS DOCUMENT IS THE PROPERTY OF REGAL BELOIT AMERICA, INC. (OWNER) AND CONTAINS OWNER'S PROPRIETARY INFORMATION. ANY PERSON, CORPORATION OR OTHER FIRM RECEIVING IT IS DEEMED, BY RECEIVING IT, TO AGREE THAT IT, AND/OR ANY PART OF IT, SHALL NOT BE DISCLOSED TO ANY PERSON, CORPORATION OR OTHER ENTITY, DUPLICATED, AND/OR USED, EXCEPT AS EXPRESSLY APPROVED IN WRITING IN ADVANCE BY OWNER. THIS DOCUMENT SHALL BE RETURNED TO OWNER UPON REQUEST. IT MAY BE SUBJECT TO CERTAIN RESTRICTIONS UNDER APPLICABLE EXPORT CONTROL LAWS AND REGULATIONS.				DATE	MATERIAL
				THIRD ANGLE PROJECTION	PROCESS/FINISH BLACK PAINT
				SIZE C	DRAWING NUMBER 71620941
					SHEET 1 OF 2

NOTES:

1. STAKE STATOR TO MAIN FRAME PER 88830264.
2. MAXIMUM TORQUE REQUIRED TO TURN MOTOR SHAFT IS 3/8 INCH-OUNCE.
3. ASSEMBLE SPRING BETWEEN WASHER AND BEARING ON BACK END, WITH SPRING FINGERS TOWARD BEARING.
4. ASSEMBLE BALL BEARINGS TO BEARING RETAINERS PER 88834419.
5. CUT BLUE LEADS TO 8.25/6.25 [209.6/158.8], RESTRIP TO .22 ±.06 [5.6 ± 1.5] AND ASSEMBLE PC 141 TERMINALS.
6. CUT RED AND BROWN LEADS TO 4.00/3.00 [101.6/76.2] RESTRIP TO .25 ±.06 [6.4 ± 1.5] AND ASSEMBLE PC 145 TERMINALS WITH PC 206 TERMINAL HOUSING.
7. CUT WHITE AND YELLOW LEADS TO 4.00/3.00 [101.6/76.2], RESTRIP TO .25 ±.06 [6.4 ± 1.5] AND ASSEMBLE PC 146 TERMINALS WITH PC 148 TERMINAL HOUSING.
8. LEADS MUST MEET PULL TEST PER 88834274.
9. ATTACHED TERMINALS MUST MEET SPECIFICATIONS ON 88834229.
10. MOUNTING SURFACES OF BRACKETS MUST BE FLUSH WITH FACE OF COVER WITHIN ± .030 [±.76].
11. ASSEMBLE LOCKWASHER BETWEEN CAPACITOR BRACKET AND MOTOR.



SWITCH INSTRUCTIONS

1. ASSEMBLE SWITCH ASSEMBLY AND ACTUATOR PER 88834261.
2. PRESS ACTUATOR ASSEMBLY AND THIMBLE ON SHAFT SO THAT TOP OF METAL ACTUATOR PLATE IS .568/.548 [14.43/13.92] FROM END OF SHAFT.
3. SWITCH MUST BE ADJUSTED TO OBTAIN .035/.025 [.89/.64] AIR GAP BETWEEN THIMBLE AND SWITCH IN FULL OPERATING POSITION.
4. SWITCH MUST MAKE CONTACT BETWEEN 1800-2500 RPM AS SPEED INCREASES AND BREAK 50-500 RPM BELOW ACTUAL MAKE.
5. SWITCH MECHANISM TO GIVE QUIET OPERATION ABOVE 2500 RPM.
6. WHEN ASSEMBLING HEYCO, NO SLACK ALLOWED INSIDE SWITCH COVER.

PACKING SPECIFICATIONS

1. PACK 1 PER CONTAINER, 18 CONTAINERS PER LAYER, 126 MAX. PER PALLET, PER 88834200.
2. STAMP DATE CODE ON EACH CARTON LABEL, USING SPACE AVAILABLE BELOW THE D412 NUMBER. DATE CODE MUST NOT COVER ANY OTHER LABEL INFORMATION. USE HAND STAMP P/N 61299882.
3. PLACE FOAM RING ON BACK END OF MOTOR. PLACE MOTOR IN CARTON, SHAFT END UP AND CONDUIT BOX TOWARD PRINTED SIDE OF CARTON. PLACE FOAM RING OVER EVERY BRACKET AND SLIDE INTO CARTON. PLACE FILLER TUBE OVER SHAFT. CLOSE FLAPS AND TAPE.
4. PLACE LABEL ON SHAFT END OF CARTON, LAY CARTON ON SIDE OF PALLET WITH LABEL VISIBLE.
5. PLACE (1) FLAT PAD ON PALLET, (1) BETWEEN EACH LAYER, AND (1) ON TOP.
6. PLACE ALL INSPECTION STICKERS AND WRITING ON FLAT PAD.
7. CARTON LABELS MUST ALL FACE ONE DIRECTION TOWARD THE OPEN END OF THE PALLET. SEE 88834408.

DRAWING REVISION BF	REVISION BY MLS	REV DATE/DATE 5/18/2021	TOLERANCES (EXCEPT AS NOTED): DEC. INCH mm ANGLE	DRAWN BY J.TINDLE	Regal Beloit America, Inc.
ECO ECR-0209573	APPROVED BY PLA	DATE 5/18/2021	.X ±0.1 [±3] ±1° .XX ±0.01 [±0.3] .XXX ±0.005 [±0.13] .XXXX ±0.0005 [±0.013]	DATE 11-05-2001	
ECO DESCRIPTION UPDATED N/P LABEL TO MATCH LABEL FORMAT			REMOVE BURRS & BREAK SHARP EDGES: .003/.015 [.08/.38] X 45° CORNER FILLETS: R.02 [5] MACHINED SURFACES: .125/ mm 3.2 INCH/mm	APPROVED BY	DESCRIPTION OUTLINE MOTOR ASSY
<small>COPYRIGHT (PER REVISION DATE) REGAL BELOIT AMERICA, INC. ALL RIGHTS RESERVED. PROPRIETARY AND CONFIDENTIAL INFORMATION - THIS DOCUMENT IS THE PROPERTY OF REGAL BELOIT AMERICA, INC. ("OWNER") AND CONTAINS OWNER'S PROPRIETARY INFORMATION. ANY PERSON, CORPORATION OR OTHER FIRM RECEIVING IT IS DEEMED, BY RECEIVING IT, TO AGREE THAT IT, AND/OR ANY PART OF IT, SHALL NOT BE DISCLOSED TO ANY PERSON, CORPORATION OR OTHER ENTITY, DUPLICATED, AND/OR USED, EXCEPT AS EXPRESSLY APPROVED IN WRITING IN ADVANCE BY OWNER. THIS DOCUMENT SHALL BE RETURNED TO OWNER UPON REQUEST. IT MAY BE SUBJECT TO CERTAIN RESTRICTIONS UNDER APPLICABLE EXPORT CONTROL LAWS AND REGULATIONS.</small>			mm DIMENSIONS IN [BRACKETS] ARE FOR REFERENCE ONLY	DATE	MATERIAL
				REFERENCE	PROCESS/FINISH BLACK PAINT
				THIRD ANGLE PROJECTION	SIZE C
				DRAWING NUMBER 71620941	SHEET 2 OF 2