

# PRODUCT INFORMATION PACKET

FASCO®

Model No: D1192  
Catalog No: D1192  
1/40 HP Draft Inducer Motor, 3000 RPM, 115 Volts, 3.3" Diameter, Semi Enclosed  
Draft Inducer Motors



Regal and Fasco are trademarks of Regal Rexnord Corporation or one of its affiliated companies.  
©2021 Regal Rexnord Corporation, All Rights Reserved. MC017097E

RegalRexnord



**Nameplate Specifications**

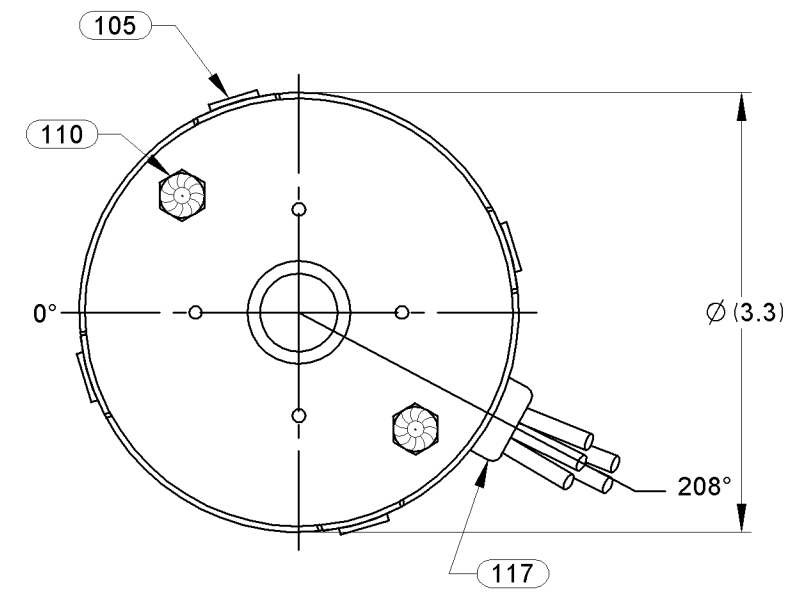
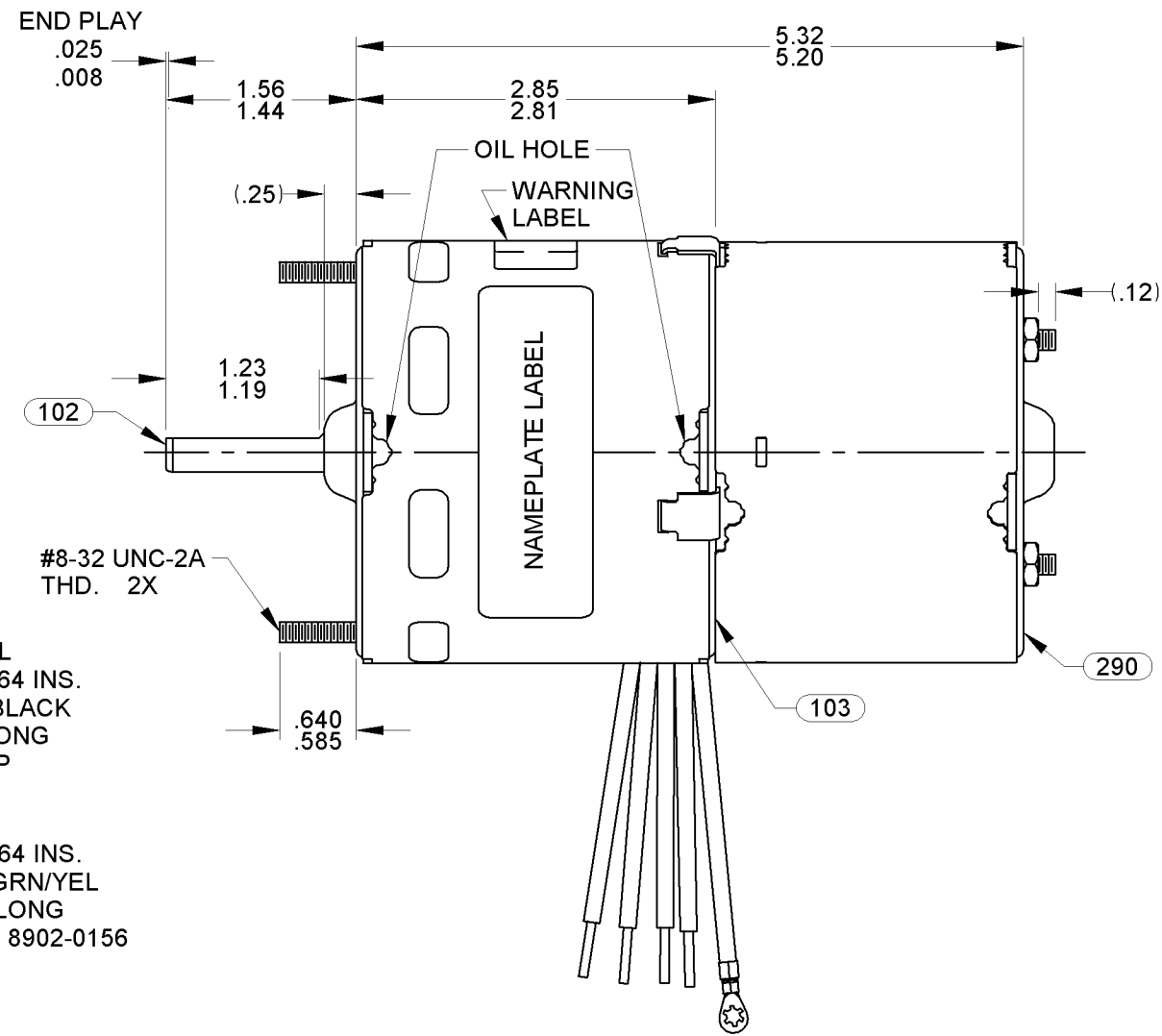
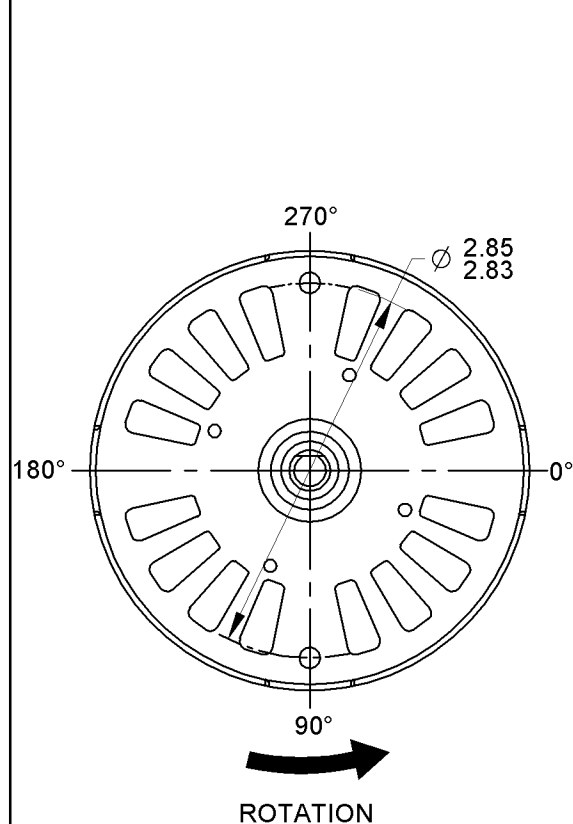
Output HP	1/40 Hp	Output KW	0.02 kW
Frequency	60 Hz	Voltage	115 V
Current	.70 A	Speed	3000 rpm
Service Factor	1	Phase	1
Duty	Air Over	Insulation Class	B
Frame	3.3	Enclosure	Open Air Over
Thermal Protection	Thermally Protected	Ambient Temperature	40 °C
UL	Recognized	CSA	Y
CE	N	Number of Speeds	1

**Technical Specifications**

Electrical Type	Shaded Pole	Starting Method	Across The Line
Poles	2	Rotation	Counterclockwise Shaft End
Mounting	Extended Studs	Drive End Bearing	Sleeve
Opp Drive End Bearing	Sleeve	Frame Material	Steel
Shaft Type	Flat	Overall Length	6.88 in
Frame Length	2.62 in	Shaft Diameter	0.313 in
Shaft Extension	1.50 in		
Connection Drawing	SEE OUTLINE	Outline Drawing	7121971206_S001

This is an uncontrolled document once printed or downloaded and is subject to change without notice. Date Created:10/11/2021

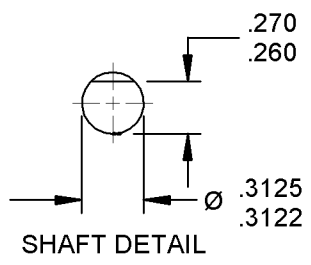
04	ADDED SH 2 TO MOTOR	10/14/2005	05	CHANGE NAMEPLATE TO 0046-4072, MOVE NOTES TO SHEET 2, CHANGE GROUND NOTE.	SDM 02/07/08	06	REMOVE BAR CODE FROM NAMEPLATE.	SDM 07/29/10	STANDARD TOLERANCES: ANGULAR +/- 1 DEGREE 2 PLACE DECIMAL +/- .01 3 PLACE DECIMAL +/- .005	
----	---------------------	------------	----	---	--------------	----	---------------------------------	--------------	---	--



LEAD MATERIAL  
18 GA. 125°C 2/64 INS.  
X-LINK POLY., BLACK  
10.00/8.00 IN. LONG  
.56/.44 IN. STRIP

GROUND LEAD  
18 GA. 125°C 2/64 INS.  
X-LINK POLY., GRN/YEL  
13.00/11.00 IN. LONG  
W/ RING TERM. 8902-0156  
AMP# 61794-1

SWITCH LEADS  
18 GA. 125°C 2/64 INS.  
X-LINK POLY., RED  
10.00/8.00 IN. LONG  
.56/.44 IN. STRIP



NOTES:  
1. NO PACKAGING TAPE OVER CARTON LABEL.

6129-4832

**SAFETY WARNING**  
This Motor Must Be Grounded  
In Accordance With Local Or  
National Electrical Codes  
To Prevent Possible Injury  
Due To Electrical Shock

0046-4072 0046-9183

**FASCO** Fasco Industries, Inc  
Motor Division

Assembled In Mexico  
No. 71219712 TYPE U21B T.P. AO  
115 V 60 Hz Class B  
.70 A 3000 RPM 1/40 HP  
Model D1192 Max Amb:40°C  
Switch 125VA-120V SW280-1 LR36496

Connection Diagram  
Blk — Line  
Blk — Line  
Red — Line  
Red — Line  
Grn/Yel — Grd

FRONT SHAFT POSITION		TYPICAL PERFORMANCE AT 115 VOLTS 60 Hz											CUSTOMER: FASCO DIST		<b>FASCO MOTORS GROUP</b> AC MOTOR/BLOWER DIVISION CONFIDENTIAL: DO NOT DUPLICATE OR DISCLOSE TO THIRD PARTIES WITHOUT WRITTEN PERMISSION OF FASCO MOTORS GROUP, AC MOTOR/BLOWER DIVISION.									
HORIZONTAL 		MOTOR SPEED	IDLE			LOADED			LOCKED			BREAK	PART NUMBER: D1192											
CUSTOMER APPROVAL:			R.P.M.	AMP.	WATT	IN.OZ.	R.P.M.	AMP.	WATT	IN.OZ.	AMP.	WATT	IN.OZ.	MOTOR WEIGHT: 2.75		MOTOR TYPE				DRAWING NUMBER				
SIGNED:													ENVIRONMENT: DRY		SHADED POLE				7121 9712					
DATE:													FINISH COLOR: BLACK		REV. 06									
													DRAWN BY: JMH		B	LA	FR	A	S	C	E	B	A	REV.
													DATE DRAWN: 10/14/2005		00	21	34	V	02	OF	5	3	0	06

If Printed, this is an Uncontrolled Document.

61299553