

PRODUCT INFORMATION PACKET

FASCO®

Model No: D1184
Catalog No: D1184
1/16 HP Draft Inducer Motor, 3450 RPM, 460 Volts, 3.3" Diameter, Semi Enclosed
Draft Inducer Motors



Regal and Fasco are trademarks of Regal Rexnord Corporation or one of its affiliated companies.
©2021 Regal Rexnord Corporation, All Rights Reserved. MC017097E

RegalRexnord



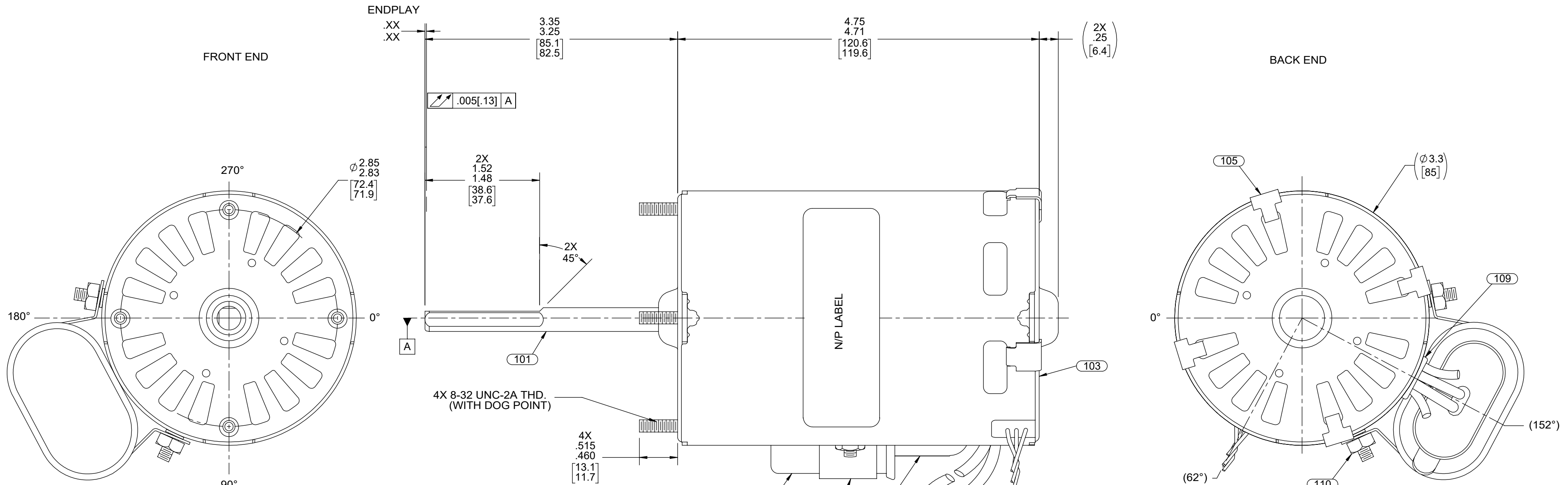
Nameplate Specifications

Output HP	1/16 Hp	Output KW	0.04 kW
Frequency	60 Hz	Voltage	460 V
Current	.3 A	Speed	3450 rpm
Service Factor	1	Phase	1
Duty	Air Over	Insulation Class	B
Frame	3.3	Enclosure	Open Air Over
Thermal Protection	Thermally Protected	Ambient Temperature	40 °C
UL	Recognized	CSA	Y
CE	N	Number of Speeds	1

Technical Specifications

Electrical Type	Permanent Split Capacitor	Starting Method	Across The Line
Poles	2	Rotation	Counterclockwise Shaft End
Mounting	Extended Studs	Drive End Bearing	Ball
Opp Drive End Bearing	Ball	Frame Material	Steel
Shaft Type	Double Flat	Overall Length	8.10 in
Frame Length	4.51 in	Shaft Diameter	0.312 in
Shaft Extension	3.35 in		
Connection Drawing	00469128	Outline Drawing	71624419

This is an uncontrolled document once printed or downloaded and is subject to change without notice. Date Created:10/11/2021



LEAD MATERIAL
18 GA 125° C 2/64 INSUL.
X-LINKED POLY,
BLACK, YELLOW
60.00/56.00 [1524.0/1422.4]
W/FSPADE TERMS.
AMP 2-520183-2

CAPACITOR LEADS
18 GA 125° C 2/64 INSUL.
X-LINKED POLY, BROWN
3.50/2.50 [88.9/63.5]
W/FLAG TERMS. 8903-4045
AMP 42742-2

SENSOR LEADS
22 GA 80° C MIN., 1/64 INSUL.
PVC, WHITE, RED, BLACK
43.00/41.00 [1092.2/1041.4]
W/MOLEX PIN TERMS. (08-55-0103)
& MOLEX HSG. (09-50-8033)

HALL DEVICE LEADS
Wht _____ Output
Red _____ Input
Blk _____ Return

NOTES:
1. PACK 108 MAX. MOTORS PER PALLET.
2. NO PACKAGING TAPE OVER CARTON LABEL.

6129 4176

WARNING

WHEN OPERATED ON 460 V. SPECIAL CARE SHOULD BE TAKEN WITH HANDLING, CONNECTIONS AND GROUNDING TO AVOID SHOCK HAZARD.

6130 5568

AVERTISSEMENT DE SÉCURITÉ
Ce moteur doit être fondée sur conformément à la réglementation locale ou national électrique codes pour prévenir d'éventuelles blessures en raison de choc électrique

This motor must be grounded in accordance with local or national electrical codes to prevent possible injury due to electrical shock

00464072

00469128

FASCO

Assembled In Mexico
No. 71624419 TYPE U62B1 HV1 T.P. AO LR6319
460 V 60 Hz Class B
0.3 A 3450 RPM
Model D1184

Connection Diagram

Blk _____ line
Blu _____ line
Brn _____
Brn _____

4 MFD/370 VAC

61299553

CUSTOMER PN:	D1184	ENVIRONMENT:	WET
CUSTOMER:	FASCO DIST.	APPLICATION:	ROOF TOP VENT
		MOTOR WEIGHT:	5.00 LBS.

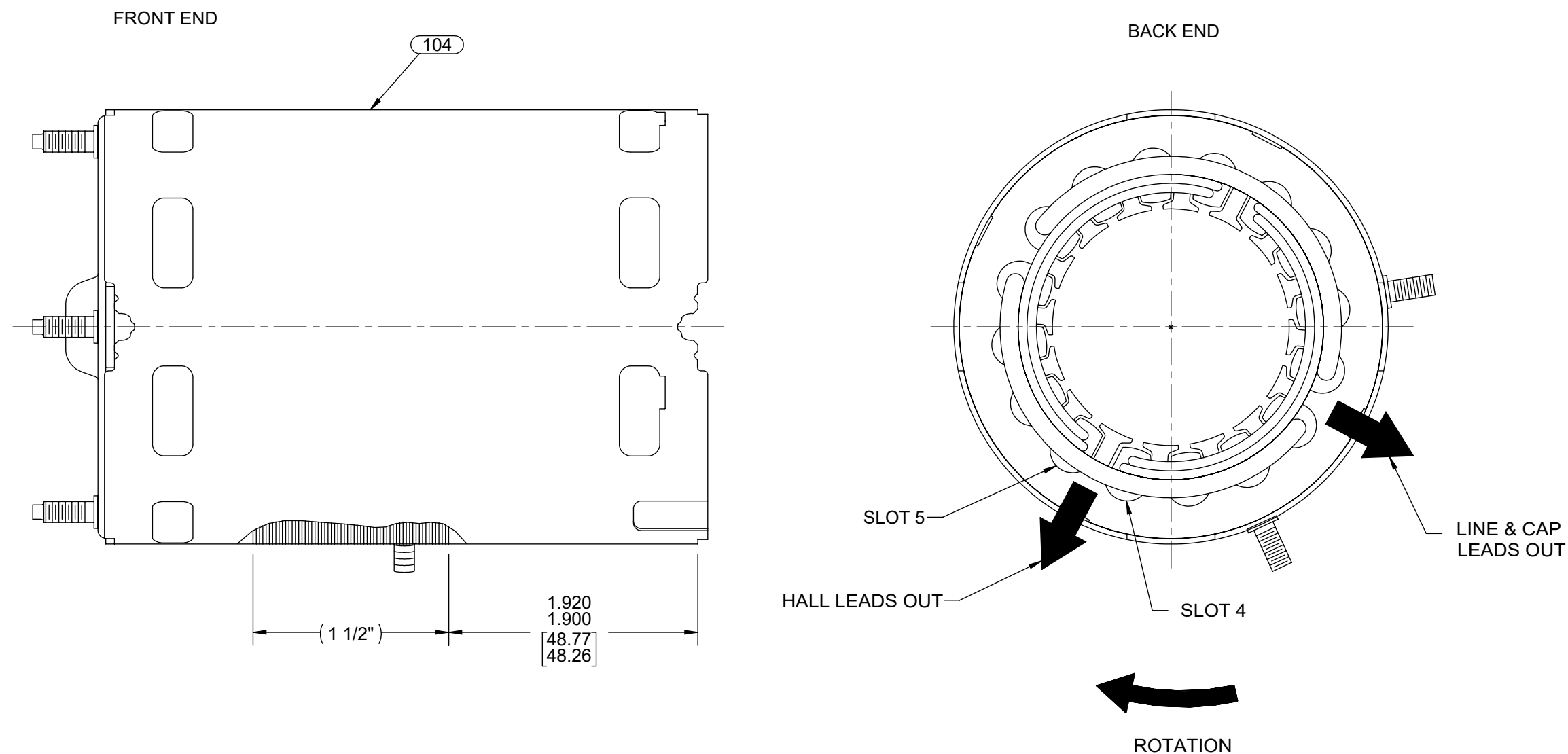
CUSTOMER APPROVAL		FRONT SHAFT POSITION		MOTOR TYPE						REFERENCE SAMPLE NUMBER				
		UP		P.S.C.						71624419				
SIGNED:		HORIZONTAL		B	LA	FR	A	S	C	E	B	A		
DATE:		DOWN		00	62	30	V	06	GV	5	0	0		
TYPICAL PERFORMANCE AT 208-230 VOLTS 50/60 HZ				IDLE				FULL LOAD				LOCKED		BREAK
MOTOR SPEED	RPM	AMP	WATT	IN OZ	RPM	AMP	WATT	IN OZ	AMP	WATT	IN OZ	WATT	IN OZ	
	3578	.14	61	26.0	3450	.24	107	17.8	.73	314	55.1			

APPLY IN A CONVENIENT LOCATION TO READ FROM BACK END

DRAWING REVISION RA	REVISION BY KKM	REV DATE/© DATE 6/15/2021	TOLERANCES (EXCEPT AS NOTED): DEC. INCH mm ANGLE	DRAWN BY TANNT, HIBES	REGAL [®] Regal Beloit America, Inc.
ECO ECR-0210043	APPROVED BY MLS	DATE 6/15/2021	.X ±0.1 [±3] .XX ±0.01 [±0.3] .XXX ±0.005 [±0.13] .XXXX ±0.0005 [±0.013]	DATE 01-21-2003	DESCRIPTION OUTLINE MOTOR ASSY.
ECO DESCRIPTION REMOVE IND AND INC FROM LABEL			REMOVE BURRS & BREAK SHARP EDGES: .003/.015 [.08/.38] X 45° CORNER FILLETS: R.02 [.5] MACHINED SURFACES: .125/ mm 3.2 INCH √ mm	APPROVED BY	MATERIAL PROCESS/FINISH BLACK
COPYRIGHT (PER REVISION DATE) REGAL BELOIT AMERICA, INC. ALL RIGHTS RESERVED. PROPRIETARY AND CONFIDENTIAL INFORMATION - THIS DOCUMENT IS THE PROPERTY OF REGAL BELOIT AMERICA, INC. (OWNER) AND CONTAINS OWNER'S PROPRIETARY INFORMATION. ANY PERSON, CORPORATION OR OTHER FIRM RECEIVING IT IS DEEMED, BY RECEIVING IT, TO AGREE THAT IT, AND/OR ANY PART OF IT, SHALL NOT BE DISCLOSED TO ANY PERSON, CORPORATION OR OTHER ENTITY, DUPLICATED, AND/OR USED, EXCEPT AS EXPRESSLY APPROVED IN WRITING IN ADVANCE BY OWNER. THIS DOCUMENT SHALL BE RETURNED TO OWNER UPON REQUEST. IT MAY BE SUBJECT TO CERTAIN RESTRICTIONS UNDER APPLICABLE EXPORT CONTROL LAWS AND REGULATIONS.			mm DIMENSIONS IN [BRACKETS] ARE FOR REFERENCE ONLY	THIRD ANGLE PROJECTION	SIZE DRAWING NUMBER 71624419
				SHEET 1 OF 2	

NOTES:

1. STAKE STATOR TO MAIN FRAME PER 88830264.
2. MAXIMUM TORQUE REQUIRED TO TURN MOTOR SHAFT IS 3/8 INCH-OUNCE.
3. ASSEMBLE SPRING BETWEEN WASHER AND BEARING ON FRONT END, WITH SPRING FINGERS TOWARDS BEARING.
4. ASSEMBLE BALL BEARINGS TO BEARING RETAINERS 88834419. ADD A LINE OF LOCTITE 410 APPROXIMATELY .050[1.27] WIDE AROUND THE O.D. OF THE RETAINER FLANGE FACE. TACHOMETER RING WILL WIPE ADHESIVE DOWN ON RETAINER AS IT IS INSTALLED. PUSH THE TACHOMETER RING INTO THE NOTCH ON THE BEARING RETAINER. WITH THE BEARING RETAINER UP, LET THE LOCTITE SET UP FOR 6 TO 8 HOURS MINIMUM. AFTER ALLOWING THE LOCTITE TO SET UP, THE TACHOMETER RING MUST WITHSTAND 20 LBS. MINIMUM RADIAL LOAD TEST AFTER ASSEMBLED TO BEARING RETAINER. REJECT ANY THAT DO NOT HOLD.
5. CUT BROWN LEADS TO LENGTH, STRIP TO .22 ± .06[5.5 ± 1.5] AND ASSEMBLE TERMINALS.
6. LINE LEADS ARE TO BE HANKED.
7. ATTACHED TERMINALS MUST MEET SPECIFICATIONS ON 88834229.



PACKING SPECIFICATIONS

1. PACK PER 8883 4200. 1 PER CARTON, 18 PER LAYER, 108 MAX PER PALLET, 6 LAYERS PER PALLET.
2. PLACE FILLER TUBE OVER SHAFT EXTENSION, FOAM RING ON BACK END, PLACE MOTOR IN CARTON, CLOSE FLAPS AND TAPE. PLACE CARTON LABEL ON SHAFT END OF CARTON.
3. CARTON LABELS MUST ALL FACE ONE DIRECTION TOWARD THE OPEN END OF THE PALLET. SEE 88834408.
4. PLACE (1) FLAT PAD ON PALLET, (1) BETWEEN EACH LAYER AND (1) ON TOP.
5. PLACE ALL INSPECTION STICKERS AND WRITING ON TOP FLAT PAD.

DRAWING REVISION RA	REVISION BY KKM	REV DATE/DATE 6/15/2021	TOLERANCES (EXCEPT AS NOTED): DEC. INCH mm ANGLE	DRAWN BY TANNT, HIBES	Regal Beloit America, Inc.
ECO ECR-0210043	APPROVED BY MLS	DATE 6/15/2021	.X ±0.1 [±3] ±1° .XX ±0.01 [±0.3] .XXX ±0.005 [±0.13] .XXXX ±0.0005 [±0.013]	DATE 01-21-2003	
ECO DESCRIPTION REMOVE IND AND INC FROM LABEL			REMOVE BURRS & BREAK SHARP EDGES: .003/.015 [.08/.38] X 45° CORNER FILLETS: R.02 [5] MACHINED SURFACES: .125/ mm 3.2 mm DIMENSIONS IN [BRACKETS] ARE FOR REFERENCE ONLY	APPROVED BY	DESCRIPTION OUTLINE MOTOR ASSY.
COPYRIGHT (PER REVISION DATE) REGAL BELOIT AMERICA, INC. ALL RIGHTS RESERVED. PROPRIETARY AND CONFIDENTIAL INFORMATION - THIS DOCUMENT IS THE PROPERTY OF REGAL BELOIT AMERICA, INC. ("OWNER") AND CONTAINS OWNER'S PROPRIETARY INFORMATION. ANY PERSON, CORPORATION OR OTHER FIRM RECEIVING IT IS DEEMED, BY RECEIVING IT, TO AGREE THAT IT, AND/OR ANY PART OF IT, SHALL NOT BE DISCLOSED TO ANY PERSON, CORPORATION OR OTHER ENTITY, DUPLICATED, AND/OR USED, EXCEPT AS EXPRESSLY APPROVED IN WRITING IN ADVANCE BY OWNER. THIS DOCUMENT SHALL BE RETURNED TO OWNER UPON REQUEST. IT MAY BE SUBJECT TO CERTAIN RESTRICTIONS UNDER APPLICABLE EXPORT CONTROL LAWS AND REGULATIONS.			REFERENCE	MATERIAL	PROCESS/FINISH BLACK
			THIRD ANGLE PROJECTION	SIZE C	DRAWING NUMBER 71624419
					SHEET 2 OF 2