

PRODUCT INFORMATION PACKET



Model No: C721A
Catalog No: C721A
1/4 HP Transformer Cooling Fan Motor, 1725/1425 RPM, 2 Speed, 208-230 Volts, 48 Frame, TEAO
Transformer Cooling Fan Motors



Regal and Century are trademarks of Regal Rexnord Corporation or one of its affiliated companies.
©2021 Regal Rexnord Corporation, All Rights Reserved. MC017097E





Nameplate Specifications

Output HP	1/4 Hp	Output KW	0.19 kW
Frequency	60 Hz	Voltage	208-230 V
Current	1.2/1.4 A	Speed	1725/1425 rpm
Service Factor	1	Phase	1
Duty	Air Over	Insulation Class	B
Frame	F48Y	Enclosure	Totally Enclosed
Thermal Protection	Automatic	Ambient Temperature	40 °C
UL	Recognized	CSA	Y
CE	N	Number of Speeds	2

Technical Specifications

Electrical Type	Permanent Split Capacitor	Starting Method	Across The Line
Poles	4	Rotation	Reversible
Mounting	Rigid Base	Motor Orientation	Any
Drive End Bearing	Ball	Opp Drive End Bearing	Ball
Frame Material	Rolled Steel	Shaft Type	Keyed
Overall Length	9.39 in	Frame Length	5.13 in
Shaft Diameter	0.625 in	Shaft Extension	3.0 in
Connection Drawing	614131-358	Outline Drawing	F48AA73A01-S01

This is an uncontrolled document once printed or downloaded and is subject to change without notice. Date Created:11/14/2021

4

3

2

1

GENERAL INFORMATION:

SHAFT RUNOUT: .001[.03] T.I.R. PER INCH LENGTH OF EXTENSION

BEARINGS: BALL

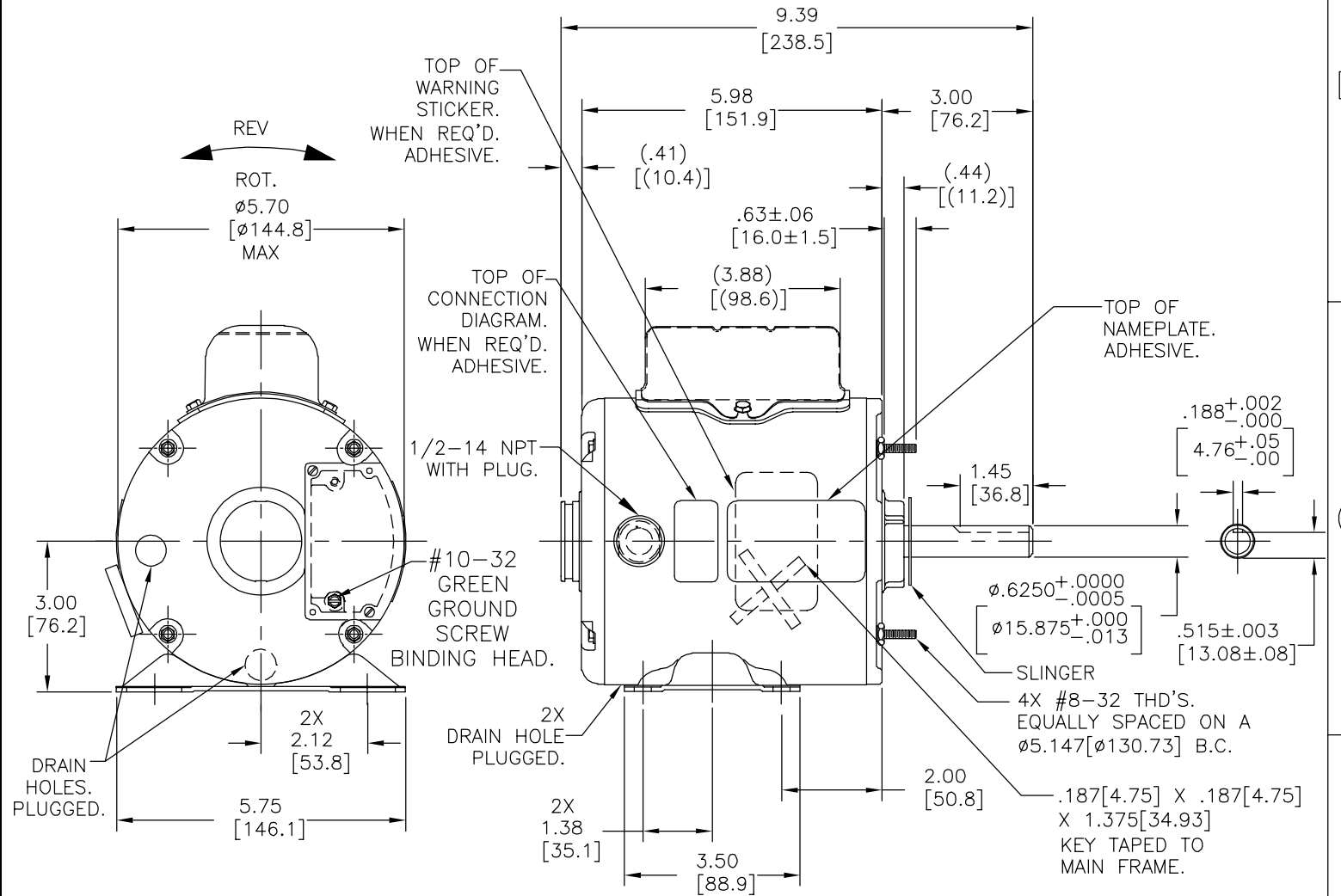
MOUNTING POSITION: ALL ANGLE

ELECTRICAL DATA:

OVERLOAD PROTECTOR: AUTOMATIC RESET (T.I. 7AM 036)

LEADS: NO. 18 GA., .03[.8] THK. 125°C INSUL.

REV	ECO	REV BY	DATE	APPD	DATE
E	0025540	L. BERNAL	04-24-2012	D. BALDERRAMA	04-24-2012



NAMEPLATE DATA:	EXTERNAL CONNECTION DIAGRAM
MODEL NO.: F48AA73A01 CUST. P/N: C721A HP: 1/4 ROT.: REV. RPM: 1725/1425 TYPE: UF FRAME: 48Y VOLTS: 208-230 PH: 1 AMPS: 1.2/1.4 HZ: 60/50 INS.: B AMB.: 40° C DUTY: AIR OVER CAP.: 5 MFD/370 V ENCL: ENCLOSED UL LOGO CSA LOGO THERMALLY PROTECTED	

COLOR	LENGTH	TERMINAL OR STRIP LENGTH
BLUE	5.0/7.0 [127/178]	.25[6.4] FLAG
BROWN	5.0/7.0 [127/178]	.25[6.4] FLAG
BLUE	5.0/7.0 [127/178]	.50[12.7] SKIN
YELLOW/BLACK	5.0/7.0 [127/178]	.50[12.7] SKIN
BLACK	5.0/7.0 [127/178]	.50[12.7] SKIN
YELLOW	5.0/7.0 [127/178]	.50[12.7] SKIN
RED	5.0/7.0 [127/178]	.50[12.7] SKIN

NOTE:
1. SHIP MOTOR CONNECTED FOR CCWLE ROTATION.

ENCLOSURE	CUSTOMER	DISTRIBUTION SERVICES
MAIN FRAME - OLE	ENCLOSED WITH DRAIN PLUG	
END FRAME - OLE	ENCLOSED	
MAIN FRAME - LE	ENCLOSED WITH DRAIN PLUG	
END FRAME - LE	ENCLOSED	

PERFORMANCE CURVE NO.	TORQUE @ 1725 RPM (25°C)	APPROVED SAMPLE	UL COMPONENT	CSA
C32828	11.0 OZ. FT.	0603157B	FILE # E46412 PRGY2	FILE # LR43341 CLASS # 4211-01

GEOMETRIC CHARACTERISTICS & SYMBOLS
 ▽ FLATNESS
 - STRAIGHTNESS
 ∠ ANGULARITY
 ⊥ PERPENDICULARITY (SQUARENESS)
 ∥ PARALLELISM
 ○ ROUNDNESS (CIRCULARITY)
 ⌀ CYLINDRICITY
 △ PROFILE OF ANY SURFACE
 ∩ PROFILE OF ANY LINE
 ↗ RUNOUT
 ⊕ TRUE POSITION
 ⊙ CONCENTRICITY
 = SYMMETRY
 ASME Y14.5M 1994

REGAL-BELOIT CORPORATION (RBC) PROVIDES TECHNICAL ASSISTANCE TO OUR CUSTOMERS IN SEVERAL AREAS. SINCE RBC DOES NOT RECEIVE ALL DATA CONCERNING THE USE AND APPLICATION OF THE MOTOR, THE SUITABILITY OF THE MOTOR FOR THE APPLICATION MUST BE DETERMINED BY THE CUSTOMER.
 DIMENSIONS WITHOUT TOLERANCES ARE FOR REFERENCE ONLY.

DR BY: CADDIE.ZHOU 02-17-2008
 APPD: XIAOLIN 08-04-2008
 THIRD ANGLE PROJECTION
 EDS DATE 11-11-2011
 FORMAT REV G
 CONFIDENTIAL: THIS DRAWING AND ITS INFORMATION ARE THE EXCLUSIVE AND CONFIDENTIAL PROPERTY OF REGAL-BELOIT CORPORATION AND ARE NOT TO BE DISCLOSED, DUPLICATED, DISTRIBUTED OR OTHERWISE USED WITHOUT THE WRITTEN CONSENT OF REGAL-BELOIT CORPORATION. -ALL RIGHTS RESERVED.

DESCRIPTION MODEL-RFHP-48FR OUTLINE	
SIZE C	DWG NO F48AA73A01
SCALE NONE	SHEET 1

4

3

2

1

4

3

2

1

INFORMACION GENERAL:

OSCILACION DE FLECHA: .001[.03] L.T.I. POR PULGADA DE LONGITUD DE EXTENSION.

BALEROS: BALEROS

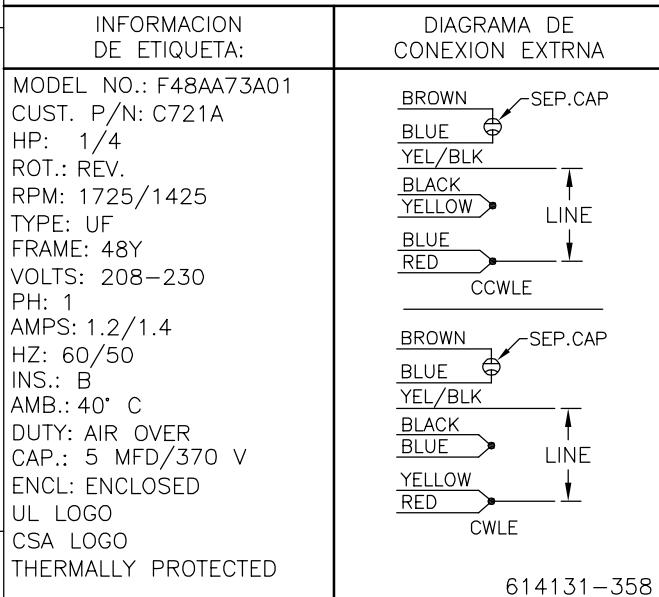
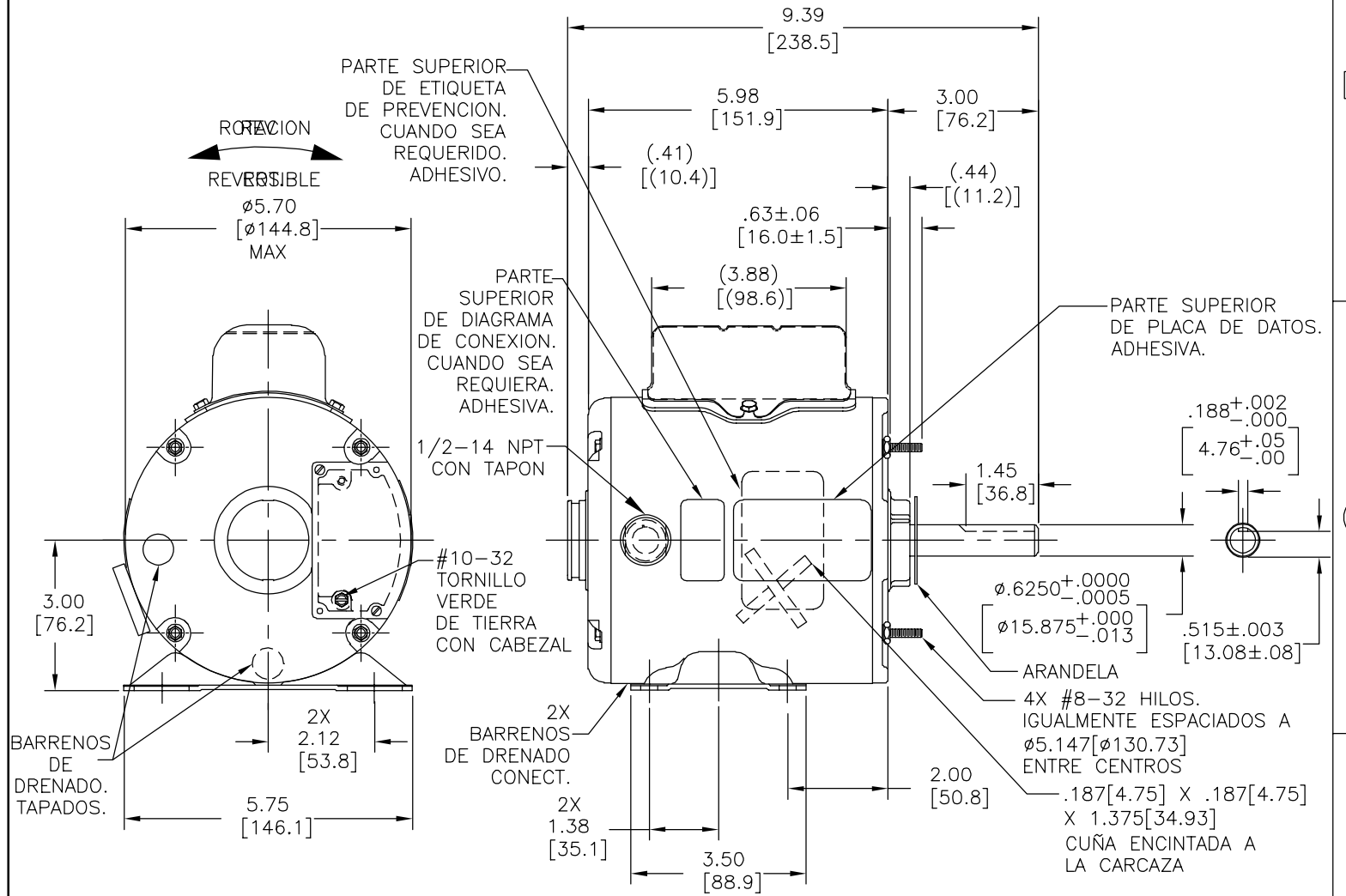
POSICION DEL MONTAJE: TODOS LOS ANGULOS

INFORMACION ELECTRICA:

PROTECTOR DE SOBRECARGA: REINICIO AUTOMATICO (T.I. 7AM 036)

CABLES: AISLANTE CALIBRE 18GA., .03[.8] GROSOR 125°C.

REVISION:	ECO	REVISADO POR:	FECHA:	APROBADO POR:	FECHA:
E	0025540	L. BERNAL	04-24-2012	D. BALDERRAMA	04-24-2012



AZUL	CONECTADO AL CAPACITOR	.25[6.4] BANDERA
CAFE	CONECTADO AL CAPACITOR	.25[6.4] BANDERA
AZUL	5.0/7.0	.50[12.7] FORRO
AMRILLO/NEGRO	5.0/7.0	.50[12.7] FORRO
NEGRO	5.0/7.0	.50[12.7] FORRO
AMARILLO	5.0/7.0	.50[12.7] FORRO
ROJO	5.0/7.0	.50[12.7] FORRO
COLOR	LONGITUD	TERMINAL O LONGITUD DE DESFORRE

NOTA: ENMARCAR EL MOTOR CONECTADO PARA UNA ROTACION EN SENTIDO CONTRARIO A LAS MANECILLAS DEL RELOJ Y A 115V.

CURVAS DE FUNCIONAMIENTO	TORSION @ 1725 RPM (25°C)	MUESTRA APROBADA	COMPONENTE UL	CSA
C32828	11.0 OZ. FT.	0603157B	#ARCHIVO PRGY2	LR43341 4211-01

CARCAZA - LOC	CERRADO CON TAPON DE DRENADO
TAPA - LOC	CERRADO CON TAPON DE DRENADO
CARCAZA - LC	CERRADO CON TAPON DE DRENADO
TAPA - LC	CERRADO CON TAPON DE DRENADO

CLIENTE	DISTRIBUTION SERVICES
---------	-----------------------

CARACTERISTICAS DE GEOMETRIA Y SIMBOLOS
 □ PLANICIDAD
 ⊥ RECTITUD
 ∠ ANGULARIDAD
 ⊥ PERPENDICULARIDAD (A ESCUADRA)
 // PARALELISMO
 ○ REDONDEZ (CIRCULARIDAD)
 ∅ CILINDRICIDAD
 △ PERFIL DE CUALQUIER SUPERFICIE
 ∩ PERFIL DE CUALQUIER LINEA
 ↗ VARIACION
 ⊕ POSICION REAL
 ⊙ CONCENTRICIDAD
 = SIMETRIA

REGAL-BELOIT CORPORATION (RBC) PROVEE ASISTENCIA TECNICA A NUESTROS CLIENTES EN VARIAS AREAS. DESDE QUE RBC NO RECIBE TODOS LOS DATOS EN RELACION AL USO Y A LA APLICACION DEL MOTOR, LA APLICACION ADECUADA DEL MOTOR DEBE SER DETERMINADA POR EL CLIENTE.

DIBUJADO POR: CADDIE.ZHOU 02-17-2008
 APROBADO POR: XIAOLIN 08-04-2008
 TERCER ANGULO DE PROYECCION
 CONFIDENCIAL: ESTE DIBUJO Y SU INFORMACION SON PROPIEDAD DE USO EXCLUSIVO Y CONFIDENCIAL DE REGAL-BELOIT CORPORATION. Y NO DEBERAN SER REVELADOS, DUPLICADOS, DISTRIBUIDOS O USARSE DE OTRA MANERA SIN EL CONSENTIMIENTO ESCRITO DE REGAL-BELOIT CORPORATION. -TODOS LOS DERECHOS RESERVADOS.

REGAL-BELOIT CORPORATION

DESCRIPCION: MODEL-RFHP-48FR OUTLINE

TAMAÑO: C NUMERO DE DIBUJO: F48AA73A01

ESCALA: NONE HOJA: 1

4

3

2

1

4

3

2

1

总技术要求:

轴跳动: 0.03/25.4mm(外伸轴).

轴承: 203 球轴承.

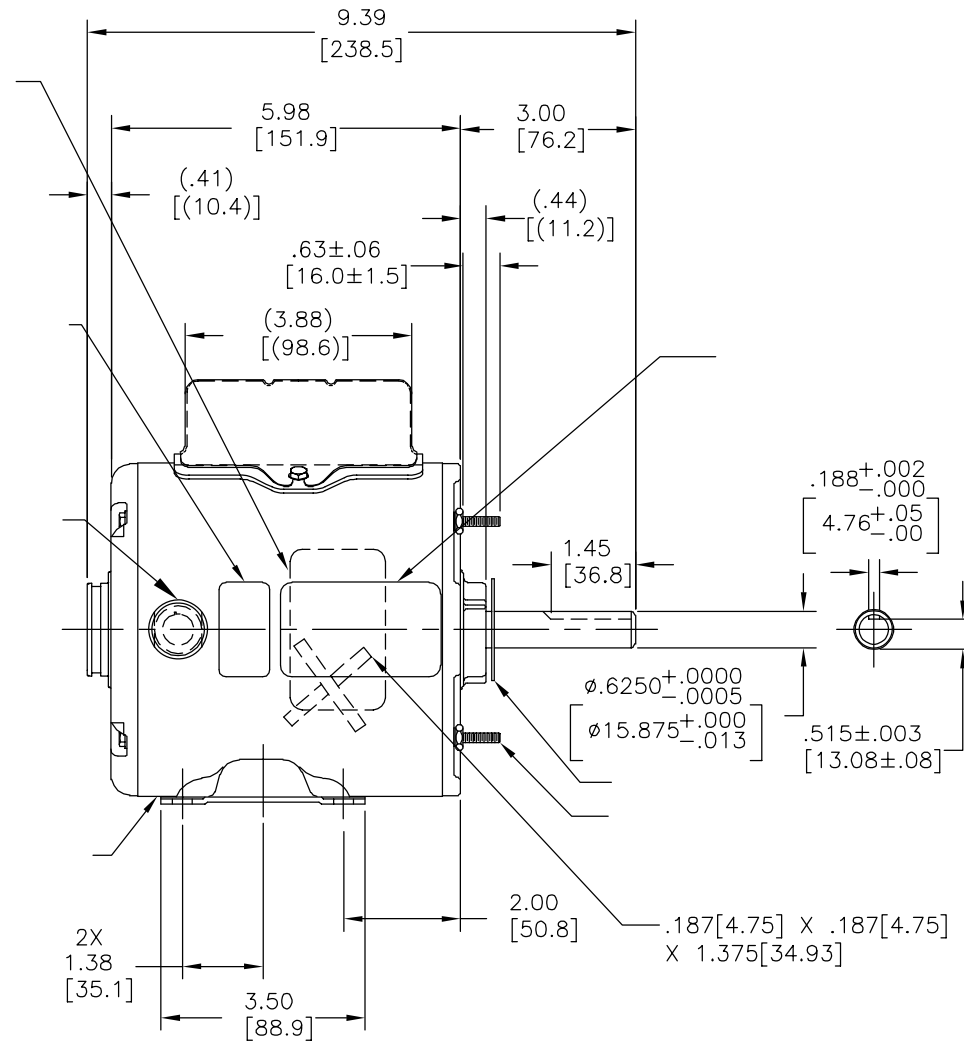
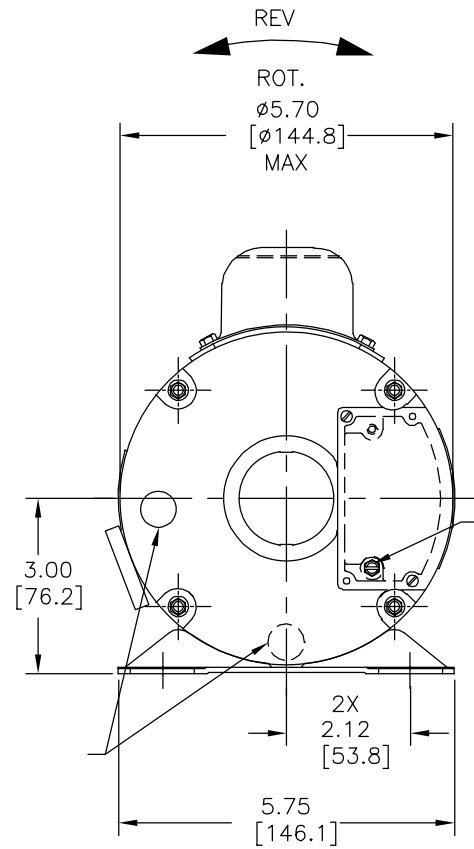
安装位置: 垂直 - 轴向下

电气数据:

过载保护: 自动复位 (T.I. 7AM 036)

引线: 18GA, 厚.03[.8] 125°C 绝缘

版本	ECO	编制	日期	批准	日期
E	0025540	L. BERNAL	04-24-2012	D. BALDERRAMA	04-24-2012



铭牌数据	外部数据线
MODEL NO.: F48AA73A01 CUST. P/N: C721A HP: 1/4 ROT.: REV. RPM: 1725/1425 TYPE: UF FRAME: 48Y VOLTS: 208-230 PH: 1 AMPS: 1.2/1.4 HZ: 60/50 INS.: B AMB.: 40° C DUTY: AIR OVER CAP.: 5 MFD/370 V ENCL: ENCLOSED UL LOGO CSA LOGO THERMALLY PROTECTED	
	614131-358

颜色	长度	端子或剥线长度
	5.0/7.0	
	[127/178]	
	5.0/7.0	
	[127/178]	
	5.0/7.0	
	[127/178]	
	5.0/7.0	
	[127/178]	
	5.0/7.0	
	[127/178]	

无引线端机壳	
无引线端端盖	
有引线端机壳	
有引线端端盖	

用户	DISTRIBUTION SERVICES
----	-----------------------

性能曲线编号	转矩在 @ RPM (25° C)	批准样品	UL部件	CSA
C32828	11.0 OZ. FT.	O603157B	文件号 指南	文件号 指南
			E46412 PRGY2	LR43341 4211-01

- 形位公差
- 平面度
- 直线度
- ∠ 倾斜度
- ⊥ 垂直度
- // 平行度
- 圆度
- ⊘ 圆柱度
- ⊖ 面轮廓度
- ⊖ 线轮廓度
- ↗ 圆跳动
- ⊕ 位置度
- ⊙ 同轴度
- ≡ 对称度

ASME Y14.5M 1994

REGAL-BELOIT CORPORATION (RBC) 在个别领域为客户提供技术支持。鉴于RBC未收到任何涉及电机使用和应用环境的数据, 电机的适用性由客户自己决定。

未注公差尺寸仅供参考。

绘图:	CADDIE.ZHOU	02-17-2008
批准:	XIAOLIN	08-04-2008
第三角投影		图纸格式发布日期 11-11-2011 图纸格式版本 G
机密:	本图纸及相关信息所有权归REGAL-BELOIT CORPORATION。未经REGAL-BELOIT CORPORATION书面授权, 不得泄露、复制、传播或作其他用途。一版权所有	

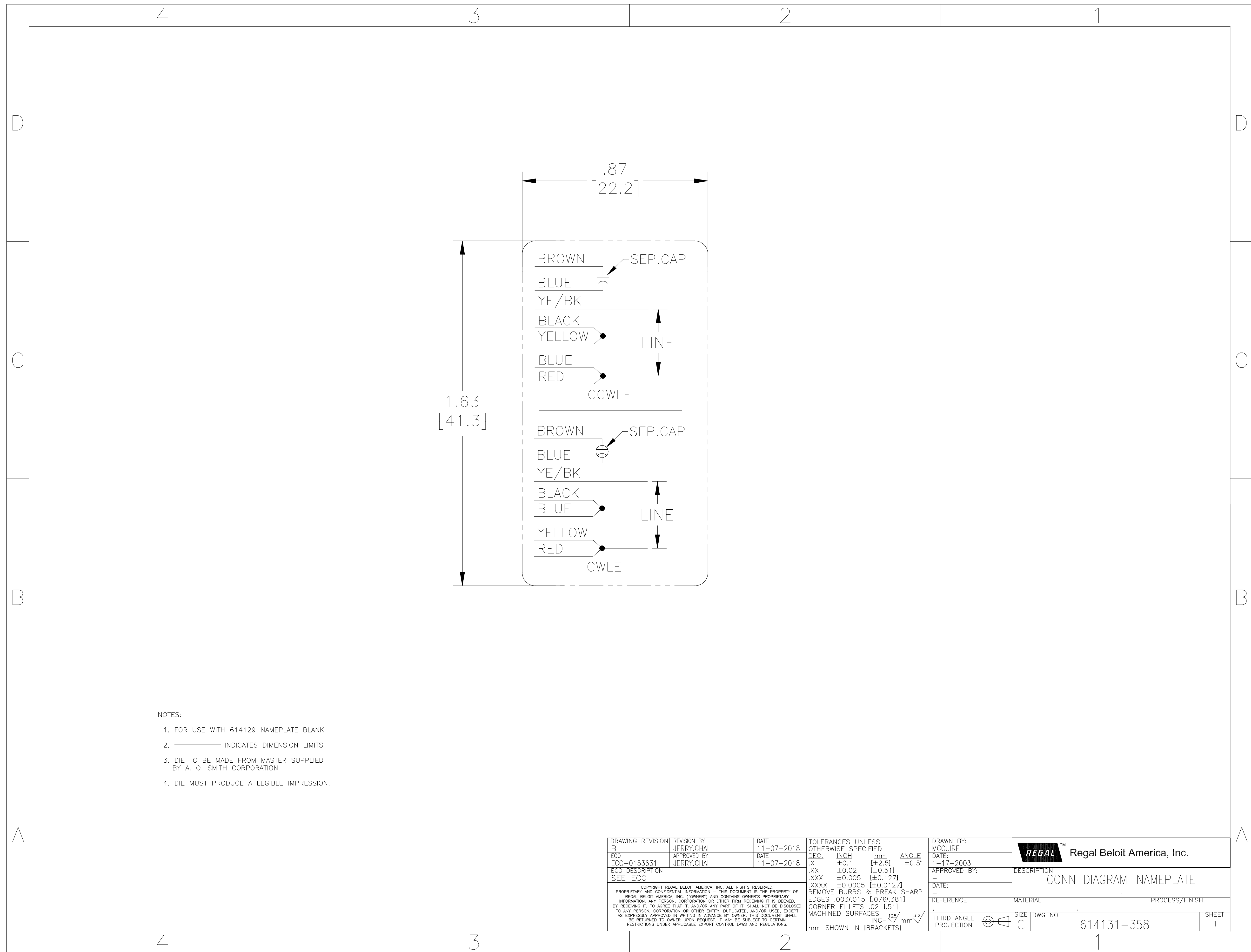
名称	MODEL-RFHP-48FR OUTLINE
图幅	C
图号	F48AA73A01
比例	NONE
页号	1

4

3

2

1



- NOTES:
1. FOR USE WITH 614129 NAMEPLATE BLANK
 2. ——— INDICATES DIMENSION LIMITS
 3. DIE TO BE MADE FROM MASTER SUPPLIED BY A. O. SMITH CORPORATION
 4. DIE MUST PRODUCE A LEGIBLE IMPRESSION.

DRAWING REVISION B	REVISION BY JERRY CHAI	DATE 11-07-2018	TOLERANCES UNLESS OTHERWISE SPECIFIED	DRAWN BY: MCGUIRE	Regal Beloit America, Inc.
ECO ECO-0153631	APPROVED BY JERRY CHAI	DATE 11-07-2018	DEC. INCH mm ANGLE .XX ±0.1 [±2.5] ±0.5° .XX ±0.02 [±0.51] .XXX ±0.005 [±0.127] .XXXX ±0.0005 [±0.0127]	DATE: 1-17-2003	
ECO DESCRIPTION SEE ECO			REMOVE BURRS & BREAK SHARP EDGES .0031.015 [0.076/.381] CORNER FILLETS .02 [.51] MACHINED SURFACES \sqrt{R} INCH/mm \sqrt{R} mm SHOWN IN [BRACKETS]	APPROVED BY: —	DESCRIPTION CONN DIAGRAM-NAMEPLATE
<small>COPYRIGHT REGAL BELOIT AMERICA, INC. ALL RIGHTS RESERVED. PROPRIETARY AND CONFIDENTIAL INFORMATION - THIS DOCUMENT IS THE PROPERTY OF REGAL BELOIT AMERICA, INC. (OWNER) AND CONTAINS OWNER'S PROPRIETARY INFORMATION. ANY PERSON, CORPORATION OR OTHER FIRM RECEIVING IT IS DEEMED BY RECEIVING IT, TO AGREE THAT IT, AND/OR ANY PART OF IT, SHALL NOT BE DISCLOSED TO ANY PERSON, CORPORATION OR OTHER ENTITY, DUPLICATED, AND/OR USED, EXCEPT AS EXPRESSLY APPROVED IN WRITING IN ADVANCE BY OWNER. THIS DOCUMENT SHALL BE RETURNED TO OWNER UPON REQUEST. IT MAY BE SUBJECT TO CERTAIN RESTRICTIONS UNDER APPLICABLE EXPORT CONTROL LAWS AND REGULATIONS.</small>			REFERENCE	DATE: —	MATERIAL
			THIRD ANGLE PROJECTION	—	PROCESS/FINISH
				SIZE DWG NO C 614131-358	SHEET 1