

# PRODUCT INFORMATION PACKET



Model No: C581V1  
Catalog No: C581V1  
.75 HP Belt Drive Fan Motor, 1 phase, 1800 RPM, 115/230 V, 56 Frame, TEAO  
Belt Drive Fan Motors



Regal and Century are trademarks of Regal Rexnord Corporation or one of its affiliated companies.  
©2021 Regal Rexnord Corporation, All Rights Reserved. MC017097E





### Nameplate Specifications

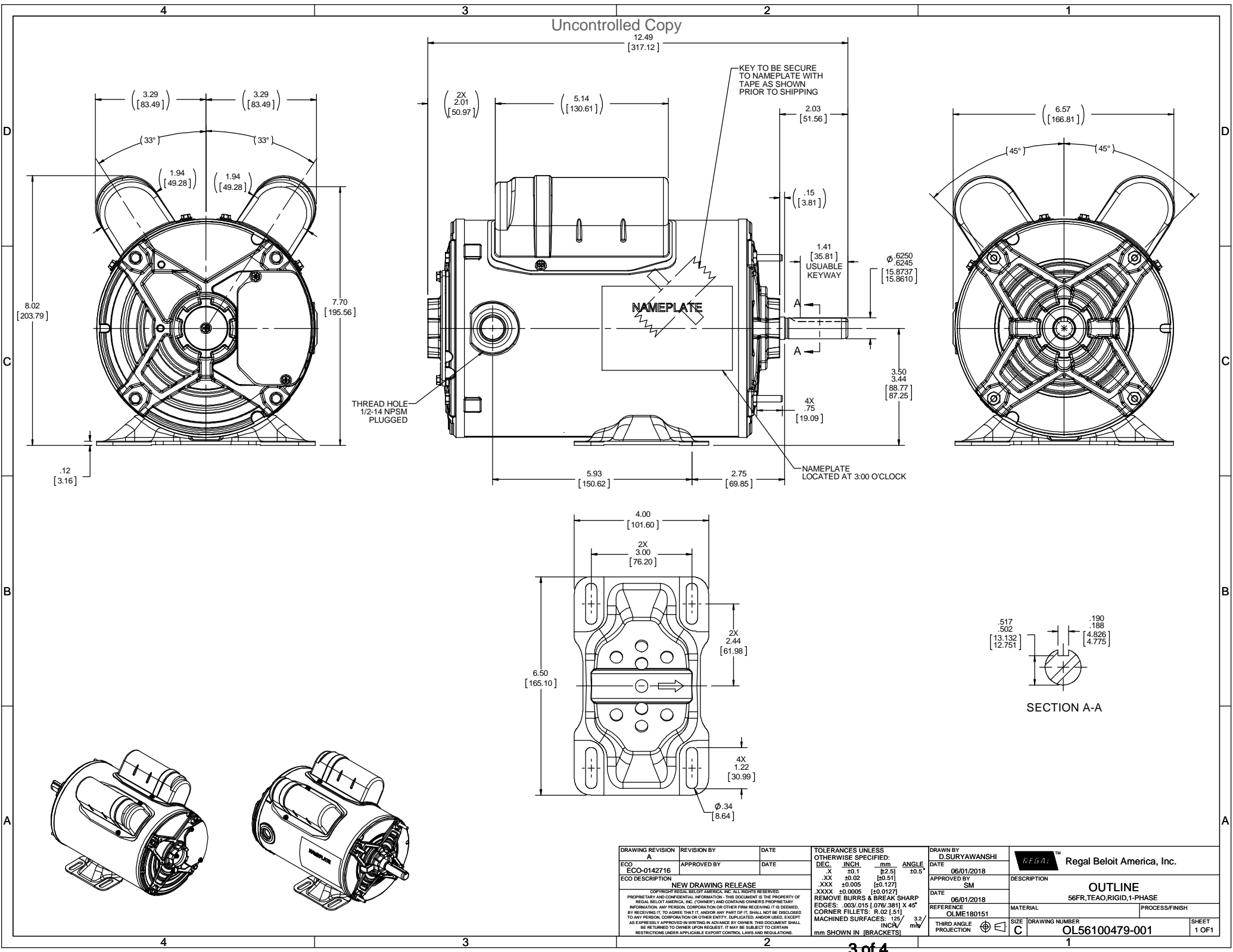
Output HP	<b>.75 Hp</b>	Output KW	<b>0.56 kW</b>
Frequency	<b>60 Hz</b>	Voltage	<b>115/230 V</b>
Current	<b>5.8/2.9 A</b>	Speed	<b>1725 rpm</b>
Service Factor	<b>1</b>	Phase	<b>1</b>
Efficiency	<b>82.5 %</b>	Duty	<b>Continuous</b>
Insulation Class	<b>B</b>	Frame	<b>56</b>
Enclosure	<b>Totally Enclosed Air Over</b>	Thermal Protection	<b>Thermally Protected</b>
Ambient Temperature	<b>40 °C</b>	UL	<b>Recognized</b>
CSA	<b>Y</b>	CE	<b>N</b>
Number of Speeds	<b>1</b>		

### Technical Specifications

Electrical Type	<b>Capacitor Start Capacitor Run</b>	Starting Method	<b>Across The Line</b>
Poles	<b>4</b>	Rotation	<b>Selective Counterclockwise</b>
Mounting	<b>Rigid Base</b>	Drive End Bearing	<b>Ball</b>
Opp Drive End Bearing	<b>Ball</b>	Frame Material	<b>Rolled Steel</b>
Shaft Type	<b>NEMA 56</b>	Overall Length	<b>12.49 in</b>
Frame Length	<b>8.15 in</b>	Shaft Diameter	<b>0.625 in</b>
Shaft Extension	<b>2.03 in</b>		
Connection Drawing	<b>DD10109-001</b>	Outline Drawing	<b>OL56100479-001</b>

This is an uncontrolled document once printed or downloaded and is subject to change without notice. Date Created:10/07/2021

Uncontrolled Copy



DRAWING REVISION A		REVISION BY	DATE	TOLERANCES UNLESS OTHERWISE SPECIFIED:		DRAWN BY D.SURYAWANSHI	Regal Beloit America, Inc.
ECO	ECO-0142716	APPROVED BY	DATE	DEC.	INCH mm ANGLE	DATE	
NEW DRAWING RELEASE				.X	±0.1 [±2.5]	06/01/2018	DESCRIPTION
<small>COPYRIGHT REGAL BELOIT AMERICA, INC. ALL RIGHTS RESERVED.                  PROPRIETARY AND CONFIDENTIAL INFORMATION. THIS DOCUMENT IS THE PROPERTY OF REGAL BELOIT AMERICA, INC. FORMER AND CONTAINS OWNERS PROPRIETARY INFORMATION. ANY PERSON, CORPORATION OR OTHER FIRM RECEIVING IT IS DEEMED BY RECEIVING IT, TO AGREE THAT IT, AND/OR ANY PART OF IT, SHALL NOT BE DISCLOSED TO ANY PERSON, CORPORATION OR OTHER ENTITY, DUPLICATED, AND/OR USED, EXCEPT AS EXPRESSLY APPROVED IN ADVANCE BY OWNER. THIS DOCUMENT SHALL BE RETURNED TO OWNER UPON REQUEST. IT MAY BE SUBJECT TO CERTAIN RESTRICTIONS UNDER APPLICABLE EXPORT CONTROL LAWS AND REGULATIONS.</small>				.XX	±0.02 [±0.51]	APPROVED BY SM	OUTLINE
				.XXX	±0.005 [±0.127]	DATE	56FR, TEAO, RIGID, 1-PHASE
				.XXXX	±0.0005 [±0.0127]	REFERENCE	MATERIAL
				MACHINED SURFACES: 125/32 INCH/mil		OLME180151	PROCESS/FINISH
				mm SHOWN IN [BRACKETS]		THIRD ANGLE PROJECTION	SIZE
						C	DRAWING NUMBER
							OL56100479-001
							SHEET
							1 OF 1

### LOW VOLTAGE

### HIGH VOLTAGE

BROWN P2 ———— (5)

BROWN P2 ———— (4)

WHITE T2 ———— (2)

WHITE T2 ———— (5)

RED T8 ———— (A)

RED T8 ———— (A)

BLACK 10 ———— (5)

BLACK T10 ———— (5)

DD10109-001

## ROTATION CCW-LE TO REVERSE EITHER VOLTAGE INTERCHANGE RED T8 AND BLACK T10 LEADS

PLATE: 41365

SLOT: 22

DRAWING REVISION A		REVISION BY G. RODRIGUEZ	DATE 03-27-2016	TOLERANCES UNLESS OTHERWISE SPECIFIED: DEC. INCH mm ANGLE .X ±0.1 [±2.5] ±0.5° .XX ±0.01 [±0.25] .XXX ±0.005 [±0.127] .XXXX ±0.0005 [±0.0127] REMOVE BURRS & BREAK SHARP EDGES: .003/.015 [.076/.381] X 45° CORNER FILLETS: R.02 [.51] MACHINED SURFACES: 125/3.2 INCH/mm	DRAWN BY G. RODRIGUEZ		REGAL™ Regal Beloit America, Inc.		
ECO ECO-0142333		APPROVED BY R. VALENZUELA	DATE 03-27-2016		DATE 03-27-2018	APPROVED BY R. VALENZUELA			DESCRIPTION CONN DIAGRAM-EXTERNAL
ECO DESCRIPTION NEW RELEASE				DATE 03-27-2018		REFERENCE		MATERIAL	PROCESS/FINISH
<small>COPYRIGHT REGAL BELOIT AMERICA, INC. ALL RIGHTS RESERVED. PROPRIETARY AND CONFIDENTIAL INFORMATION - THIS DOCUMENT IS THE PROPERTY OF REGAL BELOIT AMERICA, INC. ("OWNER") AND CONTAINS OWNER'S PROPRIETARY INFORMATION. ANY PERSON, CORPORATION OR OTHER FIRM RECEIVING IT IS DEEMED, BY RECEIVING IT, TO AGREE THAT IT, AND/OR ANY PART OF IT, SHALL NOT BE DISCLOSED TO ANY PERSON, CORPORATION OR OTHER ENTITY, DUPLICATED, AND/OR USED, EXCEPT AS EXPRESSLY APPROVED IN WRITING IN ADVANCE BY OWNER. THIS DOCUMENT SHALL BE RETURNED TO OWNER UPON REQUEST. IT MAY BE SUBJECT TO CERTAIN RESTRICTIONS UNDER APPLICABLE EXPORT CONTROL LAWS AND REGULATIONS.</small>				THIRD ANGLE PROJECTION		SIZE B	DRAWING NUMBER DD10109-001	SHEET 1 OF 1	