

# PRODUCT INFORMATION PACKET



Model No: C333V1  
Catalog No: C333V1  
1.0 HP Auger Drive Motor, 1 phase, 1800 RPM, 115/230 V, 56N Frame, TEFC  
Auger Drive Motors



Regal and Century are trademarks of Regal Rexnord Corporation or one of its affiliated companies.  
©2021 Regal Rexnord Corporation, All Rights Reserved. MC017097E





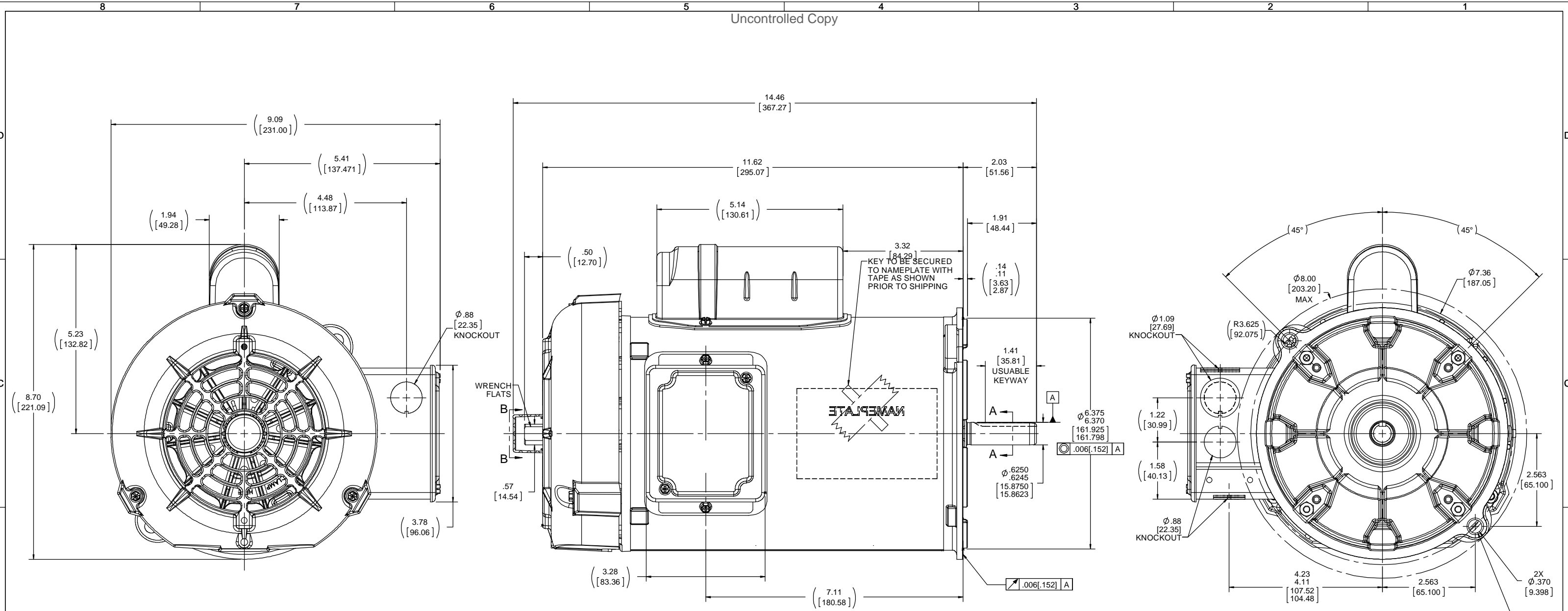
**Nameplate Specifications**

|                    |                     |                     |                             |
|--------------------|---------------------|---------------------|-----------------------------|
| Output HP          | 1.0 Hp              | Output KW           | 0.75 kW                     |
| Frequency          | 60 Hz               | Voltage             | 115/230 V                   |
| Current            | 11.6/5.8 A          | Speed               | 1725 rpm                    |
| Service Factor     | 1                   | Phase               | 1                           |
| Duty               | Continuous          | Insulation Class    | B                           |
| Frame              | 56N                 | Enclosure           | Totally Enclosed Fan Cooled |
| Thermal Protection | Thermally Protected | Ambient Temperature | 40 °C                       |
| UL                 | Recognized          | CSA                 | Y                           |
| CE                 | Y                   | Number of Speeds    | 1                           |

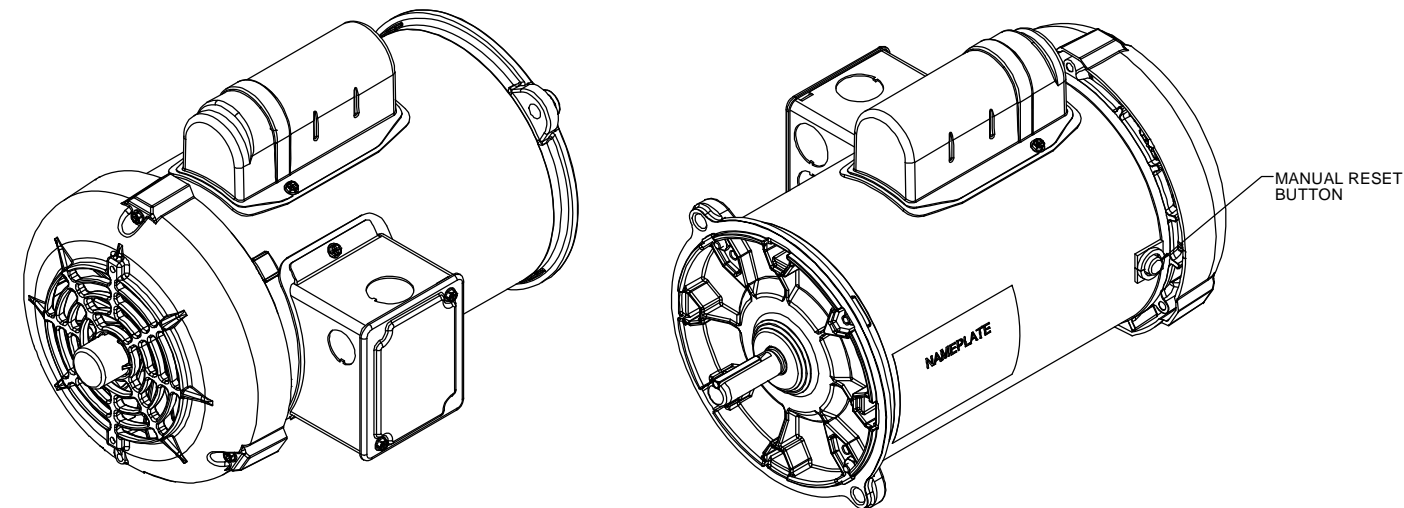
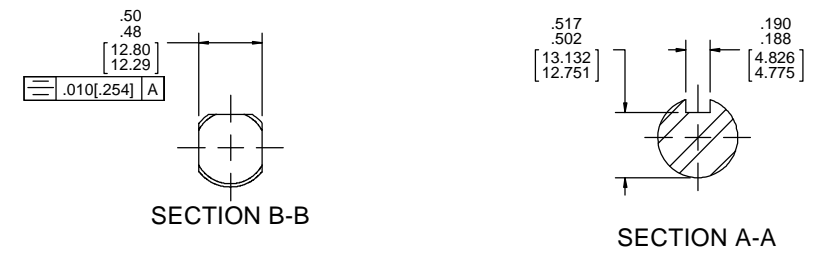
**Technical Specifications**

|                       |                               |                    |                            |
|-----------------------|-------------------------------|--------------------|----------------------------|
| Electrical Type       | Capacitor Start Induction Run | Starting Method    | Across The Line            |
| Poles                 | 4                             | Rotation           | Selective Counterclockwise |
| Mounting              | Round                         | Drive End Bearing  | Ball                       |
| Opp Drive End Bearing | Ball                          | Frame Material     | Rolled Steel               |
| Shaft Type            | NEMA 56                       | Overall Length     | 14.46 in                   |
| Frame Length          | 8.65 in                       | Shaft Diameter     | 0.625 in                   |
| Shaft Extension       | 2.03 in                       |                    |                            |
| Outline Drawing       | OL56100075-001                | Connection Drawing | DD10033-001                |

This is an uncontrolled document once printed or downloaded and is subject to change without notice. Date Created:10/07/2021

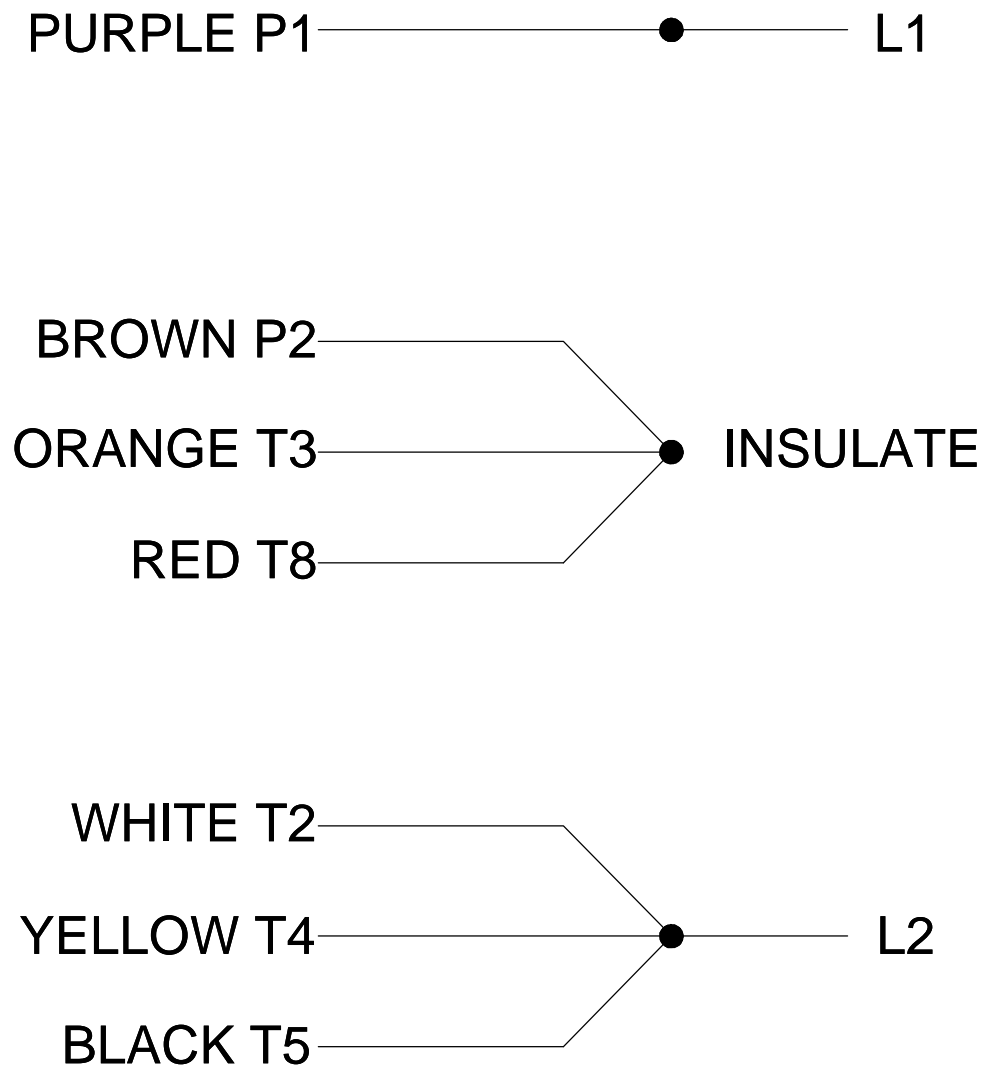


THESE HOLES FIT A GAGE HAVING A RABBIT OF A  $\phi 6.3755$ [161.9377] AND 2 PINS OF A  $\phi .3309$ [8.4049] LOCATED ON THE BASIC HOLE POSITIONS.

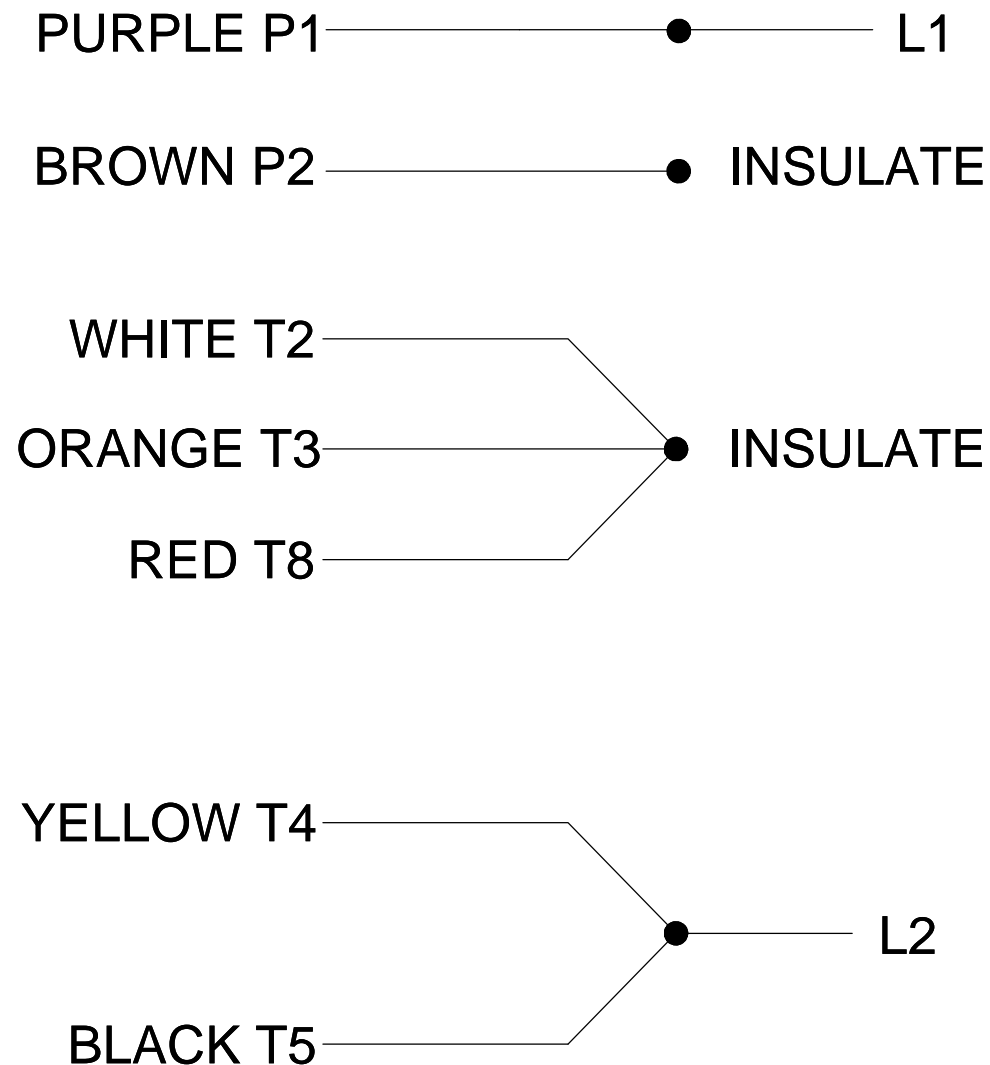


|  |                            |                    |   |                           |                                  |                                  |
|--|----------------------------|--------------------|---|---------------------------|----------------------------------|----------------------------------|
| DRAWING REVISION<br>C  | REVISION BY<br>R. ZAMARRON | DATE<br>06-07-2018 | TOLERANCES UNLESS OTHERWISE SPECIFIED:<br>DEC. INCH mm ANGLE<br>.X ±0.1 [±2.5]<br>.XX ±0.02 [±0.51]<br>.XXX ±0.005 [±0.127]<br>XXXX ±0.0005 [±0.0127] | DRAWN BY<br>D. VALENCIANO | DATE<br>05-04-2016               | DESCRIPTION<br>OUTLINE           |
| ECO-0146395  | APPROVED BY<br>J. ORTEGA   | DATE<br>05-04-2016 | REMOVE BURRS & BREAK SHARP EDGES: .003/.015 [0.076/.381] X 45° CORNER FILLETS: R.02 [0.51]  | APPROVED BY<br>J. ORTEGA  | DATE<br>05-04-2016               | DESCRIPTION<br>56FR, TEFC, ROUND |
| ADD SHAFT COVER<br><small>                     COPYRIGHT REGAL BELTOI AMERICA, INC. ALL RIGHTS RESERVED.<br/>                     PROPRIETARY AND CONFIDENTIAL INFORMATION - THIS DOCUMENT IS THE PROPERTY OF REGAL BELTOI AMERICA, INC. CONSENT AND CONTAINING OWNERS PROPRIETARY INFORMATION, ANY PERSON, CORPORATION OR OTHER FIRM RECEIVING IT IS DEEMED, BY RECEIVING IT, TO AGREE THAT IT, AND/OR ANY PART OF IT, SHALL NOT BE DISCLOSED TO ANY PERSON, CORPORATION OR OTHER ENTITY, DUPLICATED, AND/OR USED, EXCEPT AS EXPRESSLY APPROVED IN WRITING IN ADVANCE BY OWNER. THIS DOCUMENT SHALL BE RETURNED TO OWNER UPON REQUEST. IT MAY BE SUBJECT TO CERTAIN RESTRICTIONS UNDER APPLICABLE EXPORT CONTROL LAWS AND REGULATIONS.                 </small> |                            |                    | MACHINED SURFACES: 125 INCR/ m/v<br>mm SHOWN IN [BRACKETS]  | REFERENCE<br>C333         | MATERIAL<br>56FR, TEFC, ROUND    | PROCESS/FINISH                   |
| THIRD ANGLE PROJECTION   |                            |                    |   | SIZE<br>D                 | DRAWING NUMBER<br>OL56100075-001 | SHEET<br>1 OF 1                  |

### LOW VOLTAGE



### HIGH VOLTAGE



DD10033-001

## ROTATION CCW-LE TO REVERSE INTERCHANGE RED T8 AND BLACK T5 LEADS

PLATE: 41365

SLOT: 22

|  |                              |                    |  |                              |                                       |
|--|------------------------------|--------------------|--|------------------------------|---------------------------------------|
| DRAWING REVISION<br>A  | REVISION BY<br>G. RODRIGUEZ  | DATE<br>01-18-2018 | TOLERANCES UNLESS OTHERWISE SPECIFIED:<br>DEC. INCH mm ANGLE<br>.X ±0.1 [±2.5] ±0.5°<br>.XX ±0.01 [±0.25]<br>.XXX ±0.005 [±0.127]<br>.XXXX ±0.0005 [±0.0127] | DRAWN BY<br>G. RODRIGUEZ     | Regal Beloit America, Inc.            |
| ECO<br>ECO-0138095   | APPROVED BY<br>R. VALENZUELA | DATE<br>01-18-2018 |  | DATE<br>04-27-2016           |                                       |
| ECO DESCRIPTION<br>ADD COLORS  |                              |                    | REMOVE BURRS & BREAK SHARP EDGES: .003/.015 [.076/.381] X 45 ° CORNER FILLETS: R.02 [.51] MACHINED SURFACES: 125/3.2 INCH/mm                                 | APPROVED BY<br>R. VALENZUELA | DESCRIPTION<br>CONN DIAGRAM-NAMEPLATE |
| COPYRIGHT REGAL BELOIT AMERICA, INC. ALL RIGHTS RESERVED. PROPRIETARY AND CONFIDENTIAL INFORMATION - THIS DOCUMENT IS THE PROPERTY OF REGAL BELOIT AMERICA, INC. ("OWNER") AND CONTAINS OWNER'S PROPRIETARY INFORMATION. ANY PERSON, CORPORATION OR OTHER FIRM RECEIVING IT IS DEEMED, BY RECEIVING IT, TO AGREE THAT IT, AND/OR ANY PART OF IT, SHALL NOT BE DISCLOSED TO ANY PERSON, CORPORATION OR OTHER ENTITY, DUPLICATED, AND/OR USED, EXCEPT AS EXPRESSLY APPROVED IN WRITING IN ADVANCE BY OWNER. THIS DOCUMENT SHALL BE RETURNED TO OWNER UPON REQUEST. IT MAY BE SUBJECT TO CERTAIN RESTRICTIONS UNDER APPLICABLE EXPORT CONTROL LAWS AND REGULATIONS. |                              |                    | THIRD ANGLE PROJECTION   | REFERENCE                    | MATERIAL                              |
|  |                              |                    | mm SHOWN IN [BRACKETS]   | DATE<br>04-27-2016           | PROCESS/FINISH                        |
|  |                              |                    |  | SIZE<br>B                    | DRAWING NUMBER<br>DD10033-001         |
|  |                              |                    |  |                              | SHEET<br>1 OF 1                       |