

PRODUCT INFORMATION PACKET



Model No: C045A
Catalog No: C045A
1/4 HP Farm / AG Direct Drive Fan Motor, 1100 RPM, 115/230 Volts, 48 Frame, TEAO
Direct Drive Fan Motors



Regal and Century are trademarks of Regal Rexnord Corporation or one of its affiliated companies.
©2021 Regal Rexnord Corporation, All Rights Reserved. MC017097E





Nameplate Specifications

Output HP	1/4 Hp	Output KW	0.19 kW
Frequency	60 Hz	Voltage	115/230 V
Current	4.0/2.0 A	Speed	1100 rpm
Service Factor	1	Phase	1
Duty	Air Over	Insulation Class	B
Frame	48Z	Enclosure	Totally Enclosed
Thermal Protection	Automatic	Ambient Temperature	40 °C
UL	Recognized	CSA	Y
CE	N	Number of Speeds	1

Technical Specifications

Electrical Type	Permanent Split Capacitor	Starting Method	Across The Line
Poles	6	Rotation	Reversible
Mounting	Resilient Base	Drive End Bearing	Ball
Opp Drive End Bearing	Ball	Frame Material	Rolled Steel
Shaft Type	Flat	Overall Length	9.77 in
Frame Length	5.25 in	Shaft Diameter	0.500 in
Shaft Extension	3.28 in		
Outline Drawing	C045A-S01	Connection Drawing	D0000522-001

This is an uncontrolled document once printed or downloaded and is subject to change without notice. Date Created:10/07/2021

GENERAL INFORMATION:

SHAFT RUNOUT: .001[.03] T.I.R. PER INCH LENGTH OF EXTENSION

BEARINGS: BALL

POSITION: ALL ANGLE
MOUNTING

ELECTRICAL DATA:

OVERLOAD PROTECTOR: AUTOMATIC RESET (SENSATA 7AM 034)

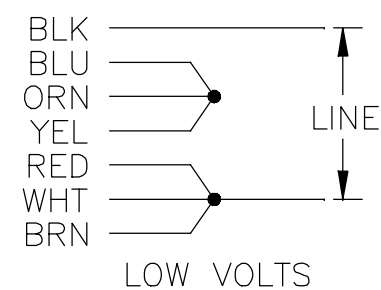
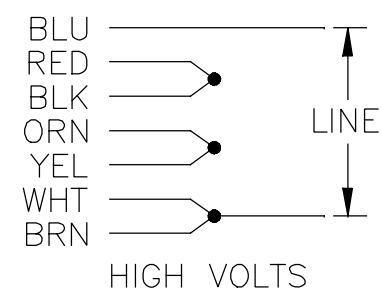
LEADS: NO. 18 GA., .03[.8] THK. XLP 125°C INSUL.

GROUND LEAD: NO. 18 GA., .03[.8] THK. GRN/YEL. INSUL.

NAMEPLATE DATA:

MODEL NO.: F48Z22A01
CUST. P/N: SEE NOTE
HP: 1/4
ROT.: REV
RPM: 1100
TYPE: UF
FRAME: 48Z
VOLTS: 115/230
PH: 1
AMPS: 4.0/2.0
HZ: 60
INS.: B
AMB.: 40°C
DUTY: AIR OVER
CAP.: 6MFD/370 V
ENCL: ENCLOSED
UL LOGO
CSA LOGO
THERMALLY PROTECTED

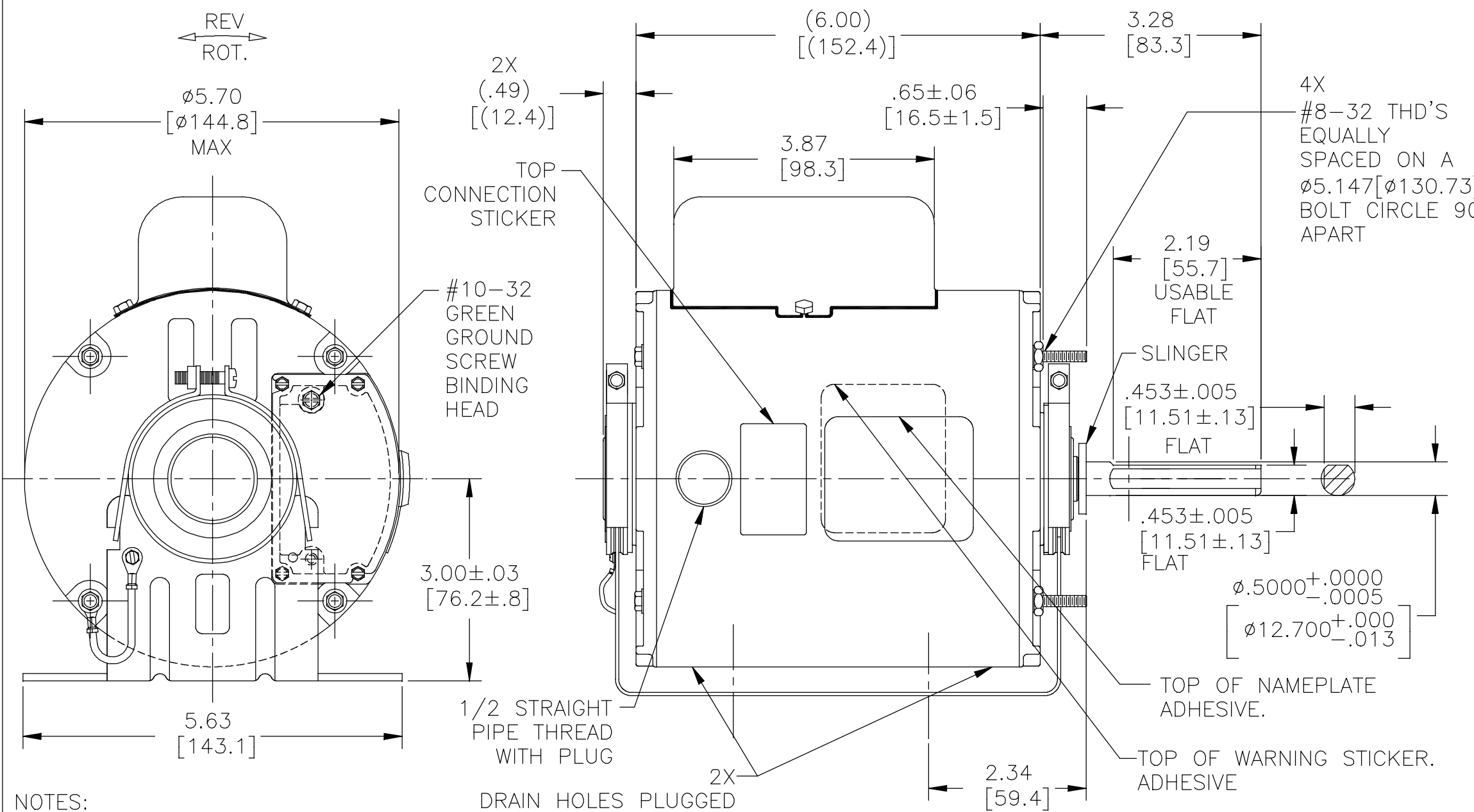
EXTERNAL CONNECTION DIAGRAM



SHOWN FOR CCWLE ROTATION, FOR CWLE INTERCHANGE BROWN & YELLOW LEADS

D0000522-001

PERFORMANCE CURVE NO.	TORQUE @1100 RPM (25°C)	APPROVED SAMPLE	UL COMPONENT FILE #	CCN #	CSA FILE #	CLASS #
C32687	25.8 OZ. FT.	0603096A	E46412	PRGY2	LR43341	4211-01



- NOTES:
1. SHIP SEPERATE 72T7176A-12
2. SHIP SEPERATE 72T7140A-2
3. DISTRIBUTION SERVICE CUST. P/N: C045A
GRAINGER CUST. P/N: 2FGR2

BROWN	5.0/7.0 [127/178]	.50[12.7] STRIP
GRN/YEL (GRD)	3.0/5.0 [76/127]	#10 EYELET
BLUE	5.0/7.0 [127/178]	.50[12.7] STRIP
RED	5.0/7.0 [127/178]	.50[12.7] STRIP
BLACK	5.0/7.0 [127/178]	.50[12.7] STRIP
ORANGE	5.0/7.0 [127/178]	.50[12.7] STRIP
YELLOW	5.0/7.0 [127/178]	.50[12.7] STRIP
WHITE	5.0/7.0 [127/178]	.50[12.7] STRIP
BROWN	CONNECTED TO CAPACITOR	.25[6.4] FLAG
BROWN	CONNECTED TO CAPACITOR	.25[6.4] FLAG
COLOR	LENGTH	TERMINAL OR STRIP LENGTH

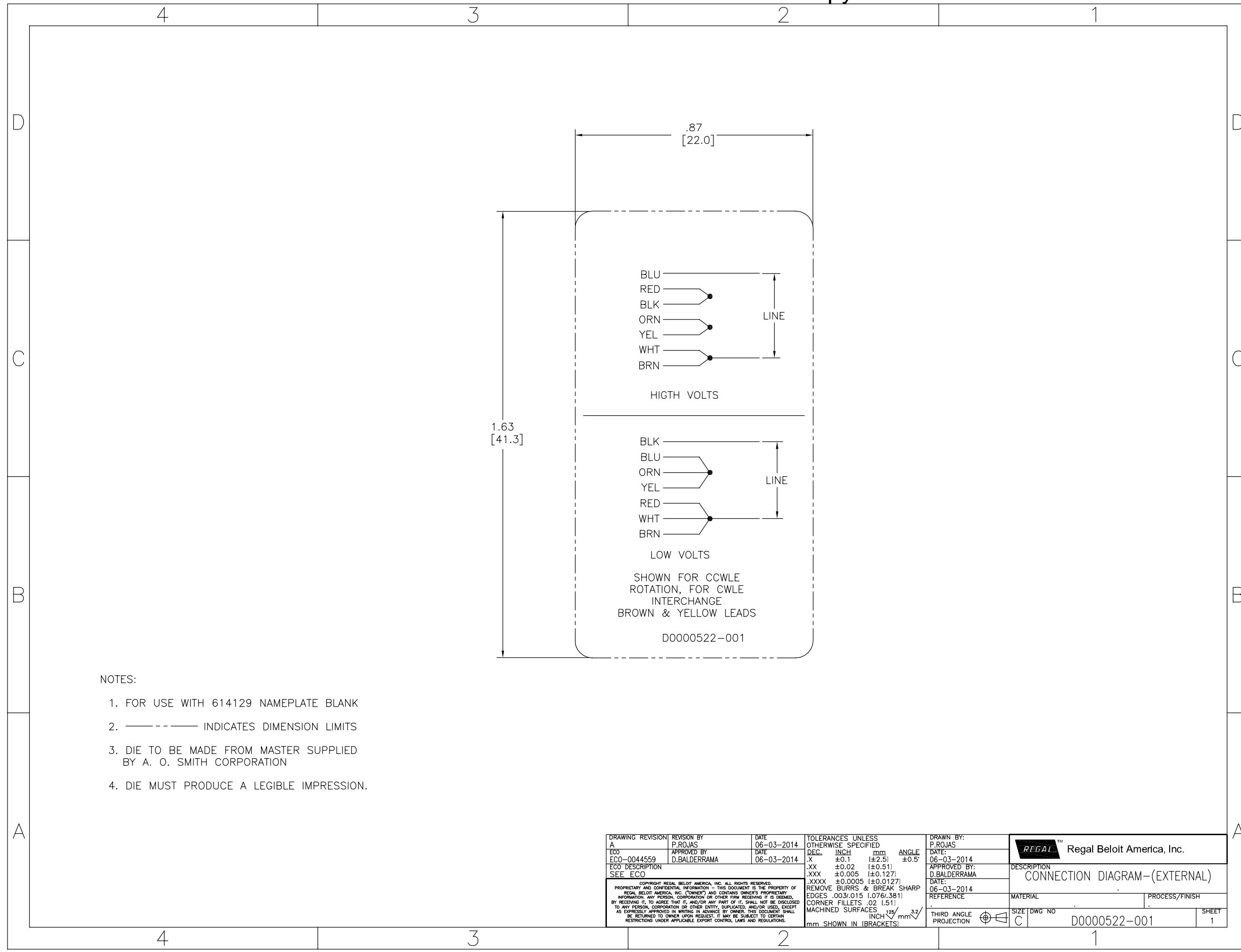
MAIN FRAME - OLE	ENCL.
END FRAME - OLE	ENCL.
MAIN FRAME - LE	ENCL.
END FRAME - LE	ENCL.

REGAL-BELOIT CORPORATION (RBC) PROVIDES TECHNICAL ASSISTANCE TO OUR CUSTOMERS IN SEVERAL AREAS. SINCE RBC DOES NOT RECEIVE ALL DATA CONCERNING THE USE AND APPLICATION OF THE MOTOR, THE SUITABILITY OF THE MOTOR FOR THE APPLICATION MUST BE DETERMINED BY THE CUSTOMER.

DIMENSIONS WITHOUT TOLERANCES ARE FOR REFERENCE ONLY.

CUSTOMER DIST. SERVICES

DRAWING REVISION		REVISION BY		DATE	ENCLOSURE	DRAWN BY:		REGAL™ Regal Beloit America, Inc.
C	ECO	JERRY CHAI	10-10-2018			J.M. RAMIREZ		
	ECO-0154221	JERRY CHAI	10-10-2018			DATE:	01-14-2013	
	SEE ECO					APPROVED BY:	E.BAEZA	
<p>COPYRIGHT REGAL-BELOIT AMERICA, INC. ALL RIGHTS RESERVED. PROPRIETARY AND CONFIDENTIAL INFORMATION - THIS DOCUMENT IS THE PROPERTY OF REGAL-BELOIT AMERICA, INC. (OWNER) AND CONTAINS OWNER'S PROPRIETARY INFORMATION. ANY PERSON, CORPORATION OR OTHER FIRM RECEIVING IT IS DEEMED, BY RECEIVING IT, TO AGREE THAT IT, AND/OR ANY PART OF IT, SHALL NOT BE DISCLOSED TO ANY PERSON, CORPORATION OR OTHER ENTITY, DUPLICATED, AND/OR USED, EXCEPT AS EXPRESSLY APPROVED IN WRITING IN ADVANCE BY OWNER. THIS DOCUMENT SHALL BE RETURNED TO OWNER UPON REQUEST. IT MAY BE SUBJECT TO CERTAIN RESTRICTIONS UNDER APPLICABLE EXPORT CONTROL LAWS AND REGULATIONS.</p>						<p>DATE:</p> <p>01-14-2013</p> <p>PROCESS/FINISH</p>		DESCRIPTION
						THIRD ANGLE PROJECTION		MODEL-RFHP-48FR OUTLINE
						SIZE	DWG NO	MATERIAL
						C	C045A	
								SHEET
								1



NOTES:

1. FOR USE WITH 614129 NAMEPLATE BLANK
2. ----- INDICATES DIMENSION LIMITS
3. DIE TO BE MADE FROM MASTER SUPPLIED BY A. O. SMITH CORPORATION
4. DIE MUST PRODUCE A LEGIBLE IMPRESSION.

DRAWING REVISION A	REVISION BY P.ROJAS	DATE 06-03-2014	TOLERANCES UNLESS OTHERWISE SPECIFIED DEC. INCH mm ANGLE .X ±0.1 [±2.5] ±0.5° .XX ±0.02 [±0.51] .XXX ±0.005 [±0.127] .XXXX ±0.0005 [±0.0127]	DRAWN BY: P.ROJAS	Regal Beloit America, Inc.	
ECO ECO-0044559	APPROVED BY D.BALDERRAMA	DATE 06-03-2014	REMOVE BURRS & BREAK SHARP EDGES .003/.015 [0.076/.381] CORNER FILLETS .02 [1.51] MACHINED SURFACES .125/3.2 mm SHOWN IN [BRACKETS]	DATE: 06-03-2014		DESCRIPTION CONNECTION DIAGRAM--(EXTERNAL)
ECO DESCRIPTION SEE ECO	<small>COPYRIGHT REGAL BELOIT AMERICA, INC. ALL RIGHTS RESERVED. PROPRIETARY AND CONFIDENTIAL INFORMATION - THIS DOCUMENT IS THE PROPERTY OF REGAL BELOIT AMERICA, INC. (OWNER) AND CONTAINS OWNER'S PROPRIETARY INFORMATION. ANY PERSON, CORPORATION OR OTHER FIRM RECEIVING IT IS DEEMED, BY RECEIVING IT, TO AGREE THAT IT, AND/OR ANY PART OF IT, SHALL NOT BE DISCLOSED TO ANY PERSON, CORPORATION OR OTHER ENTITY, DUPLICATED, AND/OR USED, EXCEPT AS EXPRESSLY APPROVED IN WRITING IN ADVANCE BY OWNER. THIS DOCUMENT SHALL BE RETURNED TO OWNER UPON REQUEST. IT MAY BE SUBJECT TO CERTAIN RESTRICTIONS UNDER APPLICABLE EXPORT CONTROL LAWS AND REGULATIONS.</small>			APPROVED BY: D.BALDERRAMA	MATERIAL	PROCESS/FINISH
				REFERENCE	SIZE DWG NO C D0000522-001	SHEET 1