

# PRODUCT INFORMATION PACKET



Model No: C043A  
Catalog No: C043A  
1/3 HP Farm / AG Direct Drive Fan Motor, 1725 RPM, 115/230 Volts, 48 Frame, TEAO  
Direct Drive Fan Motors



Regal and Century are trademarks of Regal Rexnord Corporation or one of its affiliated companies.  
©2021 Regal Rexnord Corporation, All Rights Reserved. MC017097E





**Nameplate Specifications**

Output HP	<b>1/3 Hp</b>	Output KW	<b>0.25 kW</b>
Frequency	<b>60 Hz</b>	Voltage	<b>115/230 V</b>
Current	<b>3.6/1.8 A</b>	Speed	<b>1725 rpm</b>
Service Factor	<b>1</b>	Phase	<b>1</b>
Duty	<b>Air Over</b>	Insulation Class	<b>B</b>
Frame	<b>48Z</b>	Enclosure	<b>Totally Enclosed</b>
Thermal Protection	<b>Automatic</b>	Ambient Temperature	<b>40 °C</b>
UL	<b>Recognized</b>	CSA	<b>Y</b>
CE	<b>N</b>	Number of Speeds	<b>1</b>

**Technical Specifications**

Electrical Type	<b>Permanent Split Capacitor</b>	Starting Method	<b>Across The Line</b>
Poles	<b>4</b>	Rotation	<b>Reversible</b>
Mounting	<b>Resilient Base</b>	Drive End Bearing	<b>Ball</b>
Opp Drive End Bearing	<b>Ball</b>	Frame Material	<b>Rolled Steel</b>
Shaft Type	<b>Flat</b>	Overall Length	<b>10.09 in</b>
Frame Length	<b>6.00 in</b>	Shaft Diameter	<b>0.500 in</b>
Shaft Extension	<b>3.14 in</b>		
Connection Drawing	<b>614131-342</b>	Outline Drawing	<b>F48Y34A01-S01</b>

This is an uncontrolled document once printed or downloaded and is subject to change without notice. Date Created:10/07/2021

GENERAL INFORMATION:

SHAFT RUNOUT: .001 [.03] T.I.R. PER INCH LENGTH OF EXTENSION

BEARINGS: BALL

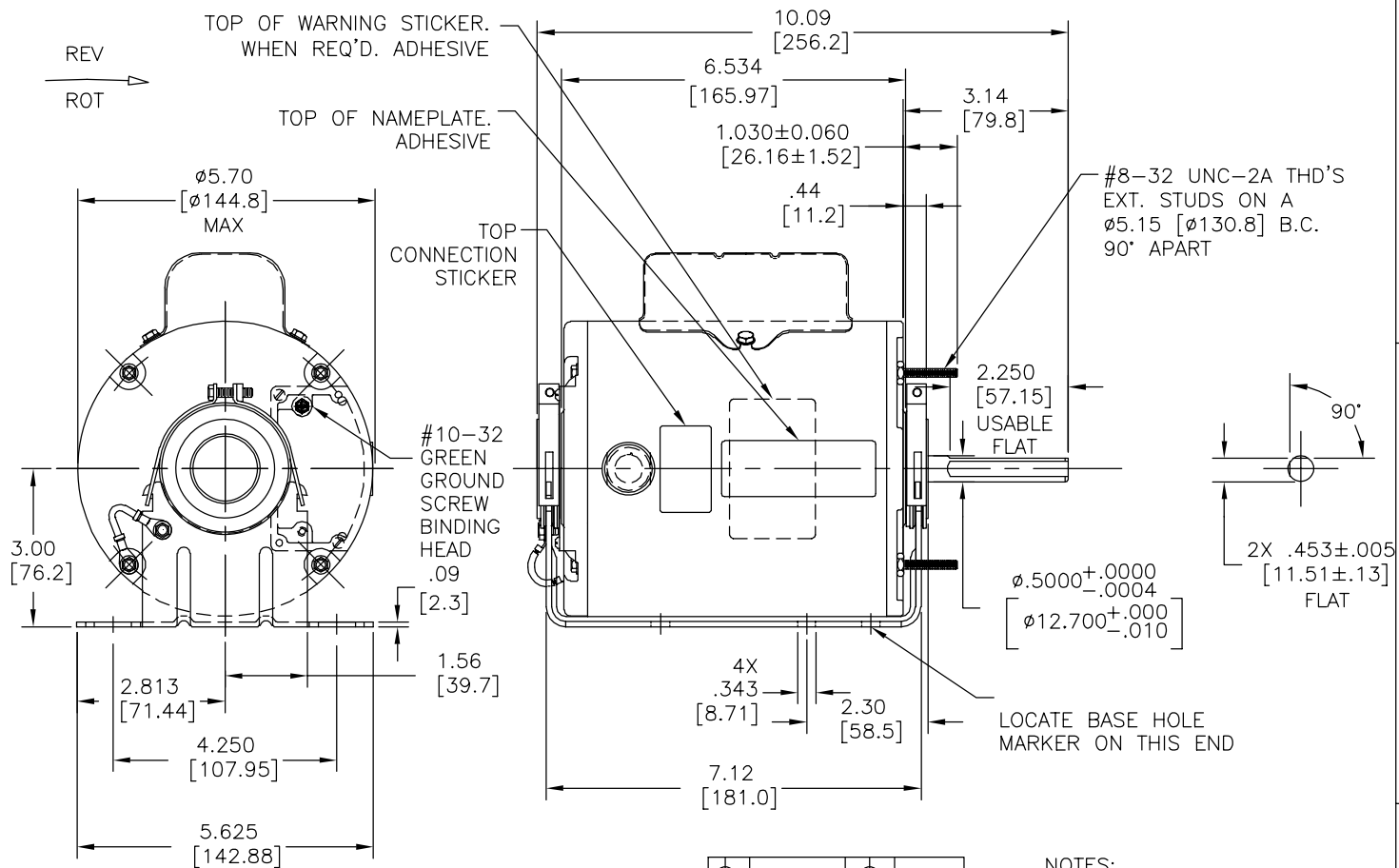
MOUNTING POSITION: ALL ANGLE

ELECTRICAL DATA:

OVERLOAD PROTECTOR: AUTOMATIC RESET (SENSATA 7AM 036)

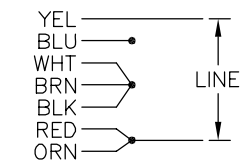
LEADS: NO. 18 GA., .03[.8] THK. XLP 125°C INSUL.

GROUND LEAD: NO. 18 GA., .03[.8] THK. GRN/YEL. INSUL.

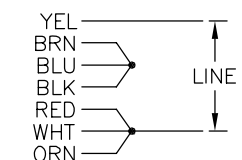


NAMEPLATE DATA: EXTERNAL CONNECTION DIAGRAM

MODEL NO.: F48Y34A01  
 CUST. P/N: C043A  
 HP: 1/3  
 ROT.: REV  
 RPM: 1725  
 TYPE: UF  
 FRAME: 48Z  
 VOLTS: 115/230  
 PH: 1  
 AMPS: 3.6/1.8  
 HZ: 60  
 INS.: B  
 AMB.: 40°C  
 DUTY: AIR OVER  
 CAP.: 10 MFD/370 V  
 ENCL: ENCLOSED  
 UL LOGO  
 CSA LOGO  
 THERMALLY PROTECTED



HIGH VOLTS



LOW VOLTS  
 SHOWN FOR CCWLE  
 ROTATION, FOR CWLE,  
 INTERCHANGE  
 RED & BLACK LEADS

614131-342

PERFORMANCE CURVE NO.	TORQUE @1700 RPM (25°C)	APPROVED SAMPLE	UL COMPONENT		CSA	
			FILE #	CCN #	FILE #	CLASS #
C32617	18.04 OZ. FT.	0600704B	E46412	PRGY2	LR43341	4211-01

BLACK	CONNECTED TO CAPACITOR	.25[6.4] FLAG
GRN/YEL (GRD)	CONNECTED TO BASE	#8 EYELET
ORANGE	5.0/6.0 [127/152]	.50[12.7] SKIN
RED	5.0/6.0 [127/152]	.50[12.7] SKIN
BROWN	5.0/6.0 [127/152]	.50[12.7] SKIN
WHITE	5.0/6.0 [127/152]	.50[12.7] SKIN
BLACK	CONNECTED TO CAPACITOR	.25[6.4] FLAG
BLUE	5.0/6.0 [127/152]	.50[12.7] SKIN
YELLOW	5.0/6.0 [127/152]	.50[12.7] SKIN
BLACK	5.0/6.0 [127/152]	.50[12.7] SKIN
COLOR	LENGTH	TERMINAL OR STRIP LENGTH

LEAD DATA

DRAWING REVISION	REVISION BY	DATE
N	P.ROJAS	03-20-2014
ECO	APPROVED BY D.BALDERRAMA	DATE 03-20-2014
ECO-0044559		
ECO DESCRIPTION SEE ECO		

COPYRIGHT REGAL BELOIT AMERICA, INC. ALL RIGHTS RESERVED. PROPRIETARY AND CONFIDENTIAL INFORMATION - THIS DOCUMENT IS THE PROPERTY OF REGAL BELOIT AMERICA, INC. ("OWNER") AND CONTAINS OWNER'S PROPRIETARY INFORMATION. ANY PERSON, CORPORATION OR OTHER FIRM RECEIVING IT IS DEEMED, BY RECEIVING IT, TO AGREE THAT IT, AND/OR ANY PART OF IT, SHALL NOT BE DISCLOSED TO ANY PERSON, CORPORATION OR OTHER ENTITY, DUPLICATED, AND/OR USED, EXCEPT AS EXPRESSLY APPROVED IN WRITING IN ADVANCE BY OWNER. THIS DOCUMENT SHALL BE RETURNED TO OWNER UPON REQUEST. IT MAY BE SUBJECT TO CERTAIN RESTRICTIONS UNDER APPLICABLE EXPORT CONTROL LAWS AND REGULATIONS.

MAIN FRAME - OLE	ENCLOSED
END FRAME - OLE	ENCLOSED
MAIN FRAME - LE	ENCLOSED
END FRAME - LE	ENCLOSED

NOTES:

- SHIP MOTOR CONNECTED FOR CCWLE ROTATION AND 115 VOLTS.
- (1) SPACER 17P90-1  
(1) KEY 38P8-4  
TO BE PUT IN POLYBAG AND SHIPPED SEPARATE IN CARTON WITH MOTOR

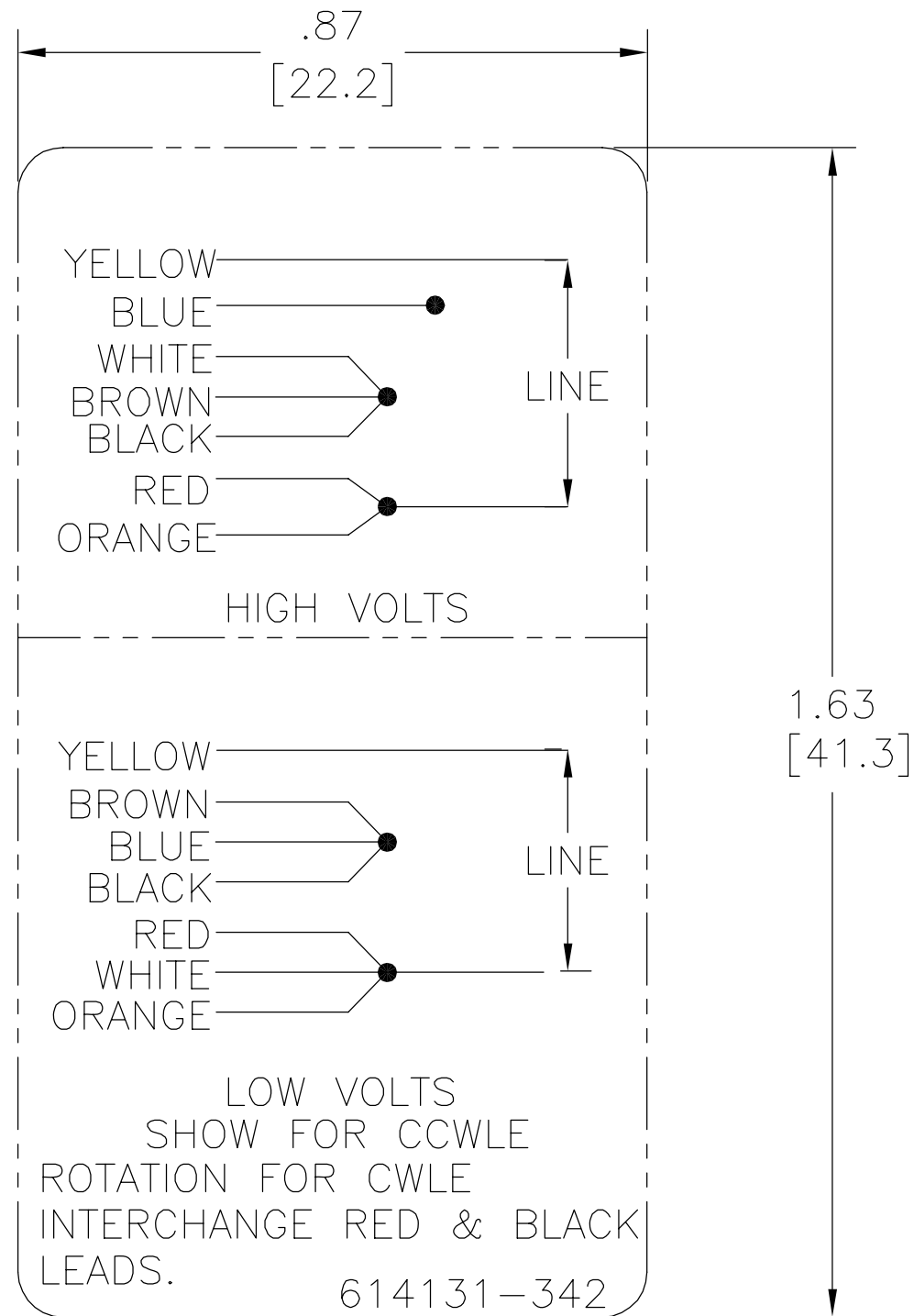
REGAL-BELOIT CORPORATION (RBC) PROVIDES TECHNICAL ASSISTANCE TO OUR CUSTOMERS IN SEVERAL AREAS. SINCE RBC DOES NOT RECEIVE ALL DATA CONCERNING THE USE AND APPLICATION OF THE MOTOR, THE SUITABILITY OF THE MOTOR FOR THE APPLICATION MUST BE DETERMINED BY THE CUSTOMER.

DIMENSIONS WITHOUT TOLERANCES ARE FOR REFERENCE ONLY.

CUSTOMER DIST. SERVICES

DRAWN BY: KB	DATE: 11-09-2006	DESCRIPTION: MODEL-RFHP-48FR OUTLINE
APPROVED BY: TR	DATE: 02-20-2008	MATERIAL:
PROCESS/FINISH:	SIZE DWG NO: F48Y34A01	SHEET: 1

REV	ECO	REV BY	DATE	APPD	DATE
C	0025139	D.ZHANG	03-31-2012	B.SHEN	03-31-2012



NOTES:

1. FOR USE WITH 614129 NAMEPLATE BLANK
2. — — — — — INDICATES DIMENSION LIMITS
3. DIE TO BE MADE FROM MASTER SUPPLIED BY A. O. SMITH CORPORATION
4. DIE MUST PRODUCE A LEGIBLE IMPRESSION.

GEOMETRIC CHARACTERISTICS & SYMBOLS

- ▭ FLATNESS
- STRAIGHTNESS
- ∠ ANGULARITY
- ⊥ PERPENDICULARITY (SQUARENESS)
- // PARALLELISM
- ROUNDNESS (CIRCULARITY)
- ⊘ CYLINDRICITY
- △ PROFILE OF ANY SURFACE
- ⌒ PROFILE OF ANY LINE
- ↗ RUNOUT
- ⊕ TRUE POSITION
- ◎ CONCENTRICITY
- ≡ SYMMETRY

ASME Y14.5M 1994

UNLESS OTHERWISE SPECIFIED  
DIM. TOLERANCES ARE AS FOLLOWS:

INCH	±.1	±.02	±.005	±.0005
mm	±0.5	±0.13	±0.013	

ANG. ±.50 DEG

REMOVE BURRS & BREAK SHARP EDGES:  
INCH .003-.015 mm 0.1-0.4

CORNER FILLETS TO:  
INCH .020 mm 0.5

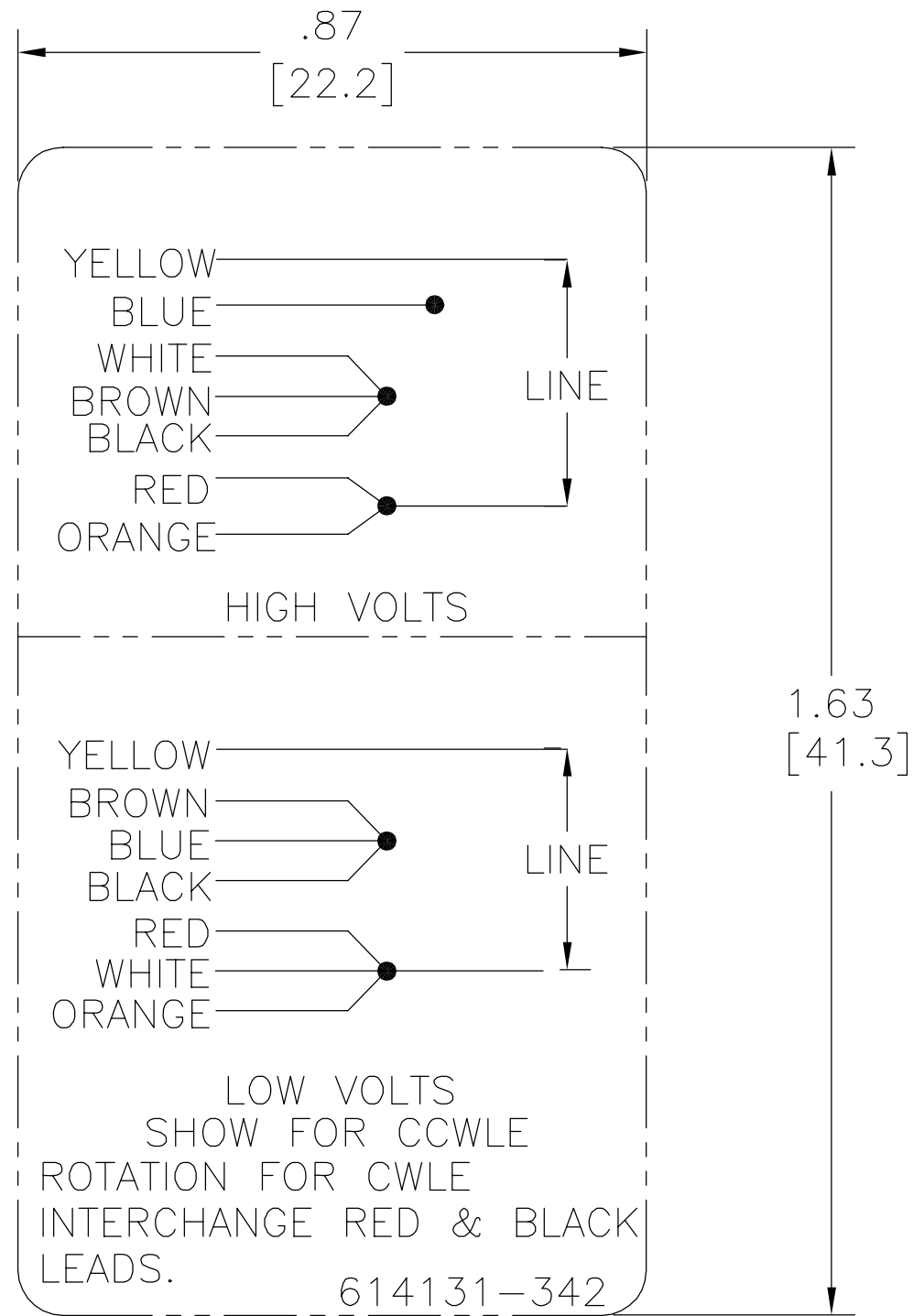
MACHINE SURFACES:  
INCH 125 mm 3.2

METRIC DIMS. SHOWN IN [BRACKETS]

DR BY:	L.Grado	02-05-2009
APPD:	C.Contreras	02-05-2009
THIRD ANGLE PROJECTION		EDS DATE 11-11-2011 FORMAT REV G
CONFIDENTIAL: THIS DRAWING AND ITS INFORMATION ARE THE EXCLUSIVE AND CONFIDENTIAL PROPERTY OF REGAL-BELOIT CORPORATION AND ARE NOT TO BE DISCLOSED, DUPLICATED, DISTRIBUTED OR OTHERWISE USED WITHOUT THE WRITTEN CONSENT OF REGAL-BELOIT CORPORATION. -ALL RIGHTS RESERVED.		

REGAL-BELOIT CORPORATION	
DESCRIPTION CONN DIAGRAM-EXTERNAL	
SIZE A	DWG NO 614131-342
SCALE NONE	SHEET 1

REVISION:	ECO	REVISADO POR:	FECHA:	APROBADO POR:	FECHA:
C	0025139	D.ZHANG	03-31-2012	B.SHEN	03-31-2012



NOTAS:

1. PARA USAR CON 614129 PLACA DE DATOS EN BLANCO.
2. ——— ——— INDICA LIMITES DE DIMENSION
3. EL MOLDE DEBE ESTAR HECHO DESDE EL PROVEEDOR PRINCIPAL POR A. O. SMITH CORPORATION
4. EL MOLDE DEBE PRODUCIR UNA IMPRESION LEGIBLE.

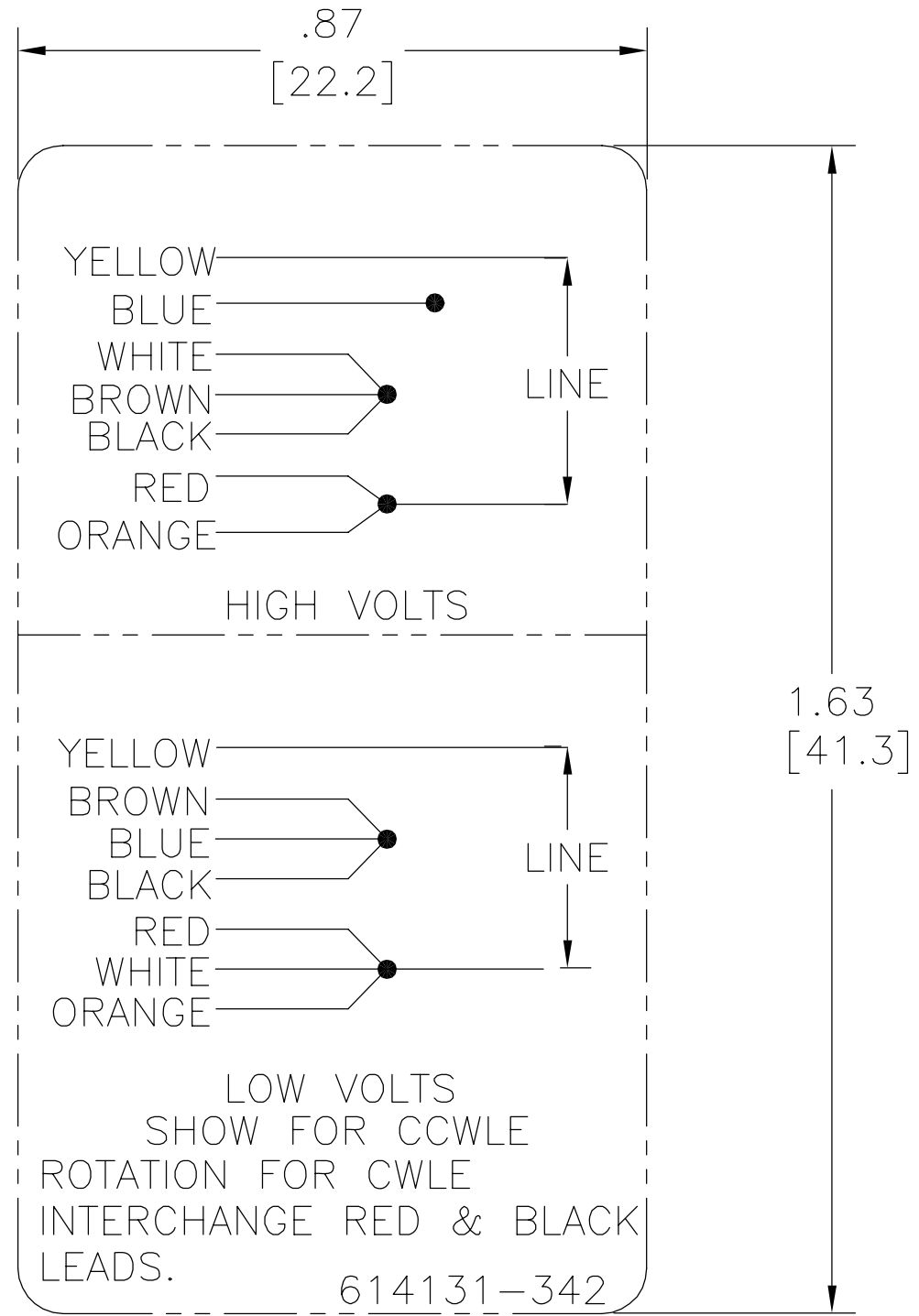
CARACTERISTICAS DE GEOMETRIA Y SIMBOLOS ▯ PLANICIDAD — RECTITUD < ANGULARIDAD ⊥ PERPENDICULARIDAD (A ESCUADRA) // PARALELISMO ○ REDONDEZ (CIRCULARIDAD) ∅ CILINDRICIDAD ⊖ PERFIL DE CUALQUIER SUPERFICIE ∩ PERFIL DE CUALQUIER LINEA ↗ VARIACION ⊕ POSICION REAL ⊙ CONCENTRICIDAD ≡ SIMETRIA
---

A MENOS QUE SE ESPECIFIQUE DE OTRA MANERA, LAS TOLERANCIAS DE LAS DIMS; SON LAS SIGUIENTES: X XX XXX XXXX PULG ±.1 ±.02 ±.005 ±.0005 mm ±0.5 ±0.13 ±0.013 ANG. ±.50 GRADOS ELIMINAR REBABAS Y ORILLAS FILOSAS DEL BORDE. PULG .003-.015 mm 0.1-0.4 FILETEAR ESQUINA: PULG .020 mm 0.5 MAQUINAR SUPERFICIES PULG 125 mm 3.2 DIMS METRICAS MOSTRADAS [PARENTESIS]
---

DIBUJADO POR: L.Grado	02-05-2009
APROBADO POR: C.Contreras	02-05-2009
TERCER ANGULO DE PROYECCION	⊕
FECHA EDS: 11-11-2011	REV. FORMATO: G
CONFIDENCIAL: ESTE DIBUJO Y SU INFORMACION SON PROPIEDAD DE USO EXCLUSIVO Y CONFIDENCIAL DE REGAL-BELOIT CORPORATION Y NO DEBERAN SER REVELADOS, DUPLICADOS, DISTRIBUIDOS O USARSE DE OTRA MANERA SIN EL CONSENTIMIENTO ESCRITO DE REGAL-BELOIT CORPORATION.-TODOS LOS DERECHOS RESERVADOS.	

REGAL-BELOIT CORPORATION	
DESCRIPCION: CONN DIAGRAM-EXTERNAL	
TAMAÑO: A	NUMERO DE DIBUJO: 614131-342
ESCALA: NONE	HOJA: 1

版本	ECO	编制	日期	批准	日期
C	0025139	D.ZHANG	03-31-2012	B.SHEN	03-31-2012



形位公差	除另有注明
□ 平面度	尺寸公差如下:
— 直线度	英寸 X XX XXX XXXX
∠ 倾斜度	英寸 ±.1 ±.02 ±.005 ±.0005
⊥ 垂直度	毫米 ±0.5 ±0.13 ±0.013
// 平行度	角度 ±.50 度
○ 圆度	清理毛刺和尖棱
∅ 圆柱度	英寸 .003-.015 毫米 0.1-0.4
△ 面轮廓度	内圆角
∩ 线轮廓度	英寸 .020 毫米 0.5
↗ 圆跳动	表面粗糙度
⊕ 位置度	英制 125 米制 3.2
◎ 同轴度	米制尺寸显示在 [ ]
≡ 对称度	

ASME Y14.5M 1994
------------------

绘图:	L.Grado	02-05-2009
批准:	C.Contreras	02-05-2009
第三角投影		图纸格式发布日期 11-11-2011 图纸格式版本 G
机密:本图纸及相关信息所有权归REGAL-BELOIT CORPORATION 未经REGAL-BELOIT CORPORATION书面授权,不得泄露、 复制、传播或作其他用途。—版权所有		

REGAL-BELOIT CORPORATION	
名称	CONN DIAGRAM-EXTERNAL
图幅	A
图号	614131-342
比例	NONE
页号	1