

PRODUCT INFORMATION PACKET



Model No: B813
Catalog No: B813
5.0 HP Air Compressor Motor, 1 phase, 3600 RPM, 230 V, 56HZ Frame, ODP
Air Compressor Motors



Regal and Century are trademarks of Regal Rexnord Corporation or one of its affiliated companies.
©2021 Regal Rexnord Corporation, All Rights Reserved. MC017097E





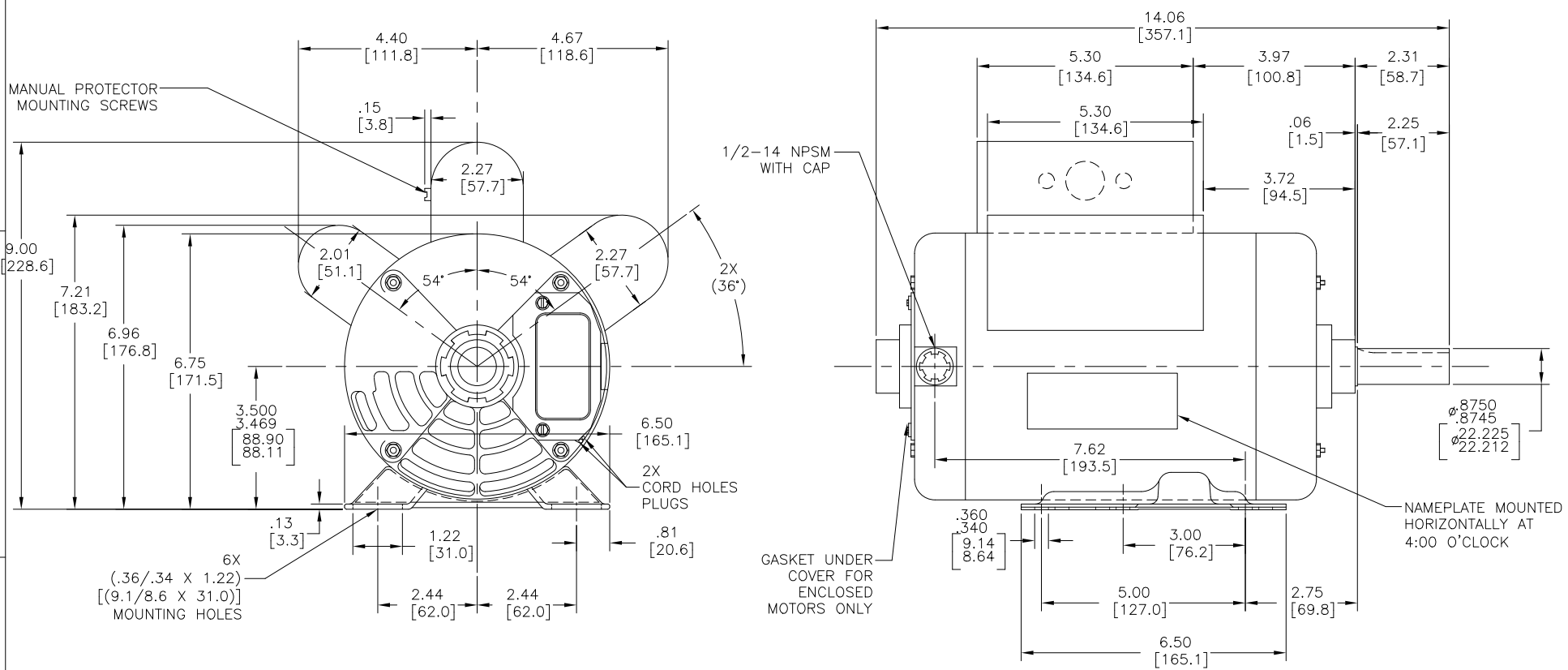
Nameplate Specifications

Output HP	5.0 Hp	Output KW	3.7 kW
Frequency	60 Hz	Voltage	230 V
Current	22.0 A	Speed	3450 rpm
Service Factor	1	Phase	1
Duty	Continuous	Insulation Class	B
Frame	Y56HZ	Enclosure	Drip Proof
Thermal Protection	Thermally Protected	Ambient Temperature	40 °C
UL	Recognized	CSA	Y
CE	N	Number of Speeds	1

Technical Specifications

Electrical Type	Capacitor Start, Capacitor Run, Single Or Dual Voltage	Starting Method	Across The Line
Poles	2	Rotation	Clockwise
Mounting	Rigid Base	Drive End Bearing	Ball
Opp Drive End Bearing	Ball	Frame Material	Rolled Steel
Shaft Type	Keyed	Overall Length	14.06 in
Frame Length	8.25 in	Shaft Diameter	0.875 in
Shaft Extension	2.31 in		
Connection Drawing	17050306.PCX	Outline Drawing	B813-S01

This is an uncontrolled document once printed or downloaded and is subject to change without notice. Date Created:10/07/2021



NAMEPLATE DATA	EXTERNAL CONNECTION DIAGRAM	NOTES
MODEL: 16462100 CUST PN: B813 HP: 5.0 SF: 1.0 ROT: CW RPM: 3450 TYPE: CP FORM: --- CODE: F FRAME: Y56 VOLTS: 230 AMPS: 22.0 MAX AMPS: --- SF AMPS: --- PH: 1 HZ: 60 INS: B AMB: 40 DUTY: CONT ENCLOSURE: DP THERMALLY PROTECTED	<p>170503-06</p> <p>2 LINE NON REVERSIBLE</p> <p>4 LINE</p>	<ol style="list-style-type: none"> FOR THREADED SHAFT EXTENSION ECCENTRICITY OF THREADED PORTION OF SHAFT IS HELD WITHIN .004[.10] TOTAL GAGE READING WITH THE INDICATOR ON OUTSIDE DIAMETER OF GROUND RING GAGE AS SHOWN. THE GAGE BEING STATIONARY WITH RESPECT TO THE ROTOR. END PLAY NOT TO EXCEED .010[.25] MEASURED WITH NO THRUST. ALL DIMENSIONS SHOWN IN PARENTHESIS ARE REFERENCE DIMENSIONS. FINISH PAINT TO BE BLACK. REFERENCE MODEL: B813 CTQ REQUIREMENT SEE EP000105-008. RoHS & REACH REQUIREMENT SEE EP000014-5.1.

PERFORMANCE CURVE	APPROVED SAMPLE		
16331811	---		
UL COMPONENT	CSA		
FILE#	CCN#	FILE#	GUIDE#
E14663	XEWR2	LR4642	4211-01
CUSTOMER	DISTRIBUTION		

CRITICAL TO QUALITY CHARACTERISTICS(CTQs) (P) PROCESS (E) ENGINEERING (A) APPLICATION (R) REGULATORY (L) LIFE	DRAWING REVISION ECO ECR-0209770 SEE ECR	REVISION BY HANNA.ZOU APPROVED BY SHUPING.QIAN	DATE 05-31-2021 DATE 05-31-2021	TOLERANCES UNLESS OTHERWISE SPECIFIED DEC. INCH mm ANGLE .X ±0.1 [±3] ±0.5 .XX ±0.02 [±0.5] .XXX ±0.005 [±0.13] .XXXX ±0.0005 [±0.013] REMOVE BURRS & BREAK SHARP EDGES .003/.015 [.08/.38] CORNER FILLETS .02 [5] MACHINED SURFACES 125 INCH/mm 32 mm SHOWN IN [BRACKETS]	DRAWN BY: MH DATE: 08-18-2008 APPROVED BY: HY DATE: 08-18-2009 REFERENCE	Regal Beloit America, Inc. DESCRIPTION MODEL-CFHP-56FR OUTLINE MATERIAL PROCESS/FINISH SIZE DWG NO B813 SHEET 1 THIRD ANGLE PROJECTION
	COPYRIGHT REGAL BELOIT AMERICA, INC. ALL RIGHTS RESERVED. PROPRIETARY AND CONFIDENTIAL INFORMATION - THIS DOCUMENT IS THE PROPERTY OF REGAL BELOIT AMERICA, INC. (OWNER) AND CONTAINS OWNER'S PROPRIETARY INFORMATION. ANY PERSON, CORPORATION OR OTHER ENTITY, DUPLICATED, AND/OR USED, EXCEPT BY RECEIVING IT, TO AGREE THAT IT, AND/OR ANY PART OF IT, SHALL NOT BE DISCLOSED TO ANY PERSON, CORPORATION OR OTHER ENTITY, DUPLICATED, AND/OR USED, EXCEPT AS EXPRESSLY APPROVED IN WRITING IN ADVANCE BY OWNER. THIS DOCUMENT SHALL BE RETURNED TO OWNER UPON REQUEST. IT MAY BE SUBJECT TO CERTAIN RESTRICTIONS UNDER APPLICABLE EXPORT CONTROL LAWS AND REGULATIONS.					