

PRODUCT INFORMATION PACKET



Model No: B384
Catalog No: B384
5.0 HP Air Compressor Motor, 1 phase, 3600 RPM, 208-230 V, 56Y Frame, ODP
Air Compressor Motors



Regal and Century are trademarks of Regal Rexnord Corporation or one of its affiliated companies.
©2021 Regal Rexnord Corporation, All Rights Reserved. MC017097E





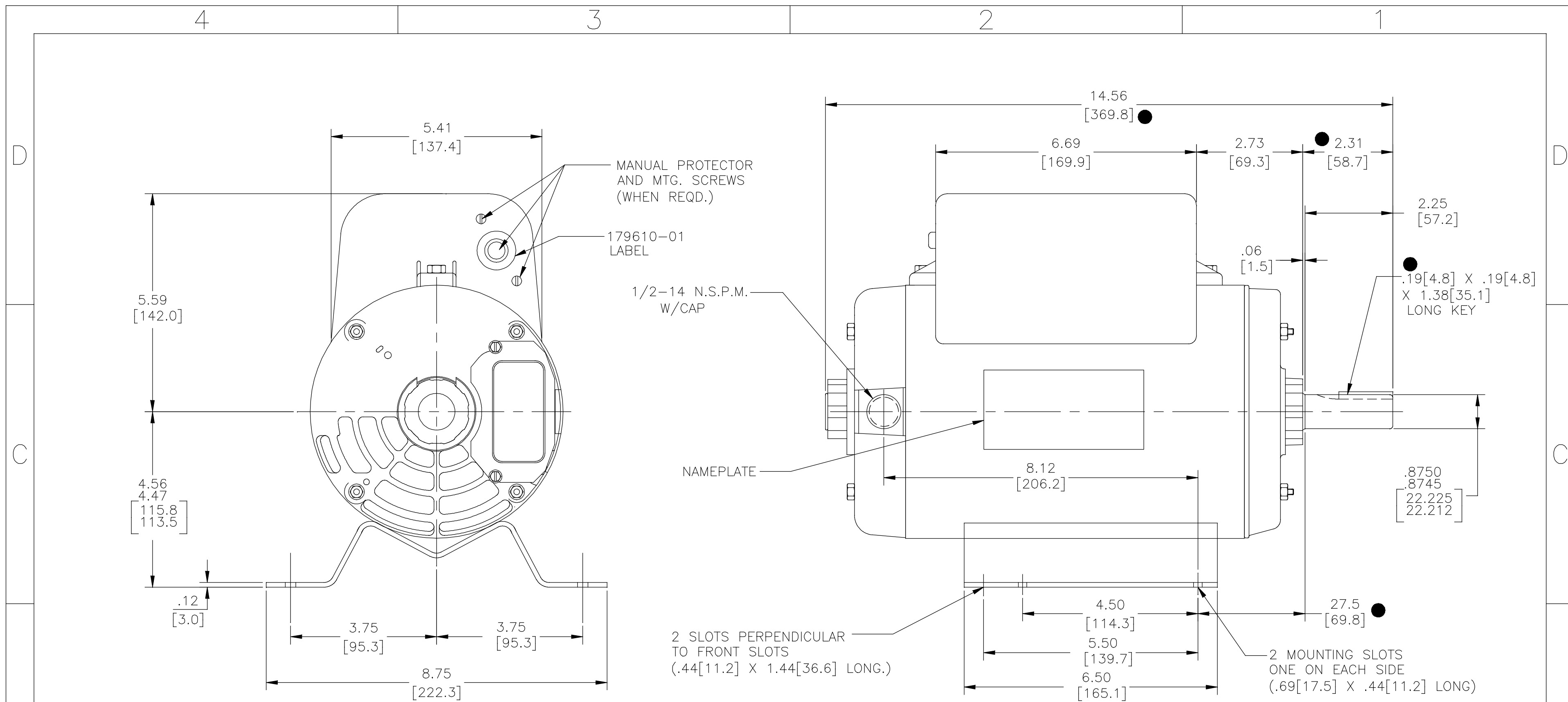
Nameplate Specifications

| | | | |
|--------------------|---------------------|---------------------|------------|
| Output HP | 5.0 Hp | Output KW | 3.7 kW |
| Frequency | 60 Hz | Voltage | 208-230 V |
| Current | 22.0 A | Speed | 3450 rpm |
| Service Factor | 1.15 | Phase | 1 |
| Duty | Continuous | Insulation Class | B |
| Frame | R56Y | Enclosure | Drip Proof |
| Thermal Protection | Thermally Protected | Ambient Temperature | 40 °C |
| UL | Recognized | CSA | Y |
| CE | N | Number of Speeds | 1 |

Technical Specifications

| | | | |
|-----------------------|--|--------------------|-----------------|
| Electrical Type | Capacitor Start, Capacitor Run, Single Or Dual Voltage | Starting Method | Across The Line |
| Poles | 2 | Rotation | Clockwise |
| Mounting | Rigid Base | Drive End Bearing | Ball |
| Opp Drive End Bearing | Ball | Frame Material | Rolled Steel |
| Shaft Type | Keyed | Overall Length | 14.56 in |
| Frame Length | 8.75 in | Shaft Diameter | 0.875 in |
| Shaft Extension | 2.31 in | | |
| Outline Drawing | B384-S01 | Connection Drawing | 17947801 |

This is an uncontrolled document once printed or downloaded and is subject to change without notice. Date Created:10/07/2021



| NAMEPLATE DATA | | EXTERNAL CONNECTION DIAGRAM | NOTES |
|--|--|-----------------------------|--|
| MODEL: B384 CUST PN: 182678 HP: 5.0 SF: 1.15 ROT: CW RPM: 3450 TYPE: CP CODE: G FORM: KHH FRAME: R56Y VOLTS: 208-230 AMPS: 22.0 MAX AMPS: SF AMPS: - PH: 1 HZ: 60 INS: B AMB: 40 DUTY: CONT ENCLOSURE: DP THERMALLY PROTECTED | | | 1. TERMINAL BOX TO BE LOCATED AT 12:00 WITHIN +/- 1 1/2' 2. NAMEPLATE LOCATION AT 3:00 HORIZONTAL |

ALL DIMENSIONS SHOWN IN PARENTHESIS ARE REFERENCE DIMENSIONS. ALL OTHER DIMENSIONS ARE TOLERANCED PER THE FOLLOWING CHART UNLESS OTHERWISE SPECIFIED.

"C" DIM. = +/- .055[1.40]
 SHAFT EXT. = +/- .034[.86]
 LEAD LENGTHS = +/- 1.00[25.4]
 EXTENDED THRU-BOLTS = +/- .050[1.27]
 ANGULAR DIM. = +/- 2 DEG.

● = CRITICAL DIM.

| PERFORMANCE CURVE | | APPROVED SAMPLE | |
|-------------------|---------|-----------------|---------|
| UL COMPONENT | | CSA | |
| FILE# | CCN# | FILE# | GUIDE# |
| PENDING | PENDING | PENDING | PENDING |
| CUSTOMER | | DISTRIBUTION | |

| | | | | | |
|---|---|----------------------------------|---|--|---|
| DRAWING REVISION D ECO-0159053 SEE ECO | REVISION BY NANCY.LIU APPROVED BY KEFU.SHI | DATE 12-27-2018 12-27-2018 | TOLERANCES UNLESS OTHERWISE SPECIFIED DEC. INCH mm ANGLE X ±0.1 [±0.5] ±0.5° .XX ±0.02 [±0.13] .XXX ±0.005 [±0.013] .XXXX ±0.0005 [±0.0013] REMOVE BURRS & BREAK SHARP EDGES .003/.015 [0.08/.38] CORNER FILLETS .02 [0.5] MACHINED SURFACES $\sqrt{125}$ INCH \sqrt{mm} 3/2 mm SHOWN IN [BRACKETS] | DRAWN BY: BS DATE: 08-10-2009 APPROVED BY: LX DATE: 08-10-2009 REFERENCE | Regal Beloit America, Inc. DESCRIPTION MODEL-CFHP-56FR OUTLINE MATERIAL PROCESS/FINISH |
| COPYRIGHT REGAL BELOIT AMERICA, INC. ALL RIGHTS RESERVED. PROPRIETARY AND CONFIDENTIAL INFORMATION - THIS DOCUMENT IS THE PROPERTY OF REGAL BELOIT AMERICA, INC. ("OWNER") AND CONTAINS OWNER'S PROPRIETARY INFORMATION. ANY PERSON, CORPORATION OR OTHER FIRM RECEIVING IT IS DEEMED, BY RECEIVING IT, TO AGREE THAT IT, AND/OR ANY PART OF IT, SHALL NOT BE DISCLOSED TO ANY PERSON, CORPORATION OR OTHER ENTITY, DUPLICATED, AND/OR USED, EXCEPT AS EXPRESSLY APPROVED IN WRITING IN ADVANCE BY OWNER. THIS DOCUMENT SHALL BE RETURNED TO OWNER UPON REQUEST. IT MAY BE SUBJECT TO CERTAIN RESTRICTIONS UNDER APPLICABLE EXPORT CONTROL LAWS AND REGULATIONS. | | | THIRD ANGLE PROJECTION | SIZE DWG NO C B384 SHEET 1 | |