

PRODUCT INFORMATION PACKET



Model No: B222
Catalog No: B222
1.0 HP Aeration Fan Motor, 1 phase, 3600 RPM, 115/230 V, 56 Frame, TENV
Aeration Fan Motors



Regal and Century are trademarks of Regal Rexnord Corporation or one of its affiliated companies.
©2021 Regal Rexnord Corporation, All Rights Reserved. MC017097E





Nameplate Specifications

Output HP	1.0 Hp	Output KW	0.75 kW
Frequency	60 Hz	Voltage	115/230 V
Current	9.2/4.6 A	Speed	3450 rpm
Service Factor	1	Phase	1
Duty	Continuous	Insulation Class	B
Frame	L56	Enclosure	Totally Enclosed Non Ventilated
Thermal Protection	Thermally Protected	Ambient Temperature	40 °C
UL	Recognized	CSA	Y
CE	N	Number of Speeds	1

Technical Specifications

Electrical Type	Permanent Split Capacitor, Single Or Dual Voltage	Starting Method	Across The Line
Poles	2	Rotation	Reversible Counterclockwise
Mounting	Rigid Base	Drive End Bearing	Ball
Opp Drive End Bearing	Ball	Frame Material	Rolled Steel
Shaft Type	Keyed	Overall Length	11.06 in
Frame Length	6.25 in	Shaft Diameter	0.625 in
Shaft Extension	1.94 in		
Outline Drawing	162845-S01	Connection Drawing	17050801.PCX

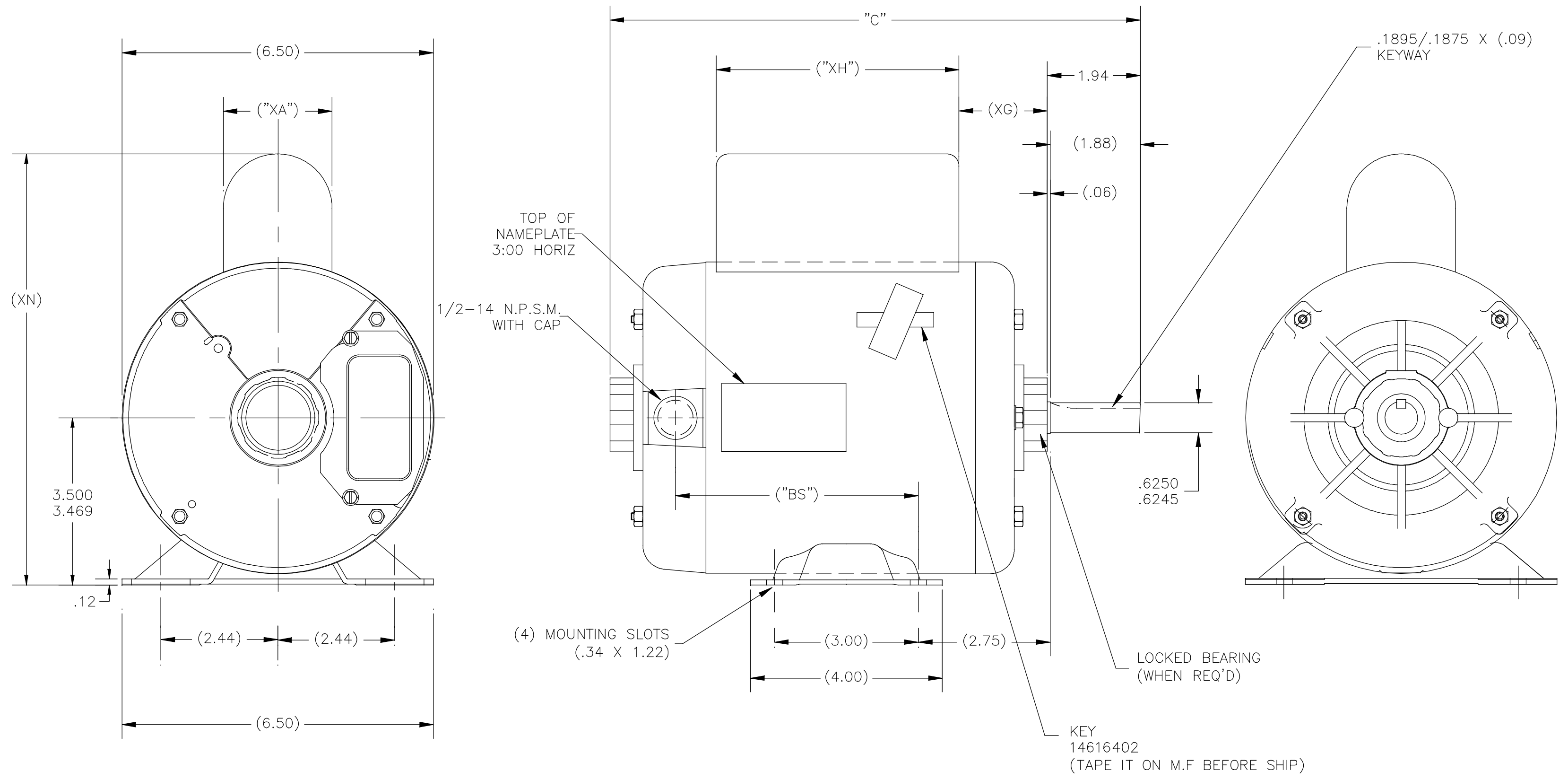
This is an uncontrolled document once printed or downloaded and is subject to change without notice. Date Created:10/07/2021

GROUP	TYPE	FRAME	"C"	("BS")	("XA")	("XG")	("XH")	("XN")
-01	CS	J56	11.06	5.00	1.64	2.84	4.08	8.37
-02	SC	J56	11.06	5.00	-----	-----	-----	-----
-03	SC	H56	10.06	4.00	-----	-----	-----	-----
-04	CS	K56	11.44	5.38	2.01	3.22	5.06	8.70
-05	CS	L56	12.18	6.12	2.01	2.97	5.06	8.70
-06	CS	J56	11.06	5.00	2.01	2.84	4.06	8.70
-07	CS	K56	11.44	5.38	2.01	3.22	4.06	8.70
-08	CS	L56	12.18	6.12	2.01	3.96	4.06	8.70
-09	CS	M56	12.69	6.62	1.64	4.46	4.08	8.37

REV	ECO	REV BY	DATE	APPD	DATE
M	ECO-0192147	D.SURYAWANSHI	09/14/2020		

NOTES
 (1) ALL DIMENSIONS SHOWN IN PARENTHESIS ARE REFERENCE DIMENSIONS. ALL OTHER DIMENSIONS ARE TOLERANCED PER THE FOLLOWING CHART UNLESS OTHERWISE SPECIFIED.

"C" DIMENSION = +/- .055
 SHAFT EXTENSION = +/- .034
 LEAD LENGTHS = +/- 1.00
 EXTENDED THRU-BOLTS = +/- .050



GEOMETRIC CHARACTERISTICS & SYMBOLS
 ▽ FLATNESS
 — STRAIGHTNESS
 < ANGLARITY
 ⊥ PERPENDICULARITY (SQUARENESS)
 // PARALLELISM
 ○ ROUNDNESS (CIRCULARITY)
 ⌀ CYLINDRICITY
 △ PROFILE OF ANY SURFACE
 ∩ PROFILE OF ANY LINE
 ↑ RUNOUT
 ⊕ TRUE POSITION
 ⊙ CONCENTRICITY
 = SYMMETRY
 ASME Y14.5M 1994

UNLESS OTHERWISE SPECIFIED
 DIM. TOLERANCES ARE AS FOLLOWS:
 INCH X XX XXX XXXX
 ±.1 ±.02 ±.005 ±.0005
 mm ±0.5 ±0.13 ±0.013
 ANG. ±.50 DEG
 REMOVE BURRS & BREAK SHARP EDGES:
 INCH .003-.015 mm 0.1-0.4
 CORNER FILLETS TO:
 INCH .020 mm 0.5
 MACHINE SURFACES:
 INCH 125 mm 3.2
 METRIC DIMS. SHOWN IN [BRACKETS]

DR BY: PLM 04-16-1992
 APPD:
 THIRD ANGLE PROJECTION
 EDS DATE 11-11-2011
 FORMAT REV G
 CONFIDENTIAL: THIS DRAWING AND ITS INFORMATION ARE THE EXCLUSIVE AND CONFIDENTIAL PROPERTY OF REGAL-BELOIT CORPORATION AND ARE NOT TO BE DISCLOSED, DUPLICATED, DISTRIBUTED OR OTHERWISE USED WITHOUT THE WRITTEN CONSENT OF REGAL-BELOIT CORPORATION. -ALL RIGHTS RESERVED.

REGAL-BELOIT CORPORATION

DESCRIPTION: **OUTLINE**

SIZE: C DWG NO: 162845

SCALE: NONE SHEET: 1