

PRODUCT INFORMATION PACKET



Model No: 9669
Catalog No: 9669
1/12 HP Refrigeration Motor, 1050 RPM, 208-230 Volts, 42 Frame, TEAO
Refrigeration Motors



Regal and Century are trademarks of Regal Rexnord Corporation or one of its affiliated companies.
©2021 Regal Rexnord Corporation, All Rights Reserved. MC017097E





Nameplate Specifications

Output HP	1/12 Hp	Output KW	0.06 kW
Frequency	50 Hz	Voltage	208-230 V
Current	0.61 A	Speed	1050 rpm
Service Factor	1	Phase	1
Duty	Air Over	Insulation Class	B
Frame	42Y	Enclosure	Totally Enclosed
Thermal Protection	Thermally Protected	Ambient Temperature	40 °C
UL	Recognized	CSA	Y
CE	N	Number of Speeds	1

Technical Specifications

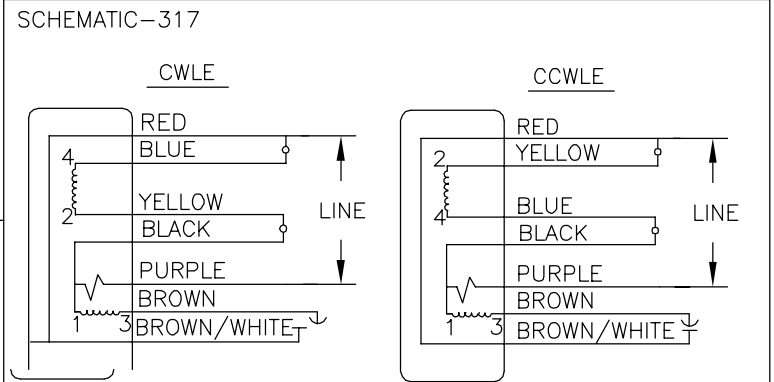
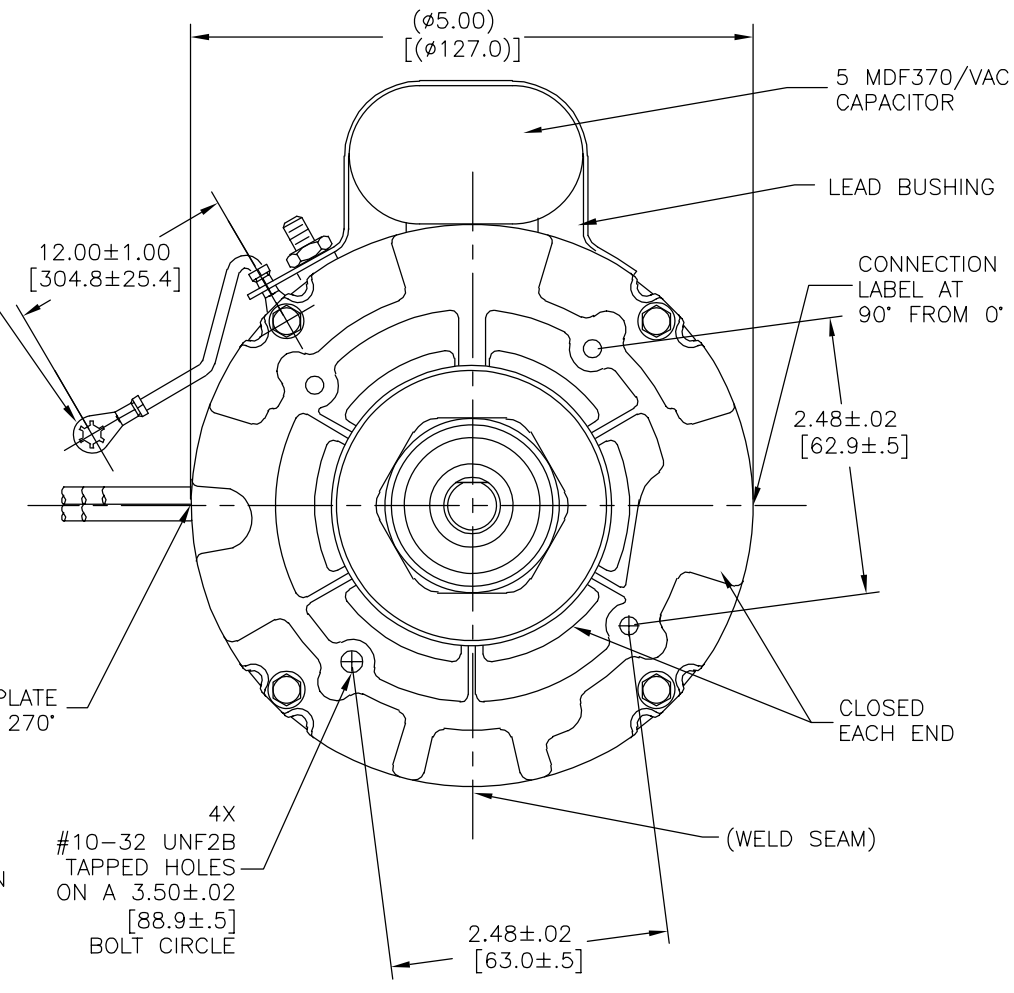
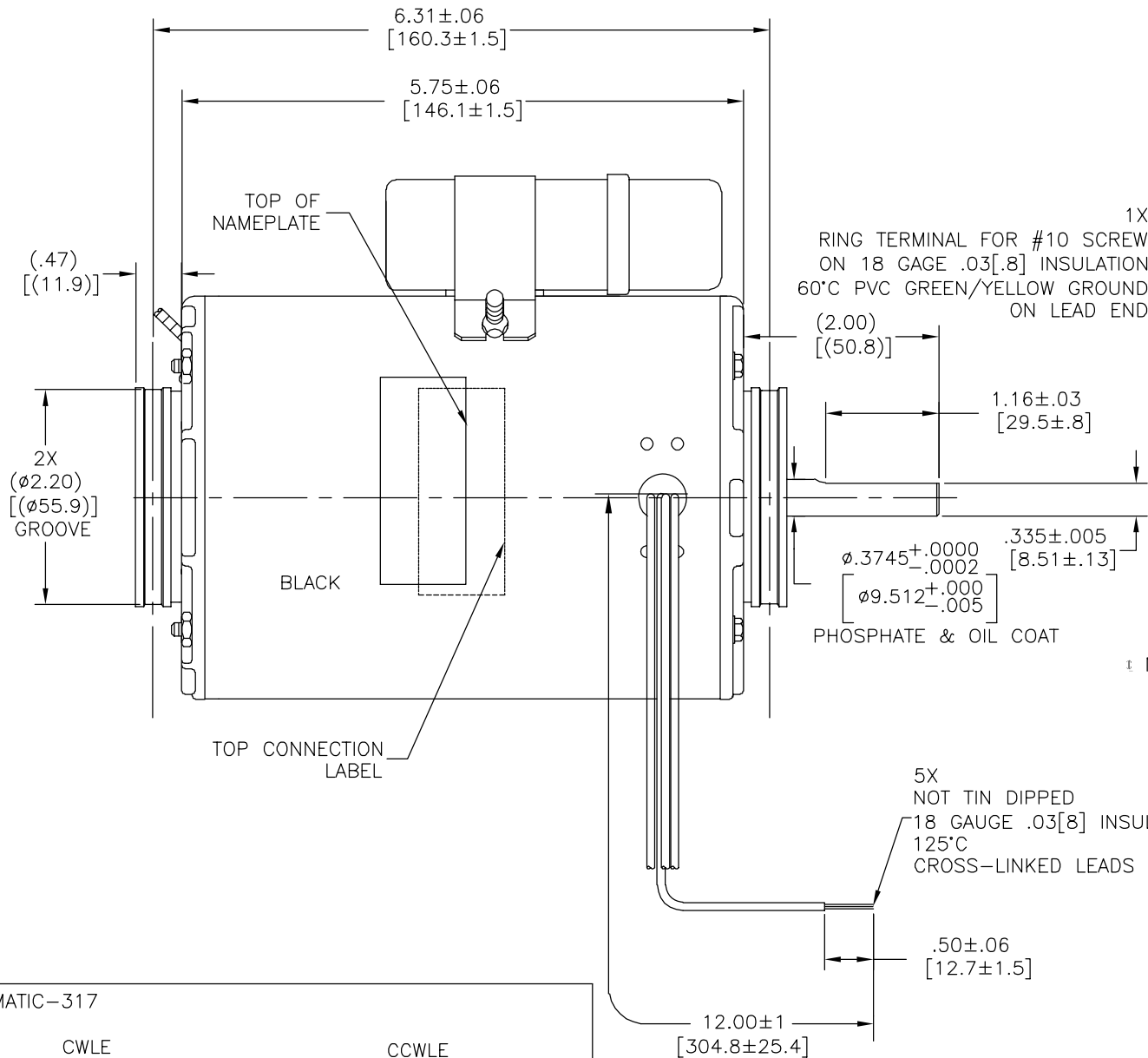
Electrical Type	Permanent Split Capacitor	Starting Method	Across The Line
Poles	6	Rotation	Reversible
Mounting	Resilient Rings	Drive End Bearing	Sleeve
Opp Drive End Bearing	Sleeve	Frame Material	Rolled Steel
Shaft Type	Flat	Frame Length	5.75 in
Shaft Diameter	0.375 in	Shaft Extension	2 in
Outline Drawing	DE3F7117-S01		

This is an uncontrolled document once printed or downloaded and is subject to change without notice. Date Created:10/07/2021

CUSTOMER IS SOLELY RESPONSIBLE FOR MOTOR PERFORMANCE AND SUITABILITY IN APPLICATIONS FOR CUSTOMER'S USES.

REV	ECO	REV BY	DATE	APPD	DATE
D	0029021	E.SINECIO	10-18-2012	G.ALVIDREZ	10-18-2012

ENDPLAY .005 MINIMUM - .040 MAXIMUM
 MAXIMUM SHAFT RUNOUT .001 PER INCH
 MAXIMUM RUN OUT NOT TO EXCEED .010[.25]



ROT: REVERSIBLE

NAMEPLATE DATA:

Century Tipp City, OH THERMALLY PROTECTED

SER. DATE & PO# PLT LTR MOD DE3F117N' 9669
 VOLTS 208-230 HZ50-60 AMPS.61
 RPM 1050 SP1 PH1 CAP 5MFD/370 VAC
 INS CL B AMB 40°C HP 1/12 AIR OVER
 BRG SLV

ASSEMBLED IN MEXICO

CONNECTION LABEL 63T7432-303

CCWLE	CONNECT YELLOW TO RED AND CONNECT BLACK TO BLUE LEAD
CWLE	CONNECT BLUE TO RED AND CONNECT BLACK TO YELLOW LEAD

GEOMETRIC CHARACTERISTICS & SYMBOLS

- FLATNESS
- STRAIGHTNESS
- ∠ ANGULARITY
- ⊥ PERPENDICULARITY (SQUARENESS)
- // PARALLELISM
- ROUNDNESS (CIRCULARITY)
- ⊘ CYLINDRICITY
- △ PROFILE OF ANY SURFACE
- ∇ PROFILE OF ANY LINE
- ∩ RUNOUT
- ⊕ TRUE POSITION
- ◎ CONCENTRICITY
- ≡ SYMMETRY

ASME Y14.5M 1994

UNLESS OTHERWISE SPECIFIED DIM. TOLERANCES ARE AS FOLLOWS:

INCH	±.1	±.02	±.005	±.0005
mm	±0.5	±0.13	±0.013	

ANG. ±.50 DEG
 REMOVE BURRS & BREAK SHARP EDGES:
 INCH .003-.015 mm 0.1-0.4
 CORNER FILLETS TO:
 INCH .020 mm 0.5
 MACHINE SURFACES:
 INCH 125 mm 3.2

METRIC DIMS. SHOWN IN [BRACKETS]

DR BY:

APPD:

THIRD ANGLE PROJECTION

EDS DATE 11-11-2011
 FORMAT REV H

CONFIDENTIAL: THIS DRAWING AND ITS INFORMATION ARE THE EXCLUSIVE AND CONFIDENTIAL PROPERTY OF REGAL-BELOIT CORPORATION AND ARE NOT TO BE DISCLOSED, DUPLICATED, DISTRIBUTED OR OTHERWISE USED WITHOUT THE WRITTEN CONSENT OF REGAL-BELOIT CORPORATION. -ALL RIGHTS RESERVED.

REGAL REGAL-BELOIT CORPORATION

DESCRIPTION: MODEL-RFHP-42FR OUTLINE

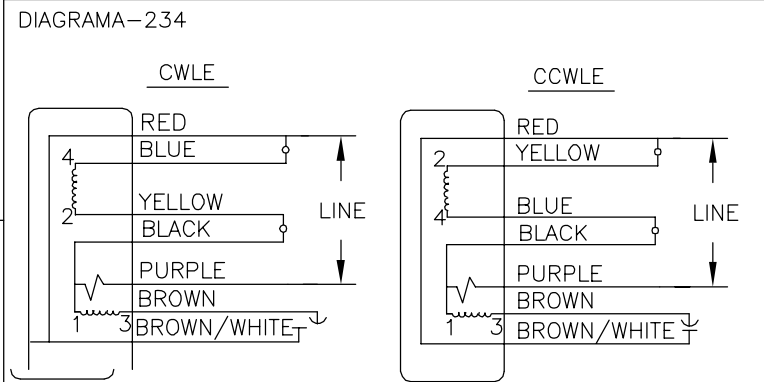
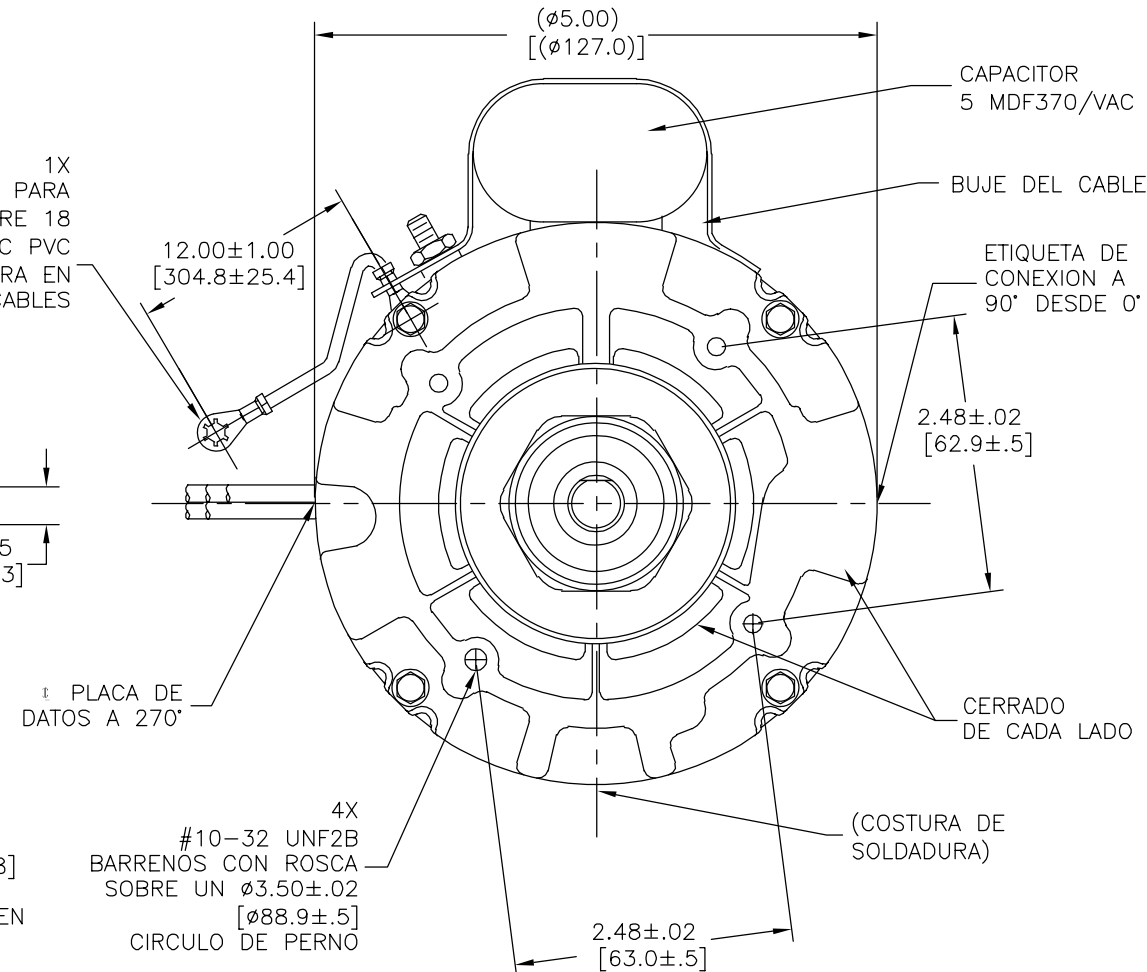
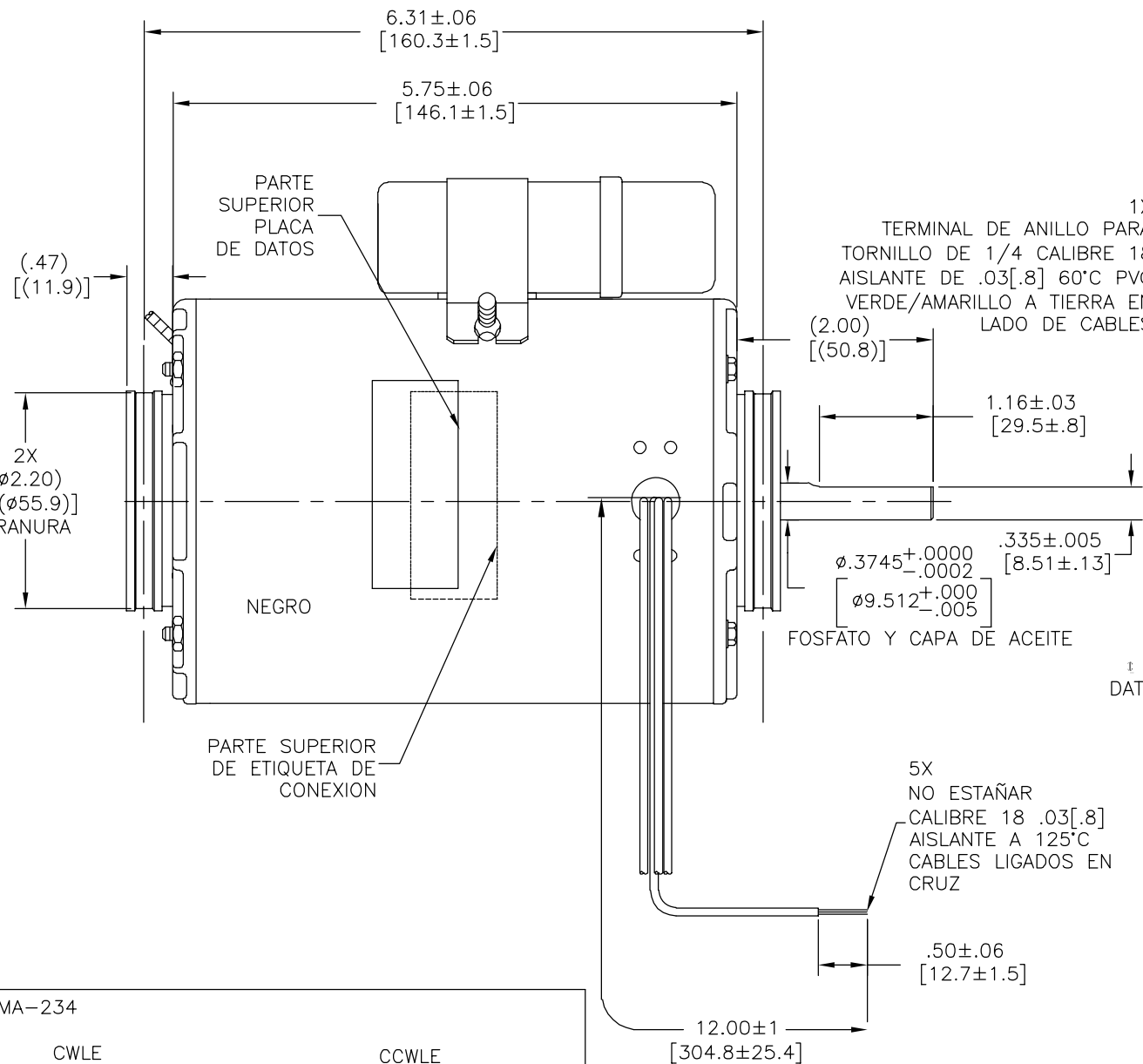
SIZE C DWG NO DE3F7116

SCALE NONE SHEET 1

EL CLIENTE ES SOLO RESPONSABLE DEL RENDIMIENTO DEL MOTOR Y APLICACIONES CONVENIENTES PARA LOS USOS DEL CLIENTE

REVISION:	ECO	REVISADO POR:	FECHA:	APROBADO POR:	FECHA:
D	0029021	E.SINECIO	10-18-2012	G.ALVIDREZ	10-18-2012

JUEGO AXIAL .005[.13]MINIMO - .040[1.02]MAXIMO
 MAXIMA OSCILACION DE FLECHA .001[.03] POR PULGADA
 MAXIMA OSCILACION NO DEBE EXCEDER .010[.25]



ROT: REVERSIBLE

PLACA DE DATOS:

Tipp City, OH
THERMALLY PROTECTED

SER. DATE & PO# PLT LTR MOD DE3F117N' 9669
 VOLTS 208-230 HZ50-60 AMPS.61
 RPM 1050 SP1 PH1 CAP 5MFD/370 VAC
 INS CL B AMB 40°C HP 1/12 AIR OVER
 BRG SLV

ASSEMBLED IN MEXICO

ETIQUETA DE CONEXION
63T7432-303

CCWLE	CONECTAR CABLE AMARILLO A ROJO Y CABLE NEGRO A CABLE AZUL
CWLE	CONECTAR CABLE AZUL A CABLE ROJO Y CABLE NEGRO A CABLE AMARILLO

CARACTERISTICAS DE GEOMETRIA Y SIMBOLOS

- PLANICIDAD
- RECTITUD
- ∠ ANGULARIDAD
- ⊥ PERPENDICULARIDAD (A ESQUADRA)
- // PARALELISMO
- REDONDEZ (CIRCULARIDAD)
- ∅ CILINDRICIDAD
- △ PERFIL DE CUALQUIER SUPERFICIE
- ∇ PERFIL DE CUALQUIER LINEA
- ∩ VARIACION
- ⊕ POSICION REAL
- ◎ CONCENTRICIDAD
- = SIMETRIA

ASME Y14.5M 1994

A MENOS QUE SE ESPECIFIQUE DE OTRA MANERA, LAS TOLERANCIAS DE LAS DIMS; SON LAS SIGUIENTES:

PULG	±.1	±.02	±.005	±.0005
mm	±0.5	±0.13	±0.013	

ANG. ±.50 GRADOS
 ELIMINAR REBABAS Y ORILLAS FILOSAS DEL BORDE.

PULG	.003-.015	mm	0.1-0.4
------	-----------	----	---------

FILETEAR ESQUINA: PULG .020 mm 0.5
 MAQUINAR SUPERFICIES
 PULG 125 mm 3.2

DIMS METRICAS MOSTRADAS [PARENTESIS]

DIBUJADO POR:

APROBADO POR:

TERCER ANGULO DE PROYECCION

FECHA EDS: 11-11-2011
 REV. FORMATO: H

CONFIDENCIAL: ESTE DIBUJO Y SU INFORMACION SON PROPIEDAD DE USO EXCLUSIVO Y CONFIDENCIAL DE REGAL-BELOIT CORPORATION. Y NO DEBERAN SER REVELADOS, DUPLICADOS, DISTRIBUIDOS O USARSE DE OTRA MANERA SIN EL CONSENTIMIENTO ESCRITO DE REGAL-BELOIT CORPORATION. -TODOS LOS DERECHOS RESERVADOS.

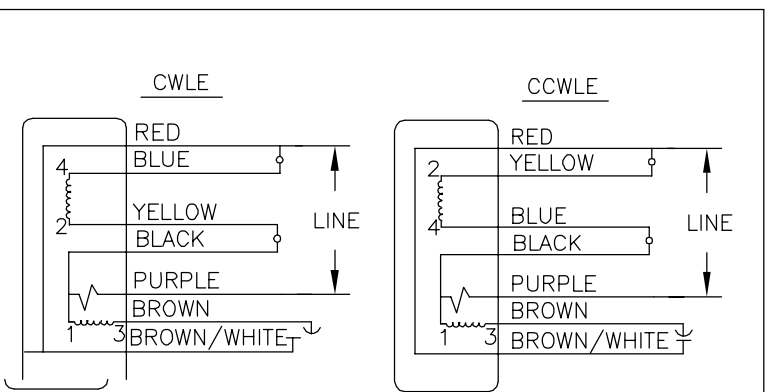
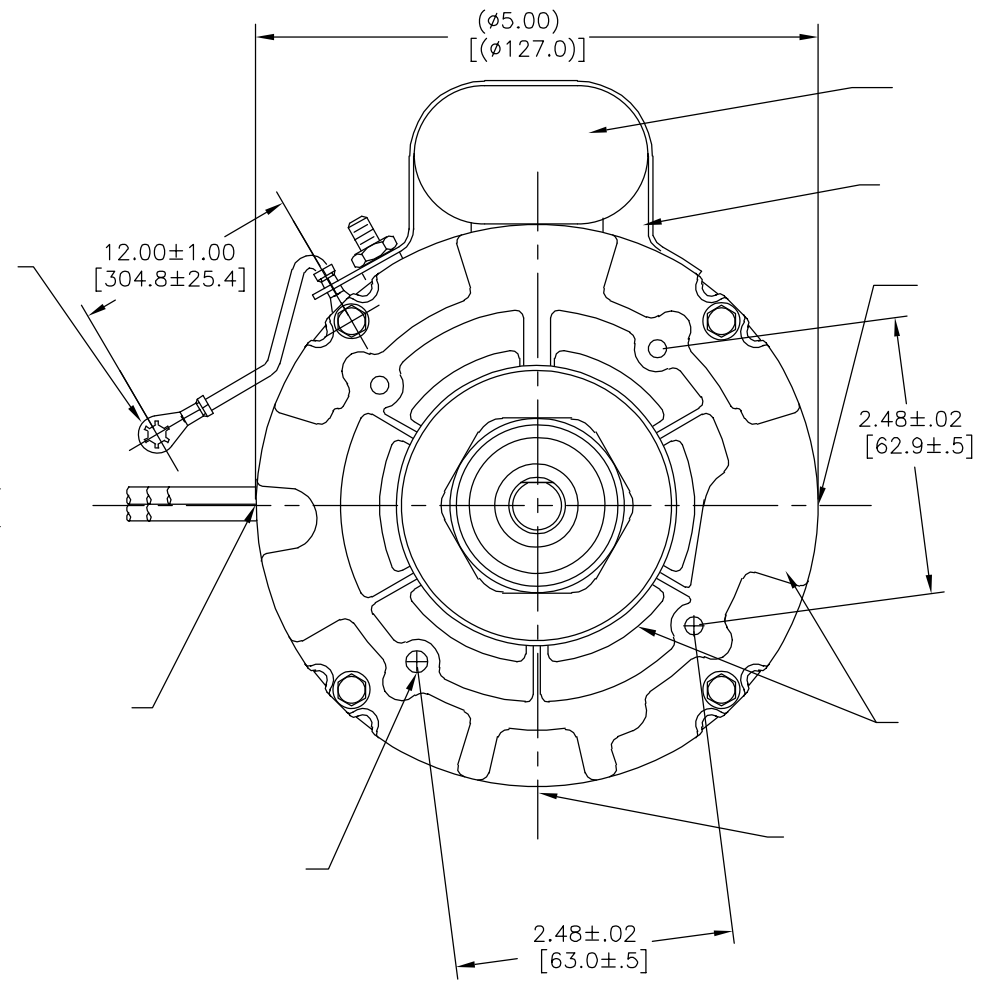
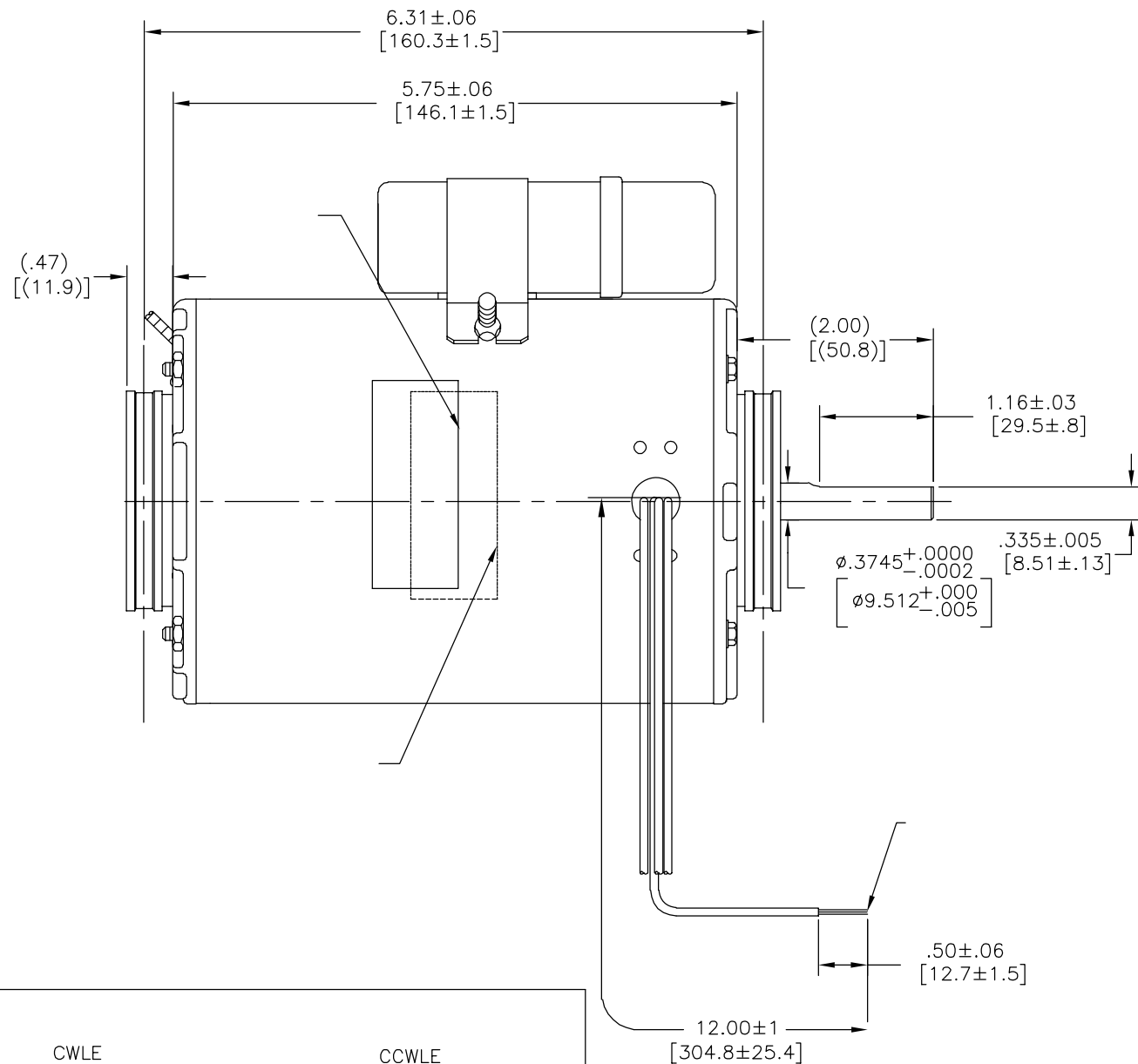
REGAL REGAL-BELOIT CORPORATION

DESCRIPCION:
MODEL-RFHP-42FR
OUTLINE

TAMAÑO: C NUMERO DE DIBUJO: DE3F7116

ESCALA: NONE HOJA: 1

版本	ECO	编制	日期	批准	日期
D	0029021	E.SINECIO	10-18-2012	G.ALVIDREZ	10-18-2012



ROT: REVERSIBLE

Century Tipp City, OH
THERMALLY PROTECTED

SER. DATE & PO# PLT LTR MOD DE3F117N' 9669
VOLTS 208-230 HZ50-60 AMPS.61
RPM 1050 SP1 PH1 CAP 5MFD/370 VAC
INS CL B AMB 40°C HP 1/12 AIR OVER
BRG SLV

ASSEMBLED IN MEXICO

63T7432-303
CCWLE
CWLE

形位公差
 □ 平面度
 — 直线度
 < 倾斜度
 ⊥ 垂直度
 // 平行度
 ○ 圆度
 ⊙ 圆柱度
 △ 面轮廓度
 ⊖ 线轮廓度
 ⤴ 圆跳动
 ⊕ 位置度
 ⊗ 同轴度
 ≡ 对称度

ASME Y14.5M 1994

除另有注明
尺寸公差如下:

英寸	±.1	±.02	±.005	±.0005
毫米	±0.5	±0.13	±0.013	

角度 ±.50 度
 清理毛刺和尖棱
 英寸 .003-.015 毫米 0.1-0.4
 内圆角
 英寸 .020 毫米 0.5
 表面粗糙度
 英制 125 米制 3.2

米制尺寸显示在 []

绘图: _____

批准: _____

第三角投影

图纸格式发布日期 11-11-2011
图纸格式版本 H

机密: 本图纸及相关信息所有权归REGAL-BELOIT CORPORATION
未经REGAL-BELOIT CORPORATION书面授权, 不得泄露、
复制、传播或作其他用途。—版权所有

REGAL REGAL-BELOIT CORPORATION

名称 MODEL-RFHP-42FR
OUTLINE

图幅 C 图号 DE3F7116

比例 NONE 页号 1