

PRODUCT INFORMATION PACKET



Model No: 9208F2
Catalog No: 9208F2
14-15-16 WATT Refrigeration Motor, 1550 RPM, 115 Volts, Unit Bearing, TEAO
Unit Bearing Motors



Regal and Century are trademarks of Regal Rexnord Corporation or one of its affiliated companies.
©2021 Regal Rexnord Corporation, All Rights Reserved. MC017097E





Nameplate Specifications

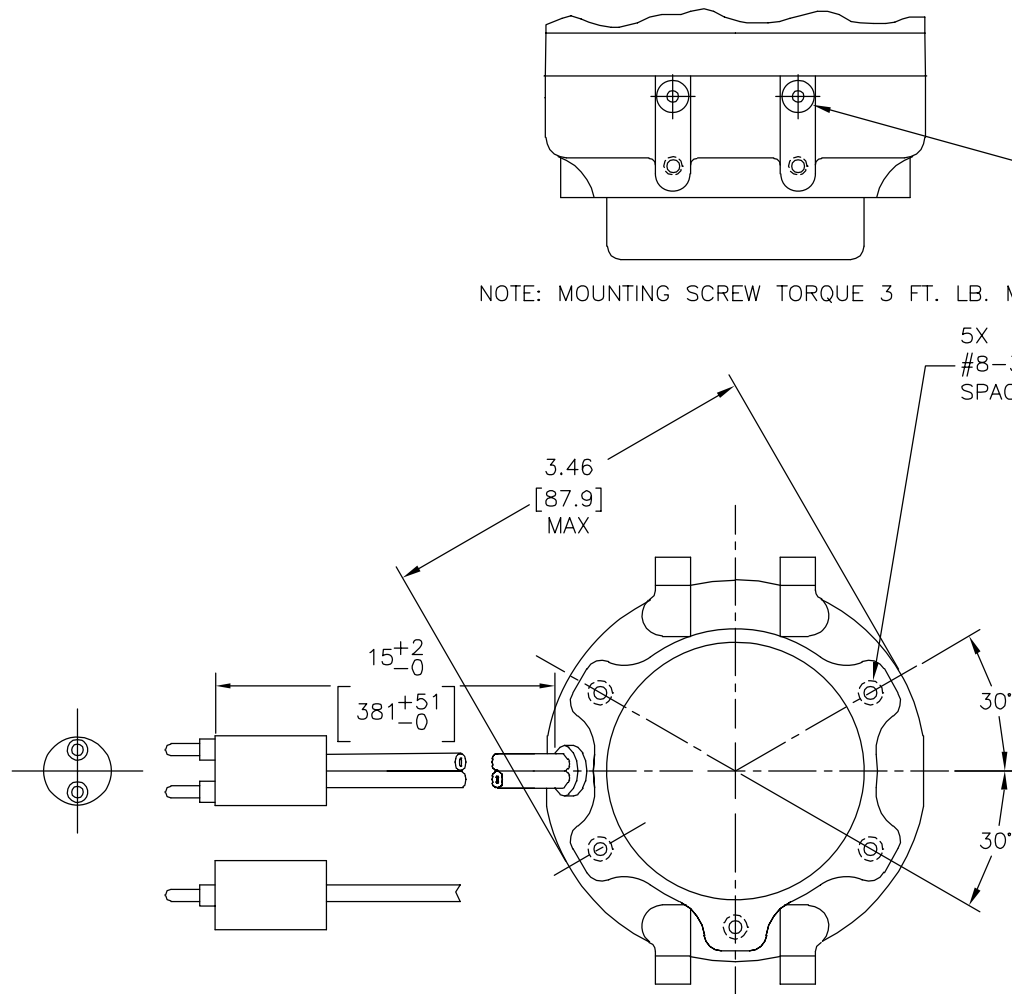
Output Watts	14, 15, 16 W	Frequency	50 Hz
Voltage	115 V	Current	.47-.58 A
Speed	1550 rpm	Service Factor	1
Phase	1	Duty	Continuous
Insulation Class	A	Frame	UNIT BEARING
Enclosure	Totally Enclosed Air Over	Thermal Protection	Electronic
Ambient Temperature	40 °C	UL	Recognized
CSA	Y	CE	N
Number of Speeds	1		

Technical Specifications

Electrical Type	Electronically Commutated Motor	Starting Method	Across The Line
Poles	4	Rotation	Clockwise Lead End
Mounting	2 BOSS/OSE 5 HOLES	Drive End Bearing	Unit
Opp Drive End Bearing	Unit	Frame Material	Cast Iron
Shaft Type	Threaded	Frame Length	3.72 in
Shaft Diameter	1/4x20 in	Shaft Extension	0.42 in
Outline Drawing	9208F2-S01		

This is an uncontrolled document once printed or downloaded and is subject to change without notice. Date Created:10/07/2021

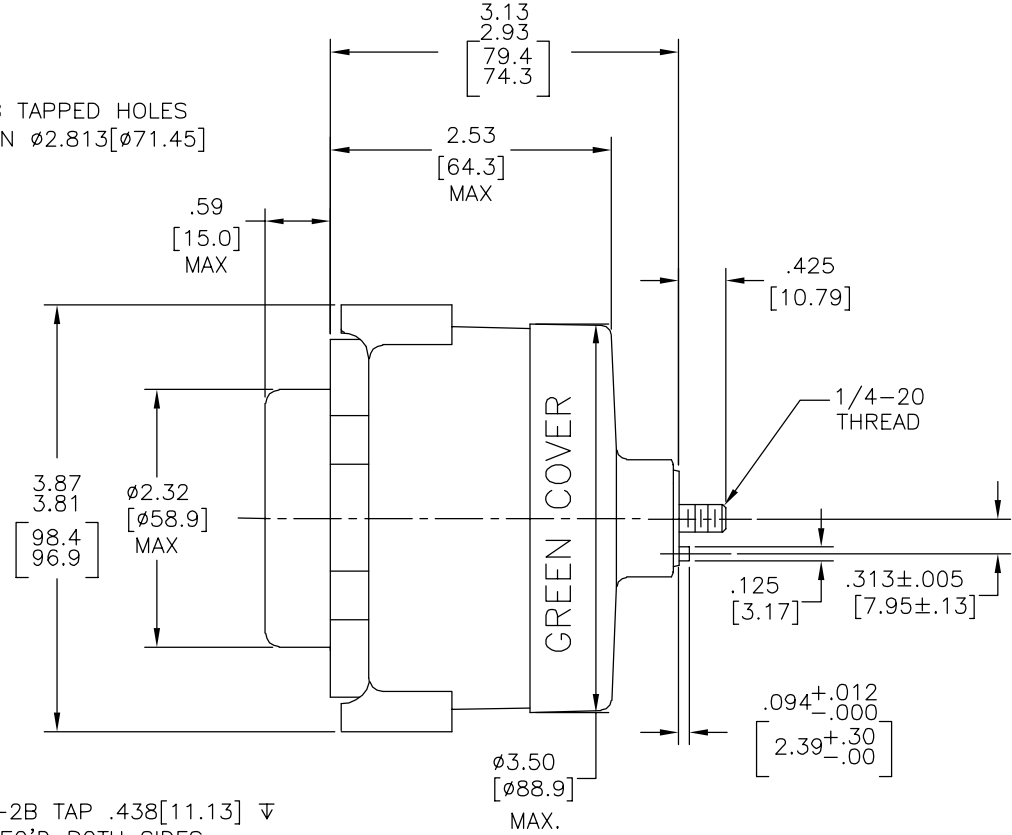
REV	ECO	REV BY	DATE	APPD	DATE
B	0025432	O. CARVAJAL	04-16-2012	D. BALDERRAMA	04-16-2012



REMOVABLE PLUGS AS SHOWN

NOTE: MOUNTING SCREW TORQUE 3 FT. LB. MAX

5X #8-36 UNF-2B TAPPED HOLES SPACED 120° ON $\phi 2.813$ [$\phi 71.45$]



#8-36 UNF-2B TAP .438 [11.13] ∇
 4X HOLES REQ'D BOTH SIDES

NOTE: OUTLINE DIMENSIONS FOR WHICH NO LIMIT IS SPECIFIED ARE NOMINAL AND NOT GUARANTEED AS TO TOLERANCE. ADDITIONAL INFORMATION ON TOLERANCES WILL BE FURNISHED ON SPECIFIC REQUEST.

UTB1CC1551EM56
 115V 60HZ CW
 CUST. NO. 9208F2

GEOMETRIC CHARACTERISTICS & SYMBOLS	
\square FLATNESS	— STRAIGHTNESS
\angle ANGULARITY	\perp PERPENDICULARITY (SQUARENESS)
\parallel PARALLELISM	\bigcirc ROUNDNESS (CIRCULARITY)
ϕ ROUNDNESS (CIRCULARITY)	--- CYLINDRICITY
\triangle PROFILE OF ANY SURFACE	\curvearrowright PROFILE OF ANY LINE
\uparrow RUNOUT	\oplus TRUE POSITION
\odot CONCENTRICITY	\equiv SYMMETRY
ASME Y14.5M 1994	

UNLESS OTHERWISE SPECIFIED DIM. TOLERANCES ARE AS FOLLOWS:	
INCH	$\pm .1$ $\pm .02$ $\pm .005$ $\pm .0005$
mm	± 0.5 ± 0.13 ± 0.013
ANG. $\pm .50$ DEG	
REMOVE BURRS & BREAK SHARP EDGES:	
INCH	.003-.015
mm	0.1-0.4
CORNER FILLETS TO:	
INCH	.020
mm	0.5
MACHINE SURFACES:	
INCH	$\sqrt{125}$
mm	3.2
METRIC DIMS. SHOWN IN [BRACKETS]	

DR BY:	J. NICHTER	01-30-2009
APPD:	C. MCREYNOLDS	04-13-2009
THIRD ANGLE PROJECTION	\oplus	EDS DATE 11-11-2011 FORMAT REV G
CONFIDENTIAL: THIS DRAWING AND ITS INFORMATION ARE THE EXCLUSIVE AND CONFIDENTIAL PROPERTY OF REGAL-BELOIT CORPORATION AND ARE NOT TO BE DISCLOSED, DUPLICATED, DISTRIBUTED OR OTHERWISE USED WITHOUT THE WRITTEN CONSENT OF REGAL-BELOIT CORPORATION. -ALL RIGHTS RESERVED.		

DESCRIPTION	
OUTLINE	
SIZE	C
DWG NO	9208F2
SCALE	NONE
SHEET	1

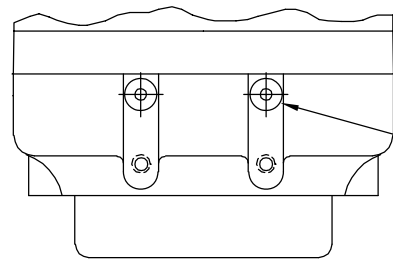
4

3

2

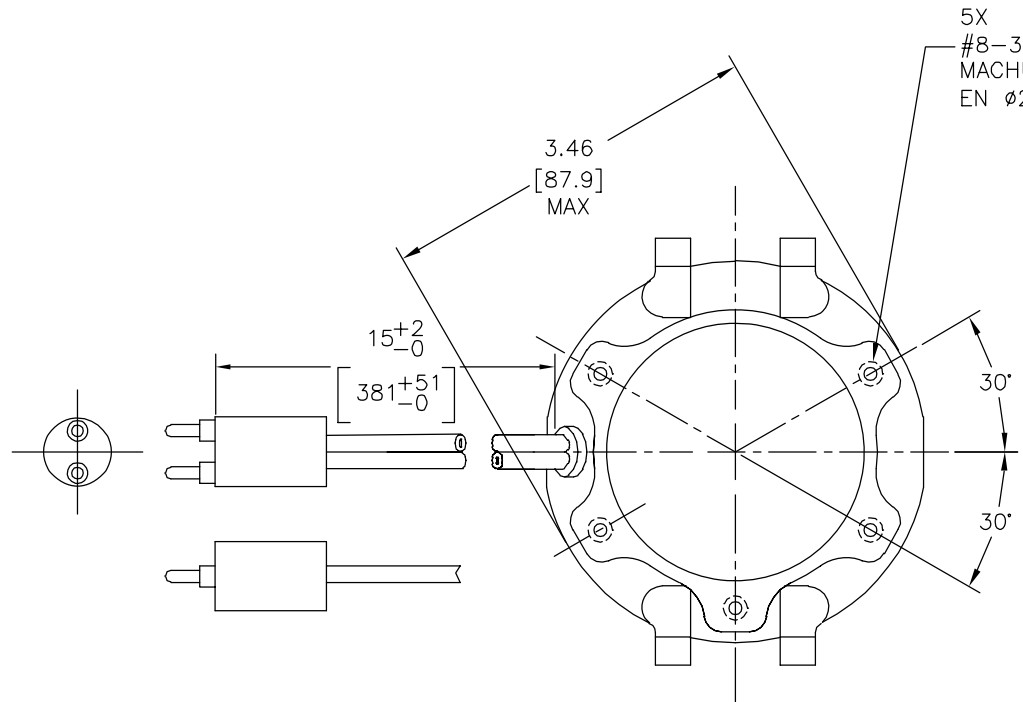
1

REVISION:	ECO	REVISADO POR:	FECHA:	APROBADO POR:	FECHA:
B	0025432	O. CARVAJAL	04-16-2012	D. BALDERRAMA	04-16-2012

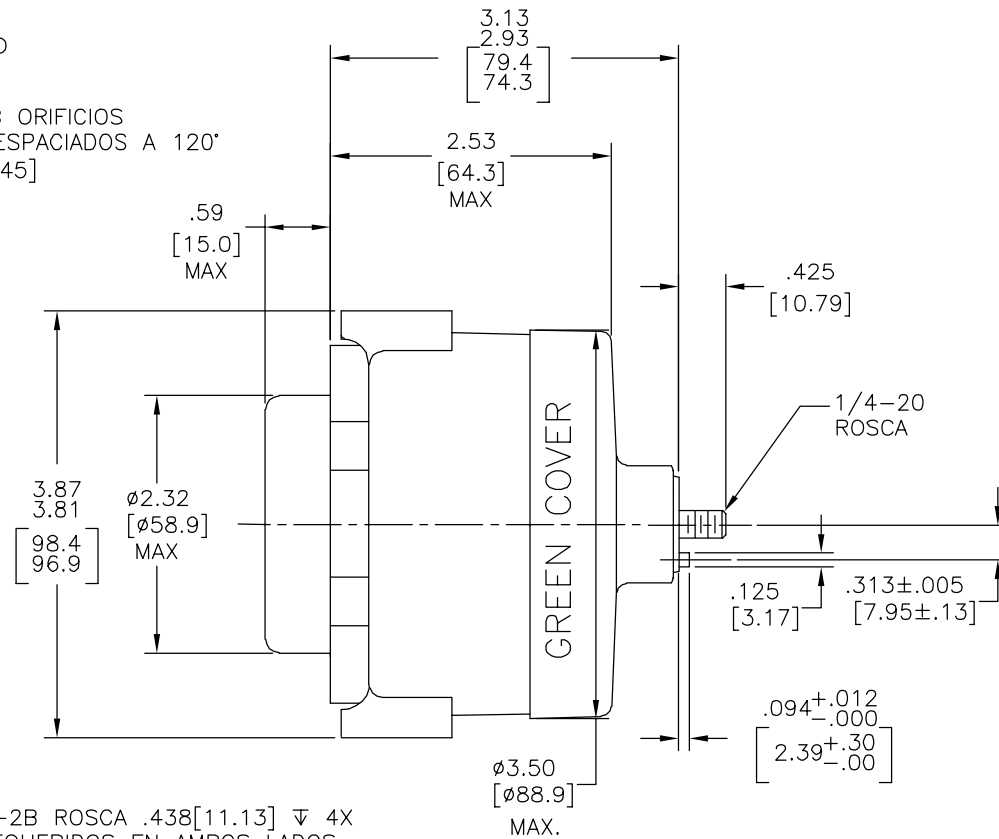


TAPONES REMOVIBLES
COMO SE MUESTRA

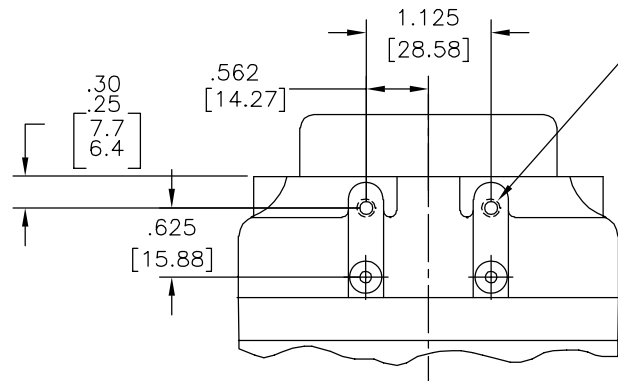
NOTA: TORNILLO DE MONTAJE TORQUE A 3 LIBRAS POR PIE MAXIMO



5X
#8-36 UNF-2B ORIFICIOS
MACHUELADOS ESPACIADOS A 120°
EN Ø2.813 [Ø71.45]



#8-36 UNF-2B ROSCA .438 [11.13] ∇ 4X
ORIFICIOS REQUERIDOS EN AMBOS LADOS



NOTA: LAS DIMENSIONES DEL DIBUJO PARA EL CUAL NO HAY LIMITES ESPECIFICADOS SON NOMINALES Y NO GARANTIZAN UNA TOLERANCIA. LA INFORMACION ADICIONAL EN TOLERANCIAS SERA PROPORCIONADA EN REQUISICIONES ESPECIFICAS.

CARACTERISTICAS DE GEOMETRIA Y SIMBOLOS	
∠	PLANICIDAD
-	RECTITUD
∠	ANGULARIDAD
⊥	PERPENDICULARIDAD (A ESCUADRA)
//	PARALELISMO
○	REDONDEZ (CIRCULARIDAD)
⊘	CILINDRICIDAD
△	PERFIL DE CUALQUIER SUPERFICIE
∧	PERFIL DE CUALQUIER LINEA
↑	VARIACION
⊕	POSICION REAL
◎	CONCENTRICIDAD
≡	SIMETRIA

A MENOS QUE SE ESPECIFIQUE DE OTRA MANERA, LAS TOLERANCIAS DE LAS DIMS; SON LAS SIGUIENTES:	
PULG	±.1 ±.02 ±.005 ±.0005
mm	±0.5 ±0.13 ±0.013
ANG.	± 50 GRADOS
ELIMINAR REBABAS Y ORILLAS FILOSAS DEL BORDE.	
PULG	.003-.015 mm 0.1-0.4
FILETEAR ESQUINA:	PULG .020 mm 0.5
MAQUINAR SUPERFICIES	PULG 125 mm 3.2
DIMS METRICAS MOSTRADAS [PARENTESIS]	

DIBUJADO POR:	J. NICTER	01-30-2009
APROBADO POR:	C. MCREYNOLDS	04-13-2009
TERCER ANGULO DE PROYECCION	⊕	FECHA EDS: 11-11-2011
		REV. FORMATO: G
CONFIDENCIAL: ESTE DIBUJO Y SU INFORMACION SON PROPIEDAD DE USO EXCLUSIVO Y CONFIDENCIAL DE REGAL-BELOIT CORPORATION. Y NO DEBERAN SER REVELADOS, DUPLICADOS, DISTRIBUIDOS O USARSE DE OTRA MANERA SIN EL CONSENTIMIENTO ESCRITO DE REGAL-BELOIT CORPORATION. -TODOS LOS DERECHOS RESERVADOS.		

DESCRIPCION: OUTLINE	
TAMAÑO: C	NUMERO DE DIBUJO: 9208F2
ESCALA: NONE	HOJA: 1

4

3

2

1

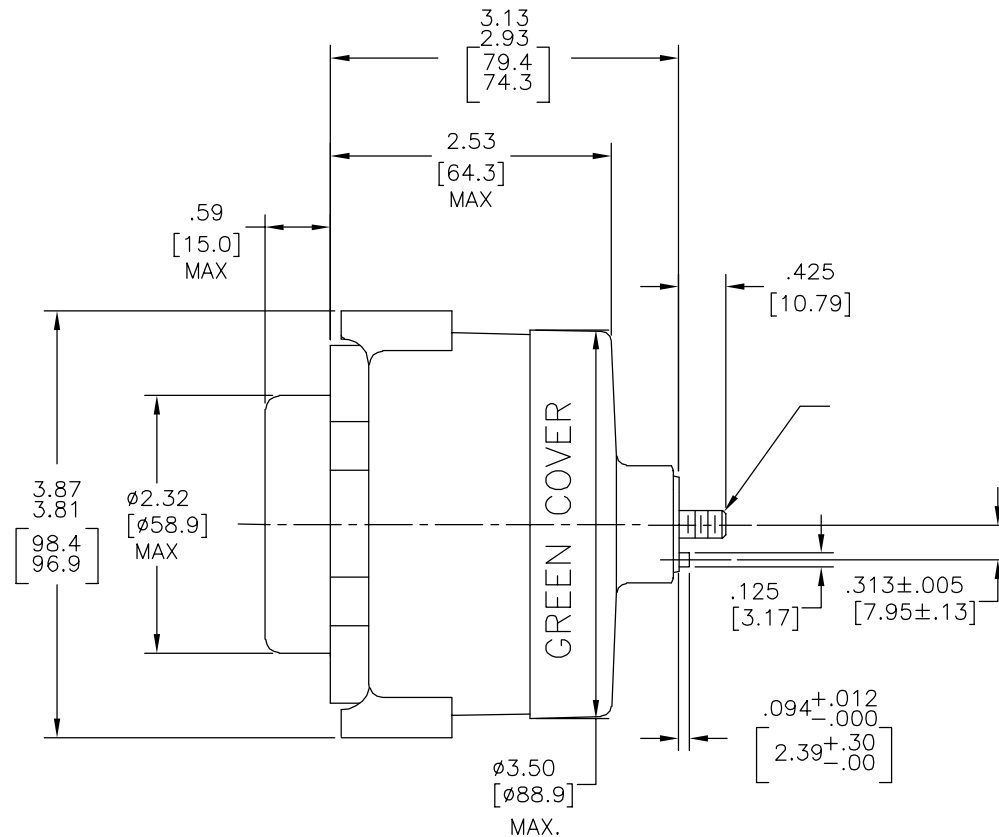
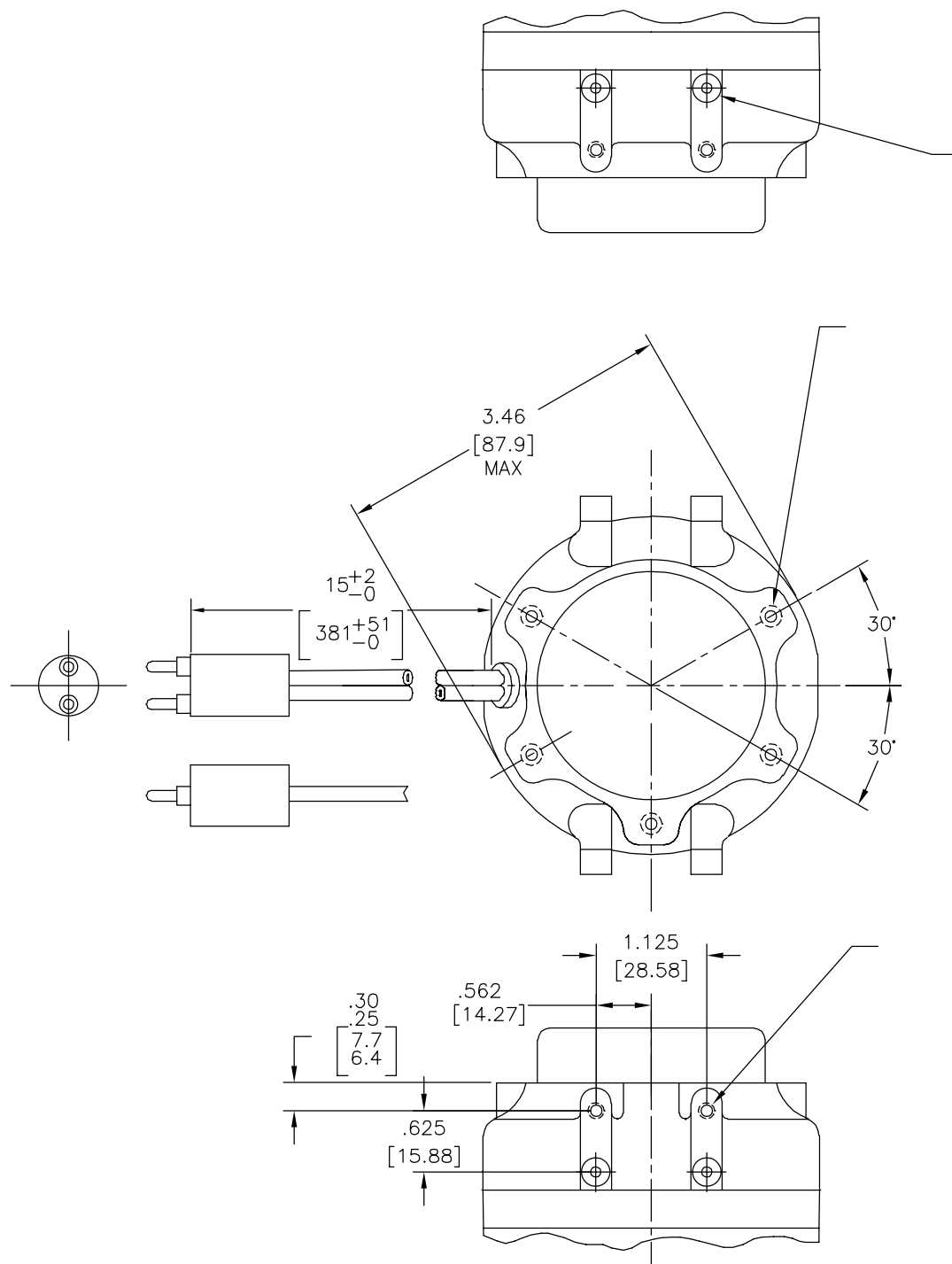
4

3

2

1

版本	ECO	编制	日期	批准	日期
B	0025432	O. CARVAJAL	04-16-2012	D. BALDERRAMA	04-16-2012



形位公差	除另有注明
□ 平面度	尺寸公差如下:
— 直线度	英寸 X XX XXX XXXX
∠ 倾斜度	英寸 ±.1 ±.02 ±.005 ±.0005
⊥ 垂直度	毫米 ±0.5 ±0.13 ±0.013
// 平行度	角度 ±.50 度
○ 圆度	清理毛刺和尖棱
⊙ 圆柱度	英寸 .003-.015 毫米 0.1-0.4
△ 面轮廓度	内圆角
∩ 线轮廓度	英寸 .020 毫米 0.5
↗ 圆跳动	表面粗糙度
⊕ 位置度	英制 125 米制 3.2
⊗ 同轴度	米制尺寸显示在 []

ASME Y14.5M 1994

除另有注明	尺寸公差如下:
英寸 X XX XXX XXXX	
英寸 ±.1 ±.02 ±.005 ±.0005	
毫米 ±0.5 ±0.13 ±0.013	
角度 ±.50 度	
清理毛刺和尖棱	
英寸 .003-.015 毫米 0.1-0.4	
内圆角	
英寸 .020 毫米 0.5	
表面粗糙度	
英制 125 米制 3.2	
米制尺寸显示在 []	

绘图:	J. NICHTER	01-30-2009
批准:	C. MCREYNOLDS	04-13-2009
第三角投影		图纸格式发布日期 11-11-2011 图纸格式版本 G
机密: 本图纸及相关信息所有权归REGAL-BELOIT CORPORATION. 未经REGAL-BELOIT CORPORATION书面授权, 不得泄露、复制、传播或作其他用途。—版权所有		

REGAL-BELOIT CORPORATION	
名称	OUTLINE
图幅	C
图号	9208F2
比例	NONE
页号	1

4

3

2

1