

# PRODUCT INFORMATION PACKET



Model No: 733A  
Catalog No: 733A  
1/2 HP Unit Heater Motor, 1140 RPM, 115/208-230 Volts, 48 Frame, TEAO  
Unit Heater Motors



Regal and Century are trademarks of Regal Beloit Corporation or one of its affiliated companies.  
©2021 Regal Beloit Corporation, All Rights Reserved. MC017097E





**Nameplate Specifications**

Output HP	1/2 Hp	Output KW	0.37 kW
Frequency	60 Hz	Voltage	115/208-230 V
Current	5.6/2.8 A	Speed	1140 rpm
Service Factor	1	Phase	1
Duty	Air Over	Insulation Class	B
Frame	F48Y	Enclosure	Totally Enclosed
Thermal Protection	Automatic	Ambient Temperature	60 °C
UL	Recognized	CSA	Y
CE	N		

**Technical Specifications**

Electrical Type	Permanent Split Capacitor	Starting Method	Across The Line
Poles	6	Rotation	Reversible
Mounting	Resilient Base	Motor Orientation	Any
Drive End Bearing	Ball	Opp Drive End Bearing	Ball
Frame Material	Rolled Steel	Shaft Type	Flat
Overall Length	12.78 in	Frame Length	6.50 in
Shaft Diameter	0.500 in	Shaft Extension	5.03 in
Outline Drawing	733A-S01	Connection Drawing	1011717-001

This is an uncontrolled document once printed or downloaded and is subject to change without notice. Date Created:07/12/2021

GENERAL INFORMATION:

SHAFT RUNOUT: .001 [.025] T.I.R. PER INCH LENGTH OF EXTENSION

BEARINGS: BALL

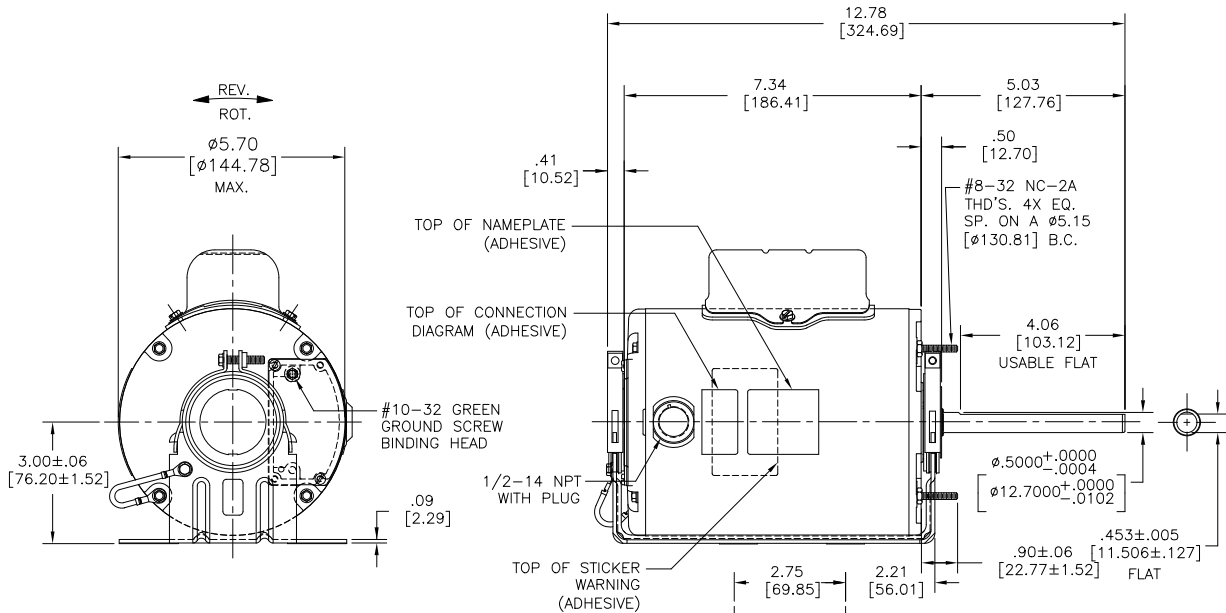
MOUNTING POSITION: ALL ANGLE

ELECTRICAL DATA:

OVERLOAD PROTECTOR: AUTOMATIC RESET (SESATA 7AM 036)

LEADS: NO. 18 GA., .03 [.8] THK. XLP 125°C INSUL.

GROUND LEAD: NO. 18 GA., .03 [.8] THK., GREEN/YELLOW INSUL.



- NOTES:
- SHIP SEPARATE 2503539-043 BAG ASSY.
  - MOTOR TO BE SHIPPED CONNECTED FOR CCWLE ROTATION AND 115 VOLTS.

NAMEPLATE DATA:	EXTERNAL CONNECTION DIAGRAM
MODEL NO.: F48Y59A01	
CUST. P/N: 733A	
HP: 1/2	
ROT.: REVERSIBLE	
RPM: 1140	
TYPE: UF	
FRAME: 48Y	
VOLTS: 115/208-230	
PH: 1	
AMPS: 5.6/2.8	
HZ: 60	
INS.: B	
AMB.: 60° C	
DUTY: AIR OVER	
CAP.: 10 MFD/370 V	
ENCL: ENCLOSED	
UL LOGO	
CSA LOGO	
THERMALLY PROTECTED	<p>614131-345</p> <p>SHOWN FOR CCWLE ROTATION, FOR CWLE INTERCHANGE RED AND BLACK LEADS</p>

PERFORMANCE CURVE NO.	TORQUE @ 1140 RPM (25°C)	APPROVED SAMPLE	UL COMPONENT				CSA	
			FILE #	CCN #	FILE #	CLASS #		
C32632	34.6 OZ. FT.	0600700A	E46412	PRGY2	LR43341	4211-01		

GREEN/YELLOW (GROUND)	CONNECTED TO BASE	#10 EYELET
RED	CONNECTED TO CAPACITOR	.25 [6.35] FLAG
RED	CONNECTED TO CAPACITOR	.25 [6.35] FLAG
YELLOW	5.0/6.0 [127/152]	.25 [6.35] FLAG
BLACK	5.0/6.0 [127/152]	.25 [6.35] FLAG
ORANGE	5.0/6.0 [127/152]	.25 [6.35] FLAG
WHITE	5.0/6.0 [127/152]	.25 [6.35] FLAG
RED	5.0/6.0 [127/152]	.25 [6.35] FLAG
BROWN	5.0/6.0 [127/152]	.25 [6.35] FLAG
YELLOW/BLACK	5.0/6.0 [127/152]	.25 [6.35] FLAG
COLOR	LENGTH	TERMINAL OR STRIP LENGTH

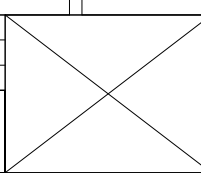
REGAL-BELOIT CORPORATION (RBC) PROVIDES TECHNICAL ASSISTANCE TO OUR CUSTOMERS IN SEVERAL AREAS. SINCE RBC DOES NOT RECEIVE ALL DATA CONCERNING THE USE AND APPLICATION OF THE MOTOR, THE SUITABILITY OF THE MOTOR FOR THE APPLICATION MUST BE DETERMINED BY THE CUSTOMER.

DIMENSIONS WITHOUT TOLERANCES ARE FOR REFERENCE ONLY.

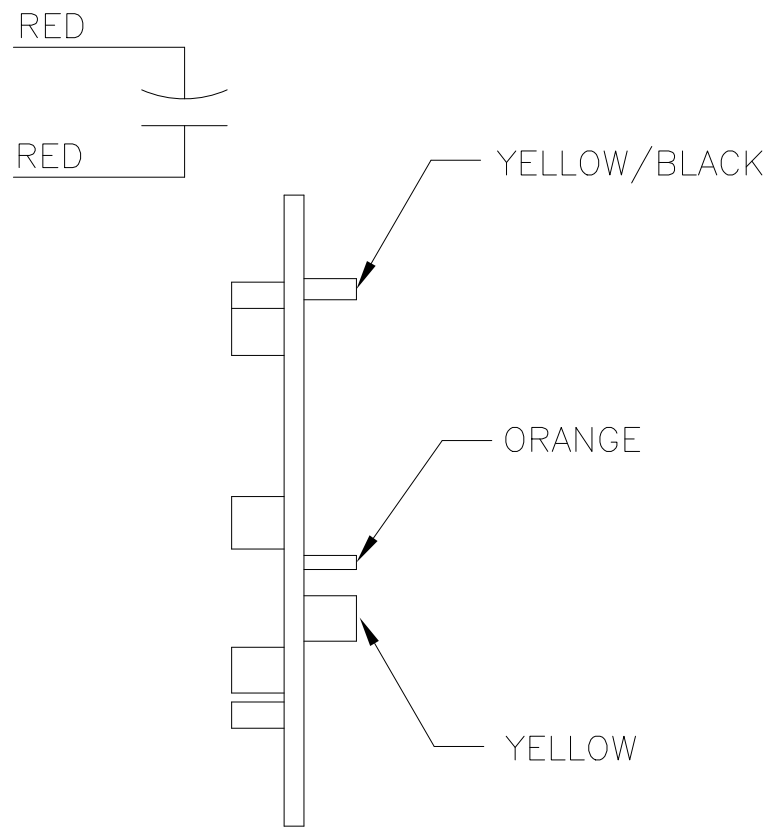
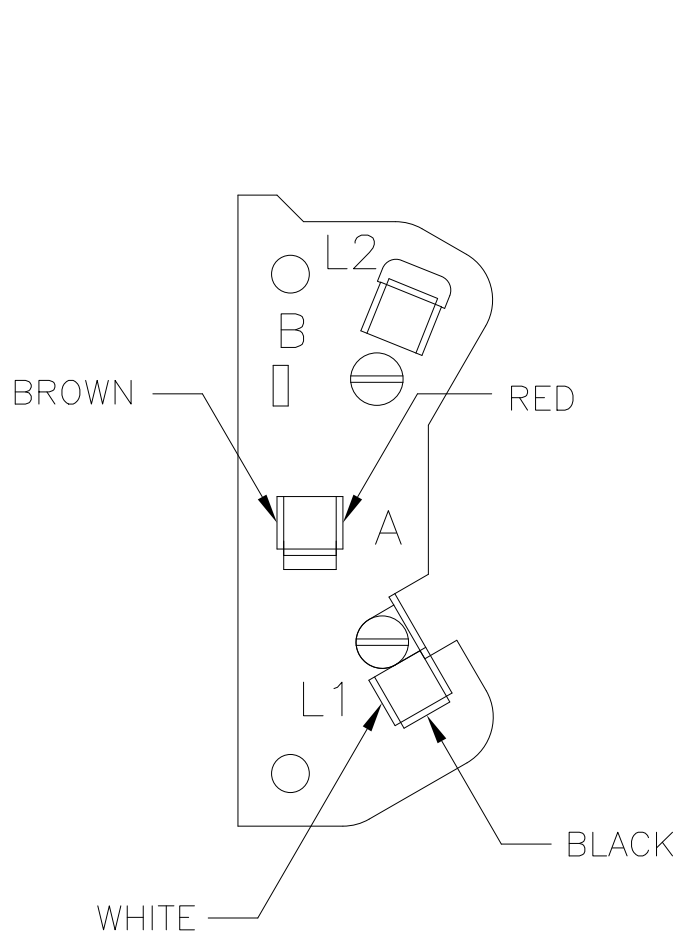
ENCLOSURE	MAIN FRAME - OLE	END FRAME - OLE	MAIN FRAME - LE	END FRAME - LE
	ENCLOSED	ENCLOSED	ENCLOSED	ENCLOSED

CUSTOMER	DISTRIBUTION SERVICE



DRAWING REVISION	REVISION BY	DATE
N	J. RUPERT	07-07-2021
ECO	APPROVED BY	DATE
NMR-0209480	J. RUPERT	07-07-2021
ECO DESCRIPTION		
REVISED FOR UP ISSUE		



DRAWN BY:	DATE:	DESCRIPTION:
CASSIE.NI	01-11-2007	MODEL-RFHP-48FR OUTLINE
APPROVED BY:	DATE:	
TR	02-25-2008	
REFERENCE:	MATERIAL:	PROCESS/FINISH:
THIRD ANGLE PROJECTION	SIZE DWG NO	SHEET
	C 733A	1



115 V

DRAWING REVISION D	REVISION BY J. RUPERT	DATE 06-02-2021	TOLERANCES UNLESS OTHERWISE SPECIFIED	DRAWN BY: AJB	 <b>Regal Beloit America, Inc.</b>																						
ECO ECR-0209979	APPROVED BY J. RUPERT	DATE 06-02-2021	<table border="1"> <thead> <tr> <th>DEC.</th> <th>INCH</th> <th>mm</th> <th>ANGLE</th> </tr> </thead> <tbody> <tr> <td>.X</td> <td>±0.1</td> <td>[±2.5]</td> <td>±0.5°</td> </tr> <tr> <td>.XX</td> <td>±0.02</td> <td>[±0.51]</td> <td></td> </tr> <tr> <td>.XXX</td> <td>±0.005</td> <td>[±0.127]</td> <td></td> </tr> <tr> <td>.XXXX</td> <td>±0.0005</td> <td>[±0.0127]</td> <td></td> </tr> </tbody> </table>	DEC.				INCH	mm	ANGLE	.X	±0.1	[±2.5]	±0.5°	.XX	±0.02	[±0.51]		.XXX	±0.005	[±0.127]		.XXXX	±0.0005	[±0.0127]		DATE: 11-07-2007
DEC.	INCH	mm	ANGLE																								
.X	±0.1	[±2.5]	±0.5°																								
.XX	±0.02	[±0.51]																									
.XXX	±0.005	[±0.127]																									
.XXXX	±0.0005	[±0.0127]																									
ECO DESCRIPTION REVISED FOR UP ISSUE			REMOVE BURRS & BREAK SHARP EDGES .003/.015 [.076/.381] X 45° CORNER FILLETS R.02 [.51] MACHINED SURFACES	APPROVED BY: KB	MATERIAL	PROCESS/FINISH																					
<small>COPYRIGHT REGAL BELOIT AMERICA, INC. ALL RIGHTS RESERVED. PROPRIETARY AND CONFIDENTIAL INFORMATION - THIS DOCUMENT IS THE PROPERTY OF REGAL BELOIT AMERICA, INC. ("OWNER") AND CONTAINS OWNER'S PROPRIETARY INFORMATION. ANY PERSON, CORPORATION OR OTHER FIRM RECEIVING IT IS DEEMED, BY RECEIVING IT, TO AGREE THAT IT, AND/OR ANY PART OF IT, SHALL NOT BE DISCLOSED TO ANY PERSON, CORPORATION OR OTHER ENTITY, DUPLICATED, AND/OR USED, EXCEPT AS EXPRESSLY APPROVED IN WRITING IN ADVANCE BY OWNER. THIS DOCUMENT SHALL BE RETURNED TO OWNER UPON REQUEST. IT MAY BE SUBJECT TO CERTAIN RESTRICTIONS UNDER APPLICABLE EXPORT CONTROL LAWS AND REGULATIONS.</small>			<small>mm SHOWN IN [BRACKETS]</small>	DATE: 11-07-2007	SIZE A	DWG NO 1011717	SHEET 1																				
				THIRD ANGLE PROJECTION 	<p style="text-align: center;"><b>4 of 4</b></p>																						