

PRODUCT INFORMATION PACKET



Model No: 6439191260
Catalog No: 6439191260
1/2HP..1800 RPM.56C.TENV.115/230V.1PH.60HZ.15 MIN.NOT.40C.1.15SF.C-FACE.BOAT HOIST.
Boat Hoist Duty Motors



Regal and Leeson are trademarks of Regal Rexnord Corporation or one of its affiliated companies.
©2021 Regal Rexnord Corporation, All Rights Reserved. MC017097E



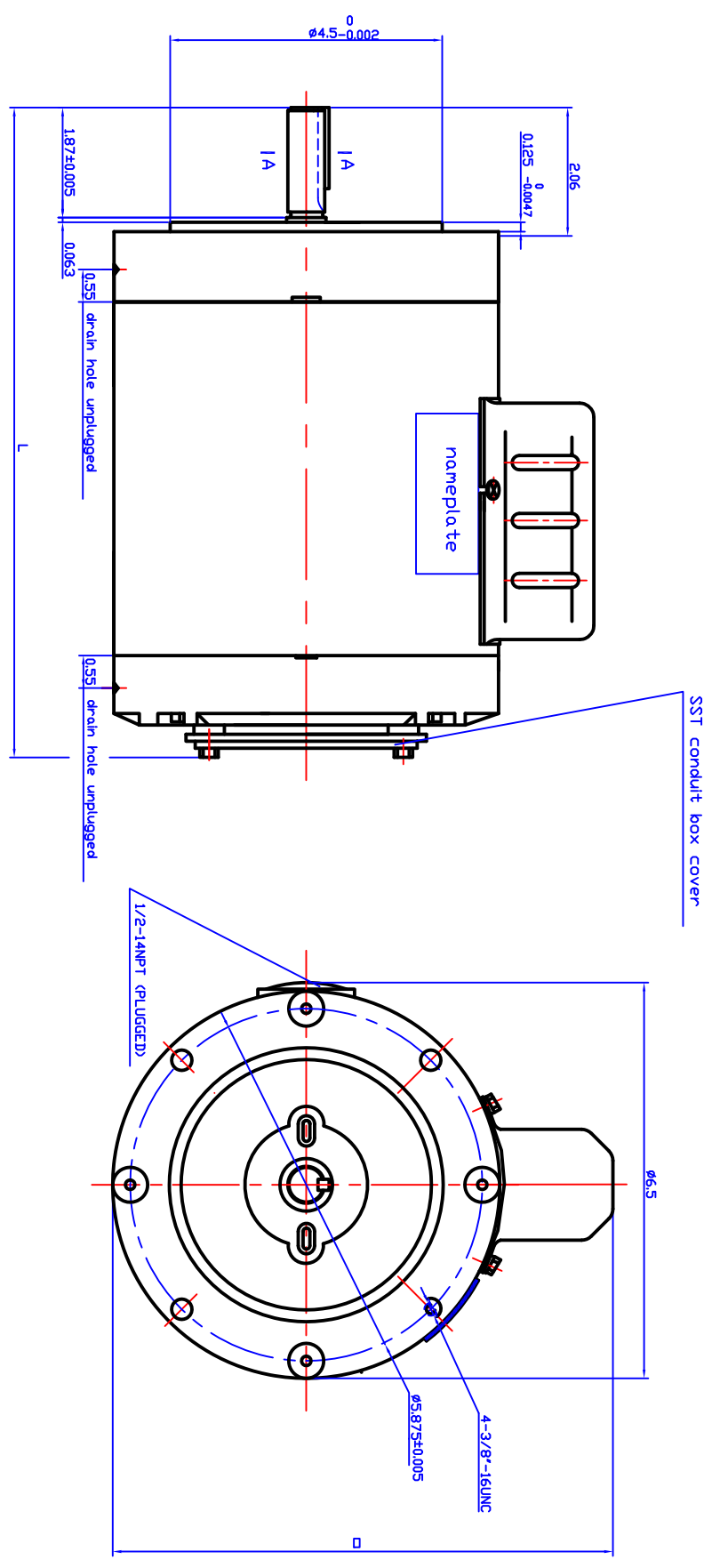
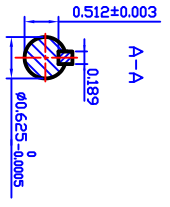


Nameplate Specifications

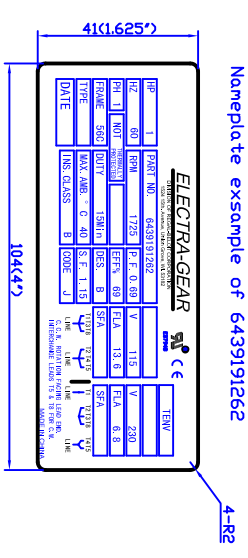
Output HP	0.50 Hp	Output KW	0.37 kW
Frequency	60 Hz	Voltage	115/230 V
Current	8.2/4.1 A	Speed	1725 rpm
Service Factor	1.15	Phase	1
Efficiency	61 %	Power Factor	65
Duty	15 Minute	Insulation Class	B
Design Code	N	KVA Code	L
Frame	56C	Enclosure	Totally Enclosed Non Ventilated
Thermal Protection	No	Ambient Temperature	40 °C
Drive End Bearing Size	6203	Opp Drive End Bearing Size	6203
UL	Recognized	CSA	Y
CE	Y	IP Code	43
Number of Speeds	1		

Technical Specifications

Electrical Type	Capacitor Start Induction Run	Starting Method	Across The Line
Poles	4	Rotation	Selective Counterclockwise
Resistance Main	0 Ohms	Mounting	Round
Motor Orientation	Horizontal	Drive End Bearing	Ball
Opp Drive End Bearing	Ball	Frame Material	Stainless Steel
Shaft Type	NEMA 56	Overall Length	10.50 in
Frame Length	5.00 in	Shaft Diameter	0.625 in
Shaft Extension	1.88 in	Assembly/Box Mounting	F1 ONLY
Outline Drawing	169991.00	Connection Drawing	005005.01



Electra Cat. No.	FRAME	HP	Volt	RPM	Hz	PH	Encl.	S.F	Duty	thermal protector	L	D
6439191260	56C	1/2	115/230	1725	60	1	TENV	1.15		N/A	10.5	8.2
6439191261	56C	3/4	115/230	1725	60	1	TENV	1.15	15Min.	N/A	11.1	8.6
6439191262	56C	1	115/230	1725	60	1	TENV	1.15		N/A	11.7	8.6



- Note:
1. The capacitor leads to be connected using flag terminals.
 2. All the hardwares are using SST.
 3. Drain holes at 6:00.
 4. C flange mounting holes have plugs.

REVISION				TOLERANCES UNLESS OTHERWISE SPECIFIED			
NO.	REV.	BY & DATE	CHK'D.				
DRAWN		TITLE		DRAWING NO.			
APPR.		CUSTOMER		REV.			
SCALE		DATE					
		2009.09.29					
REF.							

THIS DRAWING IN DESIGN AND DETAIL IS OUR PROPERTY AND MUST NOT BE USED EXCEPT IN CONNECTION WITH OUR WORK. ALL RIGHTS OF DESIGN AND INVENTION ARE RESERVED. THIS IS AN ELECTRONICALLY GENERATED DOCUMENT - DO NOT SCALE THIS PRINT.

VIEW FROM OUTSIDE OF MOTOR AT SWITCH END.



LINE LEADS



RBC PROPRIETARY AND CONFIDENTIAL INFORMATION
 This document is the property of REGAL BELOIT CORPORATION ("RBC") including its subsidiaries and divisions and contains proprietary information of RBC. This document is loaned on the express condition that neither it nor the information contained therein shall be disclosed to others without the express written consent of RBC, and that the information shall be used by the recipient only as approved expressly by RBC. This document shall be returned to RBC upon its request. This document may be subject to certain restrictions under U.S. export control laws and regulations.

	ROTATION FACING LEAD END	L1	L2	JOIN
HIGH VOLT	C.C.W.	T1	T4, T5	T2, T3, T8
	C.W.	T1	T4, T8	T2, T3, T5
LOW VOLT	C.C.W.	T1, T3, T8	T2, T4, T5	-----
	C.W.	T1, T3, T5	T2, T4, T8	-----

--	REDRAWN IN SOLIDWORKS	VJB 02/16/11	TOLERANCES UNLESS SPECIFIED		LEESON	ELECTRIC MOTORS GEARMOTORS AND DRIVES	DRAWN ADH 08/06/73	
27	UPDATED TO CURRENT STANDARDS	DBT 05/27/97	DEC	INCHES			CHK	
26	ADDED PAGE 32 (114787) & PAGE 33 (114788)	KAZ 12/20/95	PG	.X ±.1	TITLE EXTERNAL WIRING DIAGRAM TYPE "C" W/O PROTECTOR		APPR JCW 03/09/79	
25	ADDED PAGE 31	KAZ 04/19/95	DL	.XX ±.01	MAT'L DECAL - 004012		SCALE 1:1	
24	ADDED PAGES 29 & 30	KMM 03/30/95	DL	.XXX ±.005	FINISH		REF FIG 2-23 C4A	
23	ADDED PAGE 28	KMM 01/27/95		.XXXX ±.0005	RFP		FMF MGI-2.4B	
NO	REVISION	BY & DATE	CHK	ANG ±1/2°	PREV		PAGE OF	
THIRD ANGLE PROJECTION			RFP			SIZE	DRAWING NO	REV
			NETWORK FILE NAME 00500501			A	005005-01	--



CERTIFICATION DATA SHEET

**1051 CHEYENNE AVE.
GRAFTON, WI 53024
PH. 262-377-8810**

CATALOG #: 6439191260

CONN. DIAGRAM: 005005.01

OUTLINE: 169991.00

MOUNTING: F1 ONLY

WINDING #: QC63417 NR 3 A

TYPICAL MOTOR PERFORMANCE DATA

HP	kW	SYNC. RPM	F.L. RPM	FRAME	ENCLOSURE	KVA CODE	DESIGN
1/2	0.37	1800	1725	56C	TENV	L	N

PH	Hz	VOLTS	AMPS	START TYPE	DUTY	INSL	S.F.	AMB°C
1	60	115/230	8.2/4.1	ACROSS THE LINE	15 MINUTE	B5	1.15	40

FULL LOAD EFF:	61	3/4 LOAD EFF:	64.4	1/2 LOAD EFF:	57	GTD. EFF		ELEC. TYPE	
FULL LOAD PF:	65	3/4 LOAD PF:	49.5	1/2 LOAD PF:	39.4	57.5	CAP START IND RUN		

F.L. TORQUE	LOCKED ROTOR AMPS	L.R. TORQUE	B.D. TORQUE	F.L. RISE°C
24.1 OZ-FT	39 / 19.5	78.1 OZ-FT 324 %	66.9 OZ-FT 278 %	87.7

SOUND PRESSURE @ 3 FT.	SOUND POWER	ROTOR WK^2	MAX. WK^2	SAFE STALL TIME	STARTS / HOUR	APPROX. MOTOR WGT
0 dBA	10 dBA	0 LB-FT^2	0 LB-FT^2	0 SEC.	0	28 LBS.

***** SUPPLEMENTAL INFORMATION *****

DE BRACKET TYPE	ODE BRACKET TYPE	MOUNT TYPE	ORIENTATION	SEVERE DUTY	HAZARDOUS LOCATION	DRIP COVER	SCREENS	PAINT
STANDARD	STANDARD	ROUND	HORIZONTAL	FALSE	NONE	FALSE	NONE	NO PAINT

BEARINGS		GREASE	SHAFT TYPE	SPECIAL DE	SPECIAL ODE	SHAFT MATERIAL	FRAME MATERIAL
DE	ODE						
BALL	BALL	POLYREX EM	T	NONE	NONE	AISI 1045 (C-240)	STAINLESS STEEL
6203	6203						

THERMO-PROTECTORS				THERMISTORS	CONTROL	SPACE HEATERS
THERMOSTATS	PROTECTORS	WDG RTDs	BRG RTDs			
NONE	NOT	NONE	NONE	NONE	FALSE	NONE VOLTS

*
N
O
T
E
S

INVERTER TORQUE: NONE
INV. HP SPEED RANGE: NONE
ENCODER: NONE
NONE NONE
NONE NONE PPR
BRAKE: NONE NONE
NONE P/N NONE
NONE NONE
NONE FT-LB NONE V NONE HZ



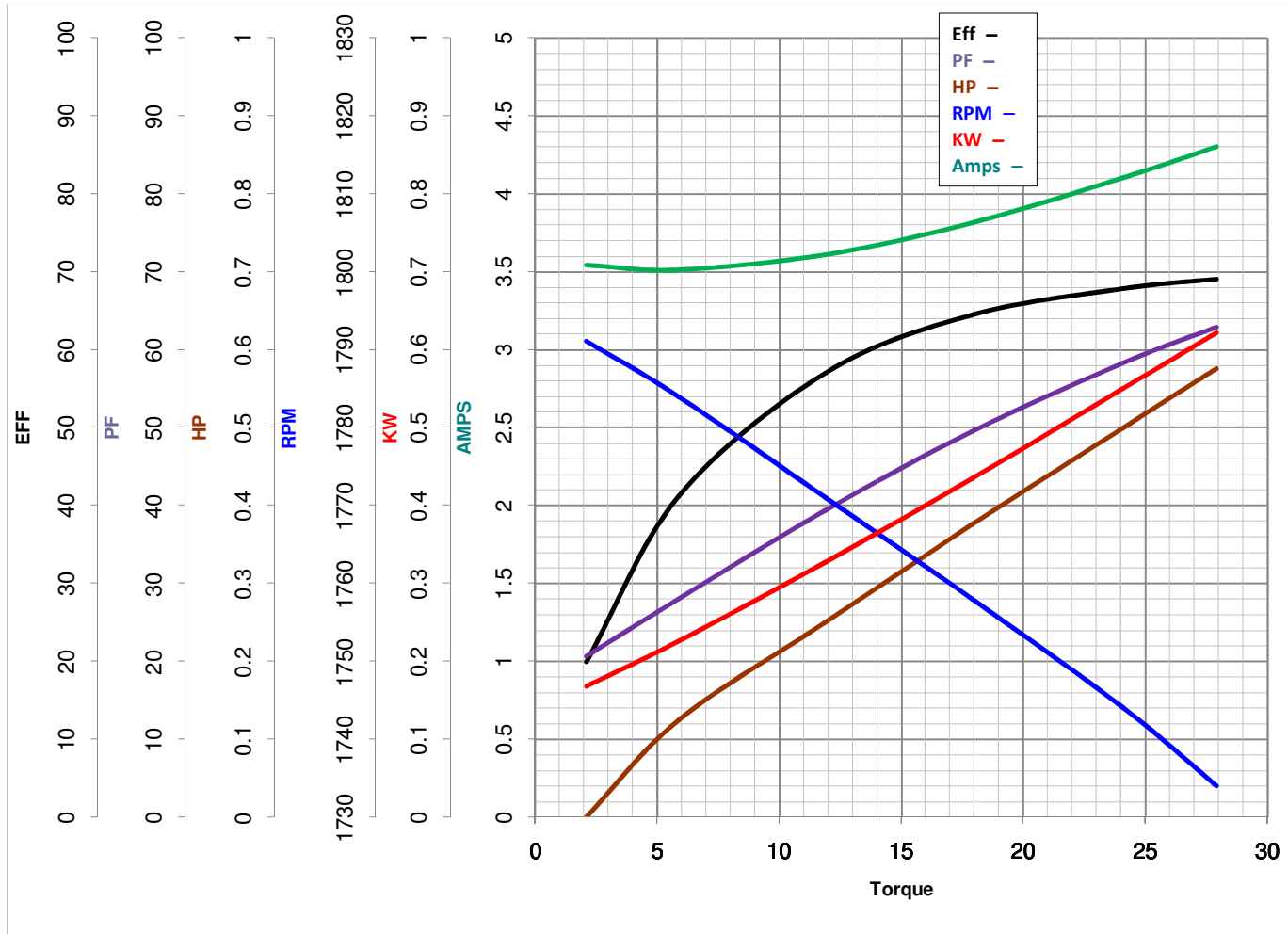
LEESON ELECTRIC CORPORATION
 TYPICAL PERFORMANCE CURVE for AC MOTOR

Model No 6439191260

Curve at 230 Volts HP 0.50 PHASE 1
60 HZ
0.5 HP VOLTS 115/230

Catalog No 6439191260

HZ 60 RPM 1725



Torque in Oz.Ft

FL TORQUE 24.1 Oz.Ft
 BD TORQUE 66.9 Oz.Ft
 LR TORQUE 78.1 Oz.Ft

FL AMPS 8.2/4.1
 PU TORQUE 60.9 Oz.Ft
 LR AMPS 19.52

WINDING QC63417-3

Date 4/10/2018