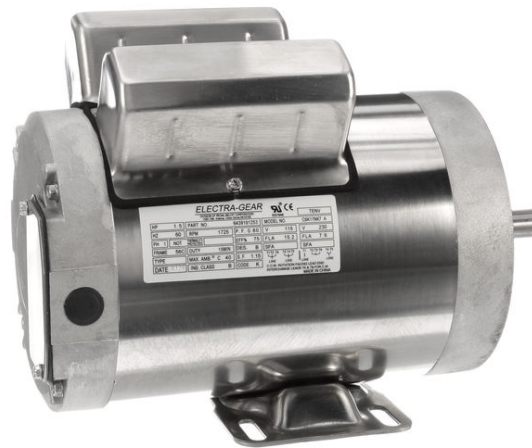


PRODUCT INFORMATION PACKET



Model No: 6439191253
Catalog No: 6439191253
1.50 HP Boat Hoist Duty Motor, 1 phase, 1800 RPM, 115/230 V, 56C Frame, TENV
Boat Hoist Duty Motors



Regal and Leeson are trademarks of Regal Rexnord Corporation or one of its affiliated companies.
©2021 Regal Rexnord Corporation, All Rights Reserved. MC017097E



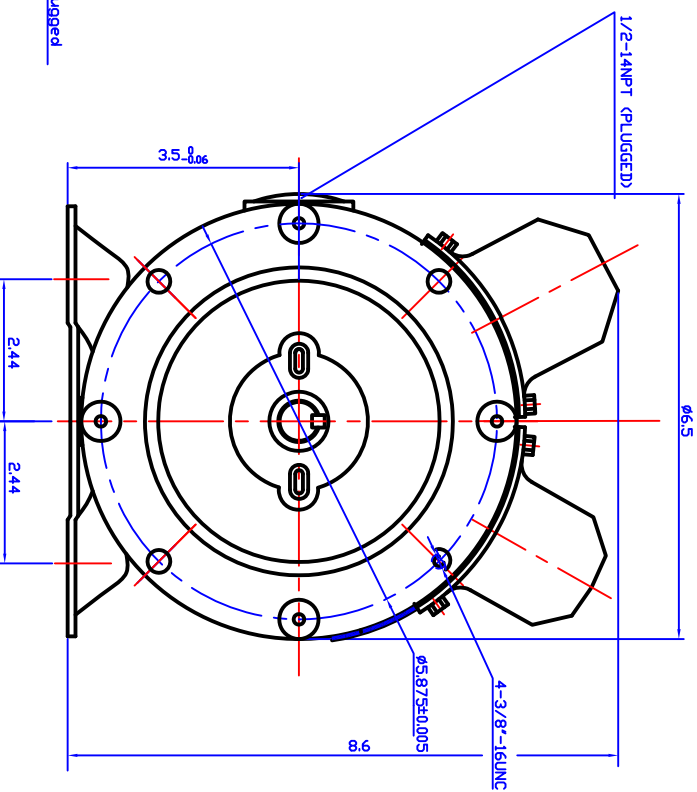
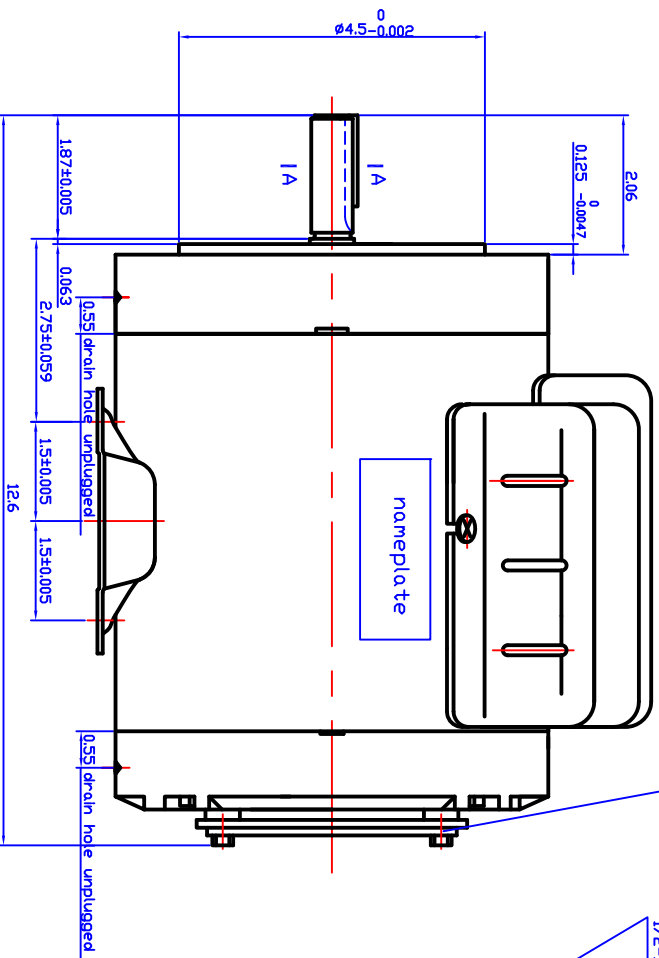
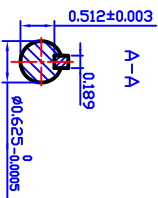


Nameplate Specifications

Output HP	1.50 Hp	Output KW	1.1 kW
Frequency	60 Hz	Voltage	115/230 V
Current	15.2/7.6 A	Speed	1725 rpm
Service Factor	1.15	Phase	1
Efficiency	75 %	Power Factor	80
Duty	15 Minute	Insulation Class	B
Design Code	N	KVA Code	K
Frame	56C	Enclosure	Totally Enclosed Non Ventilated
Thermal Protection	No	Ambient Temperature	40 °C
Drive End Bearing Size	6203	Opp Drive End Bearing Size	6203
UL	Recognized	CSA	Y
CE	Y	IP Code	43
Number of Speeds	1		

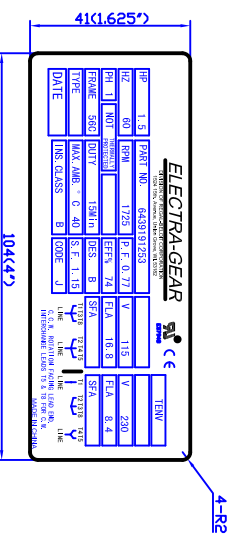
Technical Specifications

Electrical Type	Capacitor Start Capacitor Run	Starting Method	Across The Line
Poles	4	Rotation	Selective Counterclockwise
Resistance Main	0 Ohms	Mounting	Rigid Base
Motor Orientation	Horizontal	Drive End Bearing	Ball
Opp Drive End Bearing	Ball	Frame Material	Stainless Steel
Shaft Type	NEMA 56	Overall Length	12.60 in
Frame Length	7.26 in	Shaft Diameter	0.625 in
Shaft Extension	1.88 in	Assembly/Box Mounting	F1 ONLY
Connection Drawing	005054.01	Outline Drawing	169994.00



- Note:
1. The capacitor leads to be connected using flag terminals.
 2. All the hardwares are using SST..
 3. Drain hole at 6:00.
 4. C flange mounting holes have plugs.

Electra Cat. No.	FRAME	HP	Volt	RPM	Hz	PH	Encl.	S.F.	Duty	thermal protector
6439191253	56C	1.5	115/230	1725	60	1	TENV	1.15	15min.	N/A

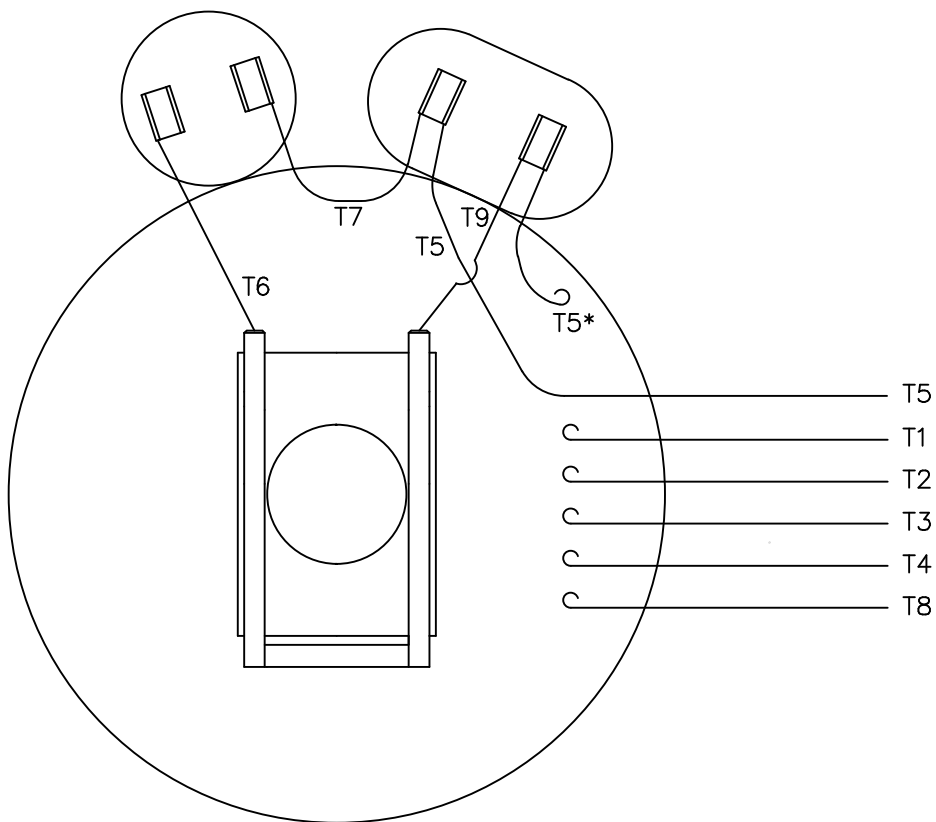


TOLERANCES UNLESS OTHERWISE SPECIFIED		DRAWN	
		APPR.	
		R.F.P.	
		SCALE	
		REF.	
		FWF	

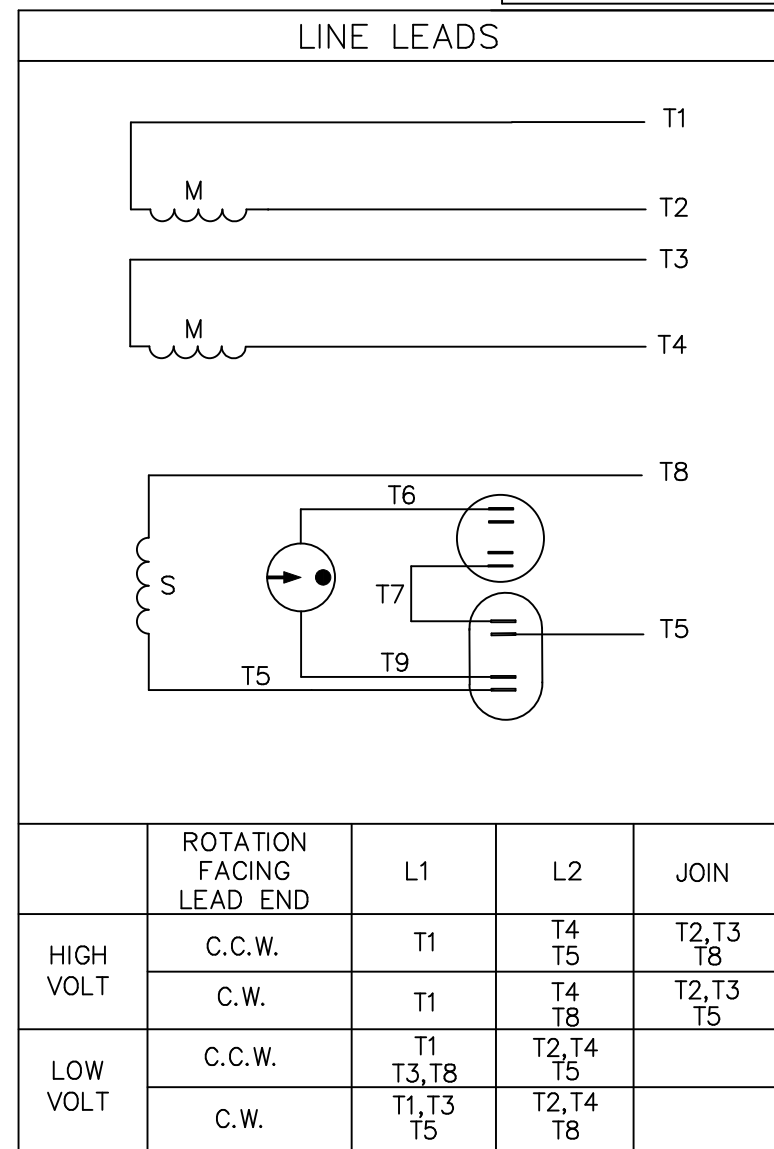
REV	BY & DATE	CHK'D.	TITLE
			6439191253 outline drawing
			CUSTOMER
			DATE 2009.09.29
			REV.
			DRAWING NO. 169994.00

THIS DRAWING IN DESIGN AND DETAIL IS OUR PROPERTY AND MUST NOT BE USED EXCEPT IN CONNECTION WITH OUR WORK ALL RIGHTS OF DESIGN AND INVENTION ARE RESERVED THIS IS AN ELECTRONICALLY GENERATED DOCUMENT - DO NOT SCALE THIS PRINT

VIEW FROM OUTSIDE OF MOTOR AT SWITCH END.



* THIS LEAD MAY BE WHITE



NO.	REVISION	BY & DATE	CHK	TOLERANCES UNLESS SPECIFIED	
				DEC.	INCHES
				.X	±.1
11	ALTERNATE T5 LEAD MARKING WAS RED	RLW 8/6/02	.XX	±.01	
10	ADDED ALTERNATE T5 LEAD MARKING	RLW 6/5/02	KH	.XXX	±.005
09	REDRAWN TO CAD	DBT 05/28/97		.XXXX	±.0005
				ANG	±1/2°

LEESON	ELECTRIC MOTORS GEARMOTORS AND DRIVES	DRAWN	JRW 09/27/74
		CHK	TEM
TITLE EXT. WIRING DIAGRAM TYPE "K" W/O PROTECTOR		APPD	10/11/74
		SCALE	1=1
MAT'L. DECAL-004012		REF	A-005053
		FMF	W-K6343
FINISH		PREV	

THIS DRAWING IN DESIGN AND DETAIL IS OUR PROPERTY AND MUST NOT BE USED EXCEPT IN CONNECTION WITH OUR WORK ALL RIGHTS OF DESIGN AND INVENTION ARE RESERVED THIS IS AN ELECTRONICALLY GENERATED DOCUMENT - DO NOT SCALE THIS PRINT	RFP	CAD FILE	00505401	SIZE	DRAWING NO.	REV.
	DIST	BRF-NLV		A	005054-01	11



CERTIFICATION DATA SHEET

**1051 CHEYENNE AVE.
GRAFTON, WI 53024
PH. 262-377-8810**

CATALOG #: 6439191253

CONN. DIAGRAM: 005054.01

OUTLINE: 169994.00

MOUNTING: F1 ONLY

WINDING #: QK63411 NR 3 A

TYPICAL MOTOR PERFORMANCE DATA

HP	kW	SYNC. RPM	F.L. RPM	FRAME	ENCLOSURE	KVA CODE	DESIGN
1 1/2	1.12	1800	1725	56C	TENV	K	N

PH	Hz	VOLTS	AMPS	START TYPE	DUTY	INSL	S.F.	AMB°C
1	60	115/230	15.2/7.6	ACROSS THE LINE	15 MINUTE	B5	1.15	40

FULL LOAD EFF:	75	3/4 LOAD EFF:	79.6	1/2 LOAD EFF:	74.2	GTD. EFF	ELEC. TYPE
FULL LOAD PF:	80	3/4 LOAD PF:	68.7	1/2 LOAD PF:	56.1	70	CAP START CAP RUN

F.L. TORQUE	LOCKED ROTOR AMPS	L.R. TORQUE	B.D. TORQUE	F.L. RISE°C
71.8 OZ-FT	121.6 / 60.8	223 OZ-FT 311 %	223.2 OZ-FT 311 %	92.9

SOUND PRESSURE @ 3 FT.	SOUND POWER	ROTOR WK^2	MAX. WK^2	SAFE STALL TIME	STARTS / HOUR	APPROX. MOTOR WGT
0 dBA	10 dBA	0 LB-FT^2	0 LB-FT^2	0 SEC.	0	40 LBS.

***** SUPPLEMENTAL INFORMATION *****

DE BRACKET TYPE	ODE BRACKET TYPE	MOUNT TYPE	ORIENTATION	SEVERE DUTY	HAZARDOUS LOCATION	DRIP COVER	SCREENS	PAINT
STANDARD	STANDARD	RIGID	HORIZONTAL	FALSE	NONE	FALSE	NONE	NO PAINT

BEARINGS		GREASE	SHAFT TYPE	SPECIAL DE	SPECIAL ODE	SHAFT MATERIAL	FRAME MATERIAL
DE	ODE						
BALL	BALL	POLYREX EM	T	NONE	NONE	AISI 1045 (C-240)	STAINLESS STEEL
6203	6203						

THERMO-PROTECTORS				THERMISTORS	CONTROL	SPACE HEATERS
THERMOSTATS	PROTECTORS	WDG RTDs	BRG RTDs			
NONE	NOT	NONE	NONE	NONE	FALSE	NONE VOLTS

*
N
O
T
E
S

INVERTER TORQUE: NONE
INV. HP SPEED RANGE: NONE
ENCODER: NONE
NONE NONE
NONE NONE PPR
BRAKE: NONE NONE
NONE P/N NONE
NONE NONE
NONE FT-LB NONE V NONE HZ



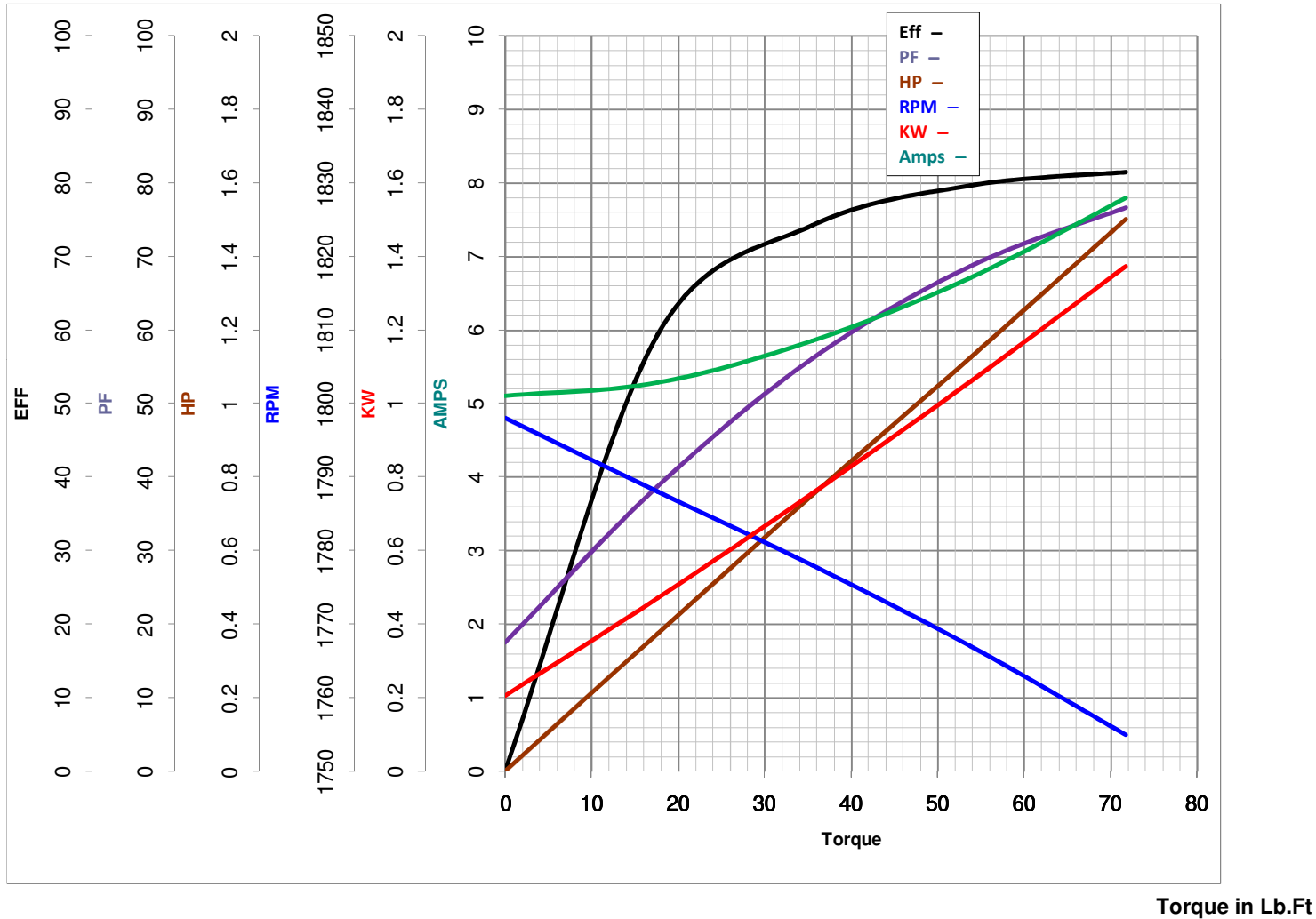
LEESON ELECTRIC CORPORATION
 TYPICAL PERFORMANCE CURVE for AC MOTOR

Model No 6439191253

Curve at 230 Volts HP 1.50 PHASE 1
60 HZ
1.5 HP VOLTS 115/230

Catalog No 6439191253

HZ 60 RPM 1725



FL TORQUE 4.488 Lb.Ft
 BD TORQUE 14.0 Lb.Ft
 LR TORQUE 13.94 Lb.Ft

FL AMPS 15.2/7.6
 PU TORQUE 11.4 Lb.Ft
 LR AMPS 60.8

WINDING QK63411-3

Date 4/10/2018