

PRODUCT INFORMATION PACKET



Model No: 6203E

Catalog No: 6203E

1/3 HP Fan & Blower Motor, 1075 RPM, 5 Speed/PWM, 208-230 Volts, 48 Frame, Semi Enclosed
Fan and Blower Motors



Regal and Genteq are trademarks of Regal Rexnord Corporation or one of its affiliated companies.
©2021 Regal Rexnord Corporation, All Rights Reserved. MC017097E





Nameplate Specifications

Output HP	1/3 Hp	Output KW	0.25 kW
Frequency	60 Hz	Voltage	208-230 V
Current	2.8 A	Speed	1075 rpm
Service Factor	1	Phase	1
Duty	Continuous Air Over	Insulation Class	B
Frame	48	Enclosure	Open Air Over
Thermal Protection	No	Ambient Temperature	40 °C
UL	Recognized	CSA	N
CE	N	Number of Speeds	5

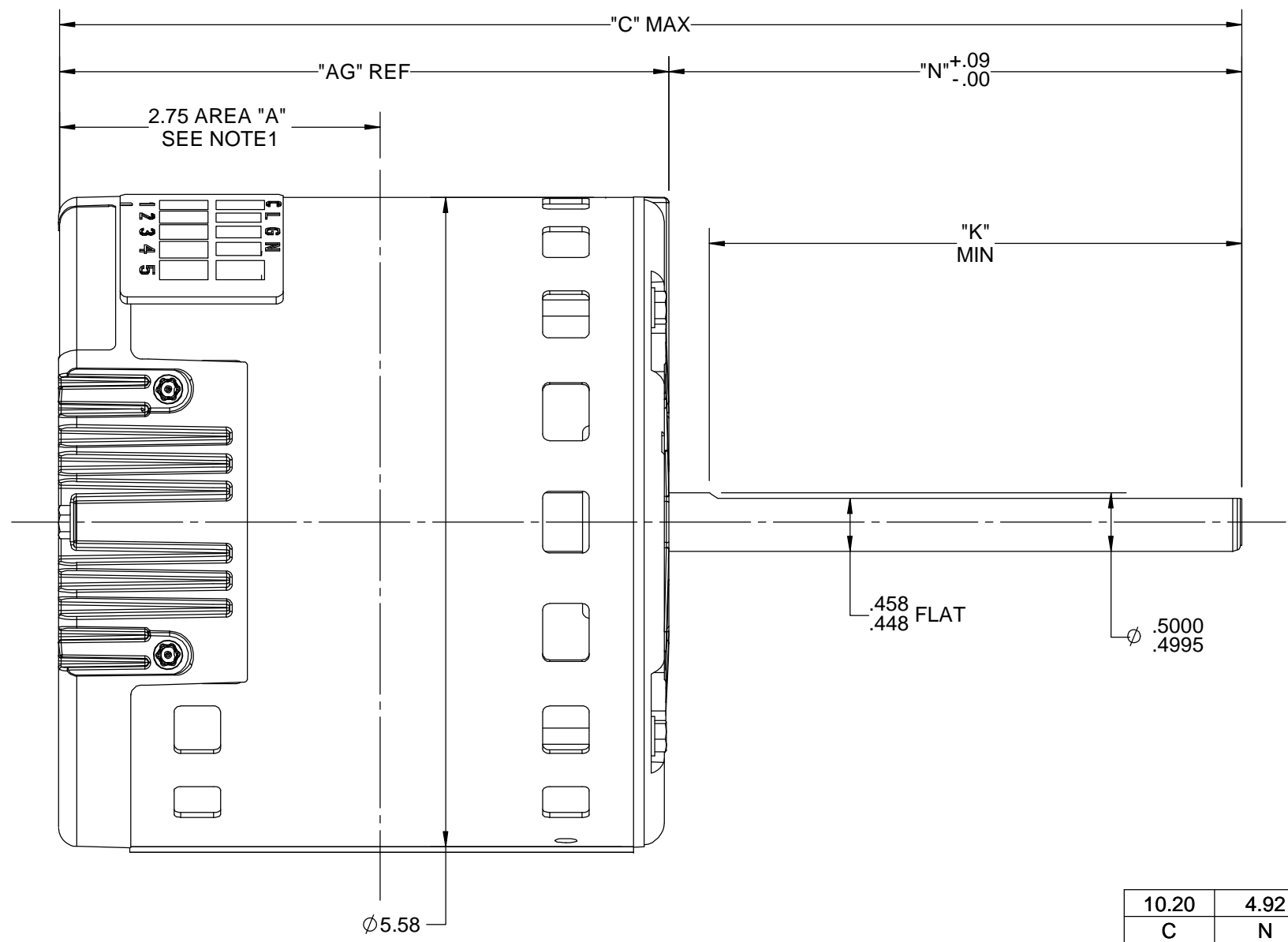
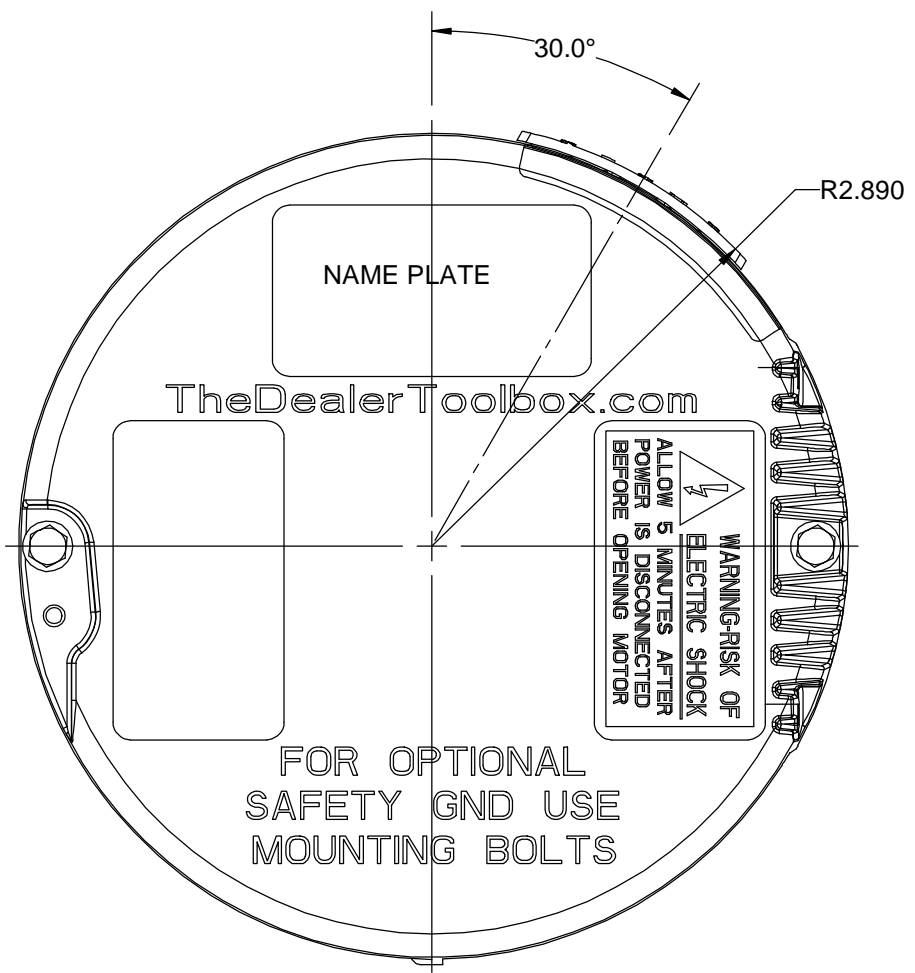
Technical Specifications

Electrical Type	Electronically Commutated Motor	Poles	12
Rotation	Reversible	Mounting	Round
Motor Orientation	Horizontal	Drive End Bearing	Ball
Opp Drive End Bearing	Ball	Frame Material	Rolled Steel
Shaft Type	Flat	Overall Length	10.20 in
Frame Length	4.32 in	Shaft Diameter	0.500 in
Shaft Extension	4.92 in		
Outline Drawing	5SME39DXL446	Connection Drawing	N/R

This is an uncontrolled document once printed or downloaded and is subject to change without notice. Date Created:10/11/2021

CONNECTOR ID	DESCRIPTION
C	SIGNAL COMMON
L	LINE 1
G	GROUND
N	LINE 2
1	LOW (PWM)
2	MED-LOW
3	MED
4	MED-HIGH
5	HIGH

NAMEPLATE DATA	
MODEL	5SME39DXL446
CUSTOMER	DEF PUR
CPN/STOCK NO.	STOCK NO 6203E
H.P.	1/3
RPM	1075
VOLTS	208-230
HZ	60/50
AMPS	2.8
ROTATION	CCW/CW
MTG POSITION	HOR/VSD

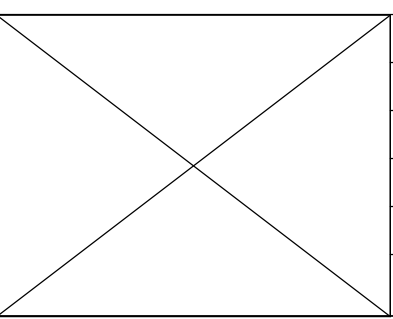


B
A

B
A

- NOTES:
 1. BELLY BAND MUST NOT BE PLACED WITHIN AREA "A".
 2. APPROXIMATE WEIGHT IS 9.2 LBS.

DRAWING REVISION E	REVISION BY KEP	DATE 12/18/2017
ECO ECO-0129397	APPROVED BY ANDREA	DATE 12/18/2017
ECO DESCRIPTION UPDATED AS PER ECO REQUEST		
<small>COPYRIGHT REGAL BELOIT AMERICA, INC. ALL RIGHTS RESERVED. PROPRIETARY AND CONFIDENTIAL INFORMATION - THIS DOCUMENT IS THE PROPERTY OF REGAL BELOIT AMERICA, INC. ("OWNER") AND CONTAINS OWNER'S PROPRIETARY INFORMATION. ANY PERSON, CORPORATION OR OTHER FIRM RECEIVING IT IS DEEMED, BY RECEIVING IT, TO AGREE THAT IT, AND/OR ANY PART OF IT, SHALL NOT BE DISCLOSED TO ANY PERSON, CORPORATION OR OTHER ENTITY, DUPLICATED, AND/OR USED, EXCEPT AS EXPRESSLY APPROVED IN WRITING IN ADVANCE BY OWNER. THIS DOCUMENT SHALL BE RETURNED TO OWNER UPON REQUEST. IT MAY BE SUBJECT TO CERTAIN RESTRICTIONS UNDER APPLICABLE EXPORT CONTROL LAWS AND REGULATIONS.</small>		



DRAWN BY KEP
DATE 12/28/2012
APPROVED BY MANZ
DATE 12/28/2012
REFERENCE
THIRD ANGLE PROJECTION

Regal Beloit America, Inc.			
DESCRIPTION OUTLINE 1/3HP 208-230 VOLTS			
MATERIAL		PROCESS/FINISH	
SIZE B	DRAWING NUMBER 5SME39DXL446	SHEET 1 OF 1	

10.20	4.92	4.50	5.275
C	N	K	AG