

PRODUCT INFORMATION PACKET



Model No: 614
Catalog No: 614
1/10 HP Refrigeration Motor, 1550 RPM, 115/230 Volts, 42 Frame, OAO
Refrigeration Motors



Regal and Century are trademarks of Regal Rexnord Corporation or one of its affiliated companies.
©2021 Regal Rexnord Corporation, All Rights Reserved. MC017097E





Nameplate Specifications

| | | | |
|--------------------|---------------------|---------------------|---------------|
| Output HP | 1/10 Hp | Output KW | 0.07 kW |
| Frequency | 60 Hz | Voltage | 115/230 V |
| Current | 4.4/2.2 A | Speed | 1550 rpm |
| Service Factor | 1 | Phase | 1 |
| Duty | Continuous Air Over | Insulation Class | A |
| Frame | 42 | Enclosure | Open Air Over |
| Thermal Protection | Thermally Protected | Ambient Temperature | 40 °C |
| UL | Recognized | CSA | Y |
| CE | N | Number of Speeds | 1 |

Technical Specifications

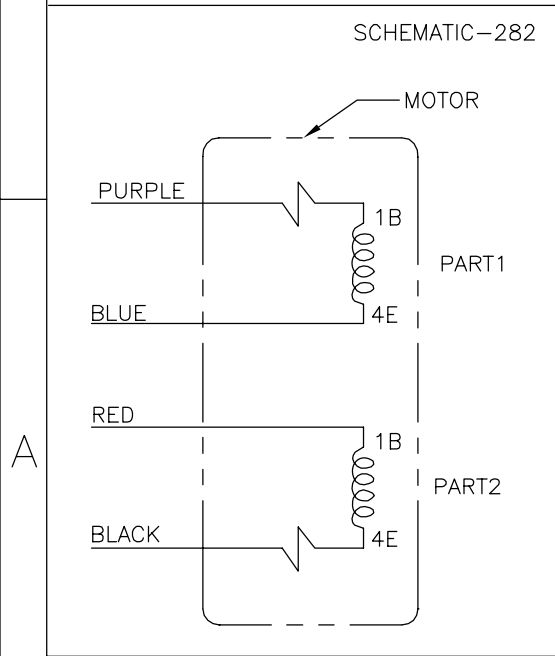
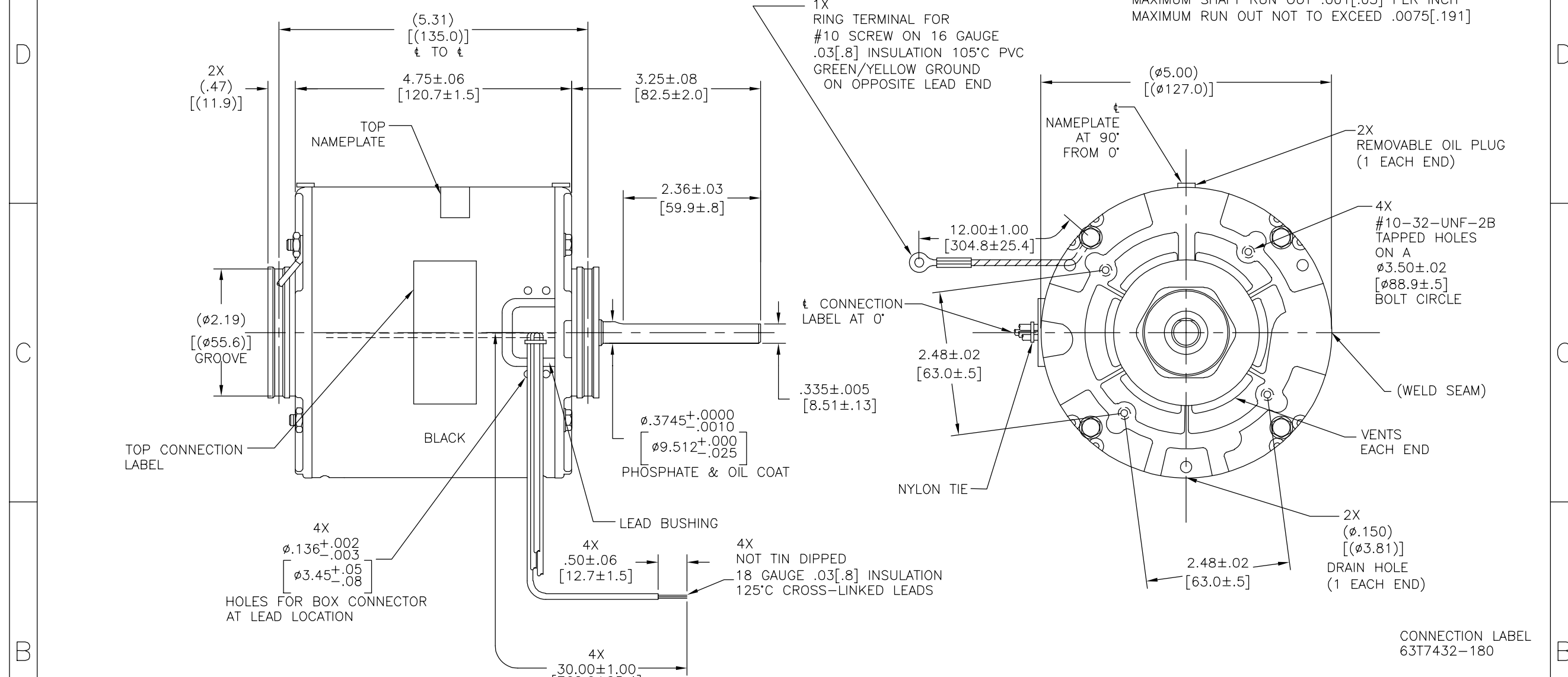
| | | | |
|-------------------|-----------------|-----------------------|---------------------|
| Electrical Type | Shaded Pole | Starting Method | Across The Line |
| Poles | 4 | Rotation | Clockwise Shaft End |
| Mounting | Resilient Rings | Motor Orientation | Horizontal |
| Drive End Bearing | Sleeve | Opp Drive End Bearing | Sleeve |
| Frame Material | Rolled Steel | Shaft Type | Flat |
| Overall Length | 8.47 in | Frame Length | 4.17 in |
| Shaft Diameter | 0.375 in | Shaft Extension | 3.25 in |
| Outline Drawing | DA2F7077-S01 | | |

This is an uncontrolled document once printed or downloaded and is subject to change without notice. Date Created:10/07/2021

CUSTOMER IS SOLELY RESPONSIBLE FOR MOTOR PERFORMANCE AND SUITABILITY IN APPLICATIONS FOR CUSTOMER'S USE

| | | | | | |
|-----|---------|---------|------------|---------|------------|
| REV | ECO | REV BY | DATE | APPD | DATE |
| K | 0029000 | I.ORTIZ | 10-16-2012 | M.AVILA | 10-16-2012 |

ENDPLAY .005[0.13]MINIMUM-.040[1.02]MAXIMUM
 MAXIMUM SHAFT RUN OUT .001[.03] PER INCH
 MAXIMUM RUN OUT NOT TO EXCEED .0075[.191]



| COLOR CODE | |
|------------|---|
| 115 V | PURPLE & RED TO LINE BLUE & BLACK TO LINE |
| 230 V | PURPLE TO ONE LINE BLACK TO OTHER LINE RED & BLUE TOGETHER & INSULATION |

| | |
|---|--|
| GEOMETRIC CHARACTERISTICS & SYMBOLS □ FLATNESS — STRAIGHTNESS ∠ ANGULARITY ⊥ PERPENDICULARITY (SQUARENESS) ∥ PARALLELISM ○ ROUNDNESS (CIRCULARITY) ∅ CYLINDRICITY △ PROFILE OF ANY SURFACE ∩ PROFILE OF ANY LINE ∠ RUNOUT ⊕ TRUE POSITION ⊙ CONCENTRICITY = SYMMETRY ASME Y14.5M 1994 | UNLESS OTHERWISE SPECIFIED DIM. TOLERANCES ARE AS FOLLOWS: INCH X XX XXX XXXX ±.1 ±.02 ±.005 ±.0005 mm ±0.5 ±0.13 ±0.013 ANG. ±.50 DEG REMOVE BURRS & BREAK SHARP EDGES: INCH .003-.015 mm 0.1-0.4 CORNER FILLETS TO: INCH .020 mm 0.5 MACHINE SURFACES: INCH 125 mm 3.2 |
|---|--|

| | | |
|--|---------------------|--------------|
| DR BY: | DLC | 10-21-1998 |
| APPD: | DRB | 10-21-1998 |
| THIRD ANGLE PROJECTION | EDS DATE 11-11-2011 | FORMAT REV H |
| CONFIDENTIAL: THIS DRAWING AND ITS INFORMATION ARE THE EXCLUSIVE AND CONFIDENTIAL PROPERTY OF REGAL-BELOIT CORPORATION AND ARE NOT TO BE DISCLOSED, DUPLICATED, DISTRIBUTED OR OTHERWISE USED WITHOUT THE WRITTEN CONSENT OF REGAL-BELOIT CORPORATION. -ALL RIGHTS RESERVED. | | |

ROT: CWLE-CWSE

NAMEPLATE DATA:

Century Tipp City, OH THERMALLY PROTECTED

SER. DATE & PO# PLT LTR MOD DA2F077N# STK NO 614
 VOLTS 115/230 HZ 60 AMPS 4.4/2.2
 RPM 1550 SP PH1 CAP
 INS CL AMB °C HP 1/10 CONT A.O. ROTATION →
 BRG SLV ASSEMBLED IN MEXICO

| | |
|---|--------------------|
| REGAL REGAL-BELOIT CORPORATION | |
| DESCRIPTION MODEL-RFHP-42FR OUTLINE | |
| SIZE C | DWG NO DA2F7077 |
| SCALE NONE | SHEET 1 |

4

3

2

1

EL CLIENTE ES TOTALMENTE RESPONSABLE POR EL DESEMPEÑO DEL MOTOR Y DE APLICACIONES APROPIADAS PARA SU USO

| | | | | |
|---------------|-----------------------|-------------------|-----------------------|-------------------|
| REVISION: ECO | REVISADO POR: I.ORTIZ | FECHA: 10-16-2012 | APROBADO POR: M.AVILA | FECHA: 10-16-2012 |
| K | 0029000 | | | |

JUEGO AXIAL .005[0.13]MINIMA-.040[1.02]MAXIMO
 OSCILAMIENTO MAXIMO DE LA FLECHA .001[.03]POR PULGADA
 OSCILAMIENTO MAXIMO NO DEBERA EXCEDER .0075[.191]

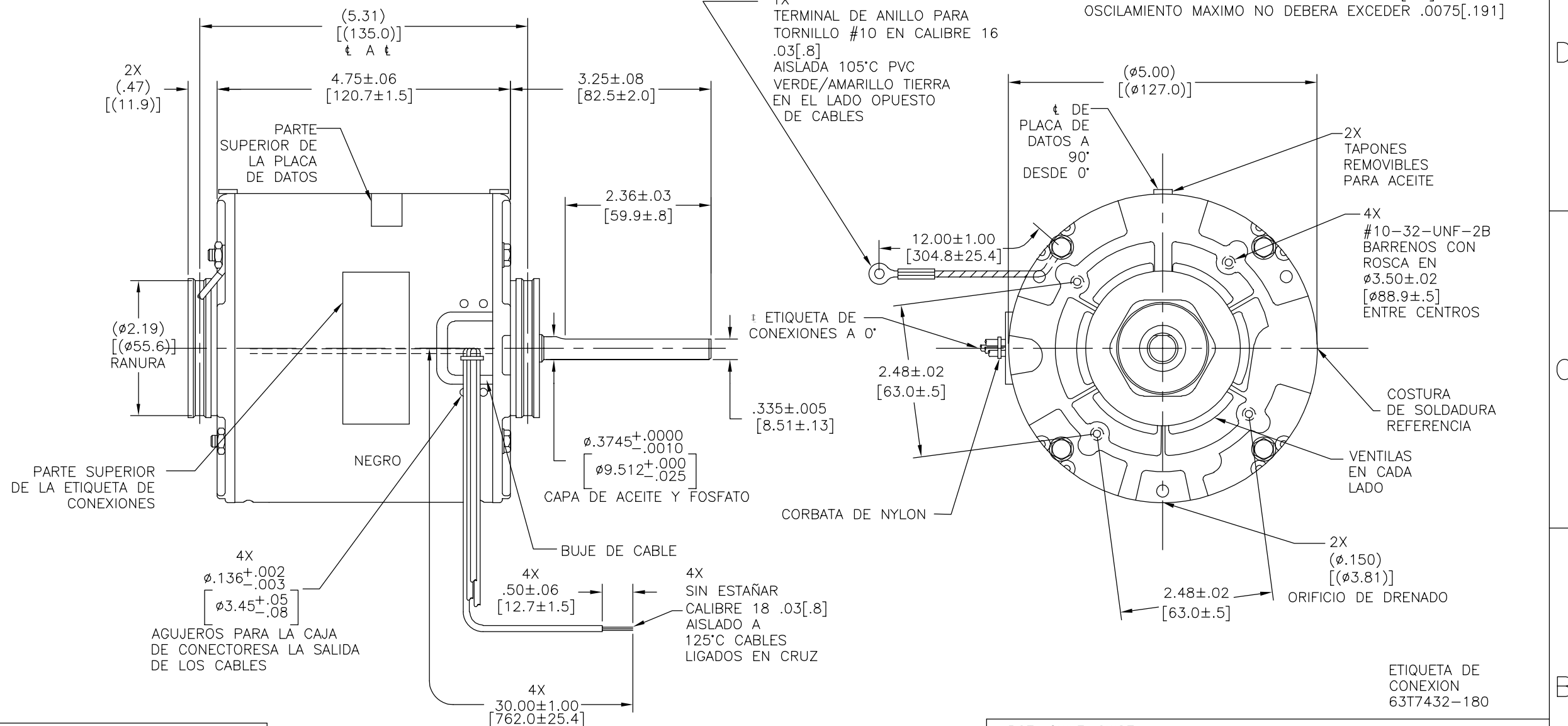
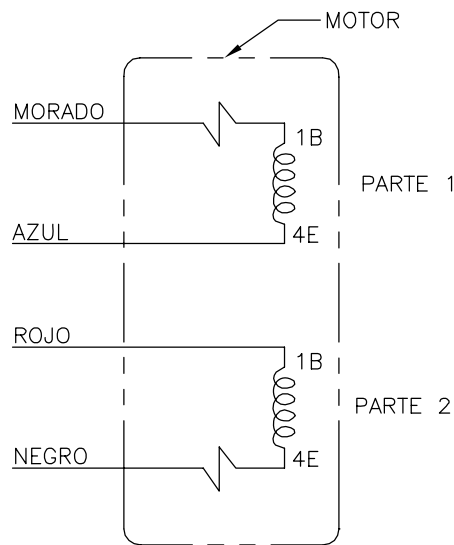


DIAGRAMA-282



| CODIGO DE COLORES | |
|-------------------|---|
| 115 V | MORADO Y ROJO A LA LINEA AZUL Y NEGRO A LA LINEA |
| 230 V | MORADO A UNA LINEA NEGRO A OTRA LINEA ROJO Y AZUL JUNTOS Y AISLADOS |

| CARACTERISTICAS DE GEOMETRIA Y SIMBOLOS | |
|---|---|
| □ PLANICIDAD | A MENOS QUE SE ESPECIFIQUE DE OTRA MANERA, LAS TOLERANCIAS DE LAS DIMS; SON LAS SIGUIENTES: |
| - RECTITUD | PULG ±.1 ±.02 ±.005 ±.0005 |
| ∠ ANGULARIDAD | mm ±0.5 ±0.13 ±0.013 |
| ⊥ PERPENDICULARIDAD (A ESQUADRA) | ANG. ±.50 GRADOS |
| // PARALELISMO | ELIMINAR REBABAS Y ORILLAS FILOSAS DEL BORDE. |
| ○ REDONDEZ (CIRCULARIDAD) | PULG .003-.015 mm 0.1-0.4 |
| ∅ CILINDRICIDAD | FILETEAR ESQUINA: PULG .020 mm 0.5 |
| △ PERFIL DE CUALQUIER SUPERFICIE | MAQUINAR SUPERFICIES |
| ∧ PERFIL DE CUALQUIER LINEA | PULG 125 mm 3.2 |
| ∠ VARIACION | DIMS METRICAS MOSTRADAS [PARENTESIS] |
| ⊕ POSICION REAL | |
| ⊙ CONCENTRICIDAD | |
| = SIMETRIA | |

ELECTRICAMENTE SEGUN MUESTRA S-9786D EXCEPTO ROTACION

ROT: CWLE-CWSE

INFORMACION DE PLACA DE DATOS:

Century Tipp City, OH THERMALLY PROTECTED

SER. DATE & PO# PLT LTR MOD DA2F077N# STK NO 614
 VOLTS 115/230 HZ 60 AMPS 4.4/2.2
 RPM 1550 SP PH1 CAP
 INS CL AMB °C HP 1/10 CONT A.O. ROTATION →
 BRG SLV ASSEMBLED IN MEXICO

| | |
|---|--|
| DIBUJADO POR: DLC | 10-21-1998 |
| APROBADO POR: DRB | 10-21-1998 |
| TERCER ANGULO DE PROYECCION | FECHA EDS: 11-11-2011 REV. FORMATO: H |
| CONFIDENCIAL: ESTE DIBUJO Y SU INFORMACION SON PROPIEDAD DE USO EXCLUSIVO Y CONFIDENCIAL DE REGAL-BELOIT CORPORATION. Y NO DEBERAN SER REVELADOS, DUPLICADOS, DISTRIBUIDOS O USARSE DE OTRA MANERA SIN EL CONSENTIMIENTO ESCRITO DE REGAL-BELOIT CORPORATION. -TODOS LOS DERECHOS RESERVADOS. | |

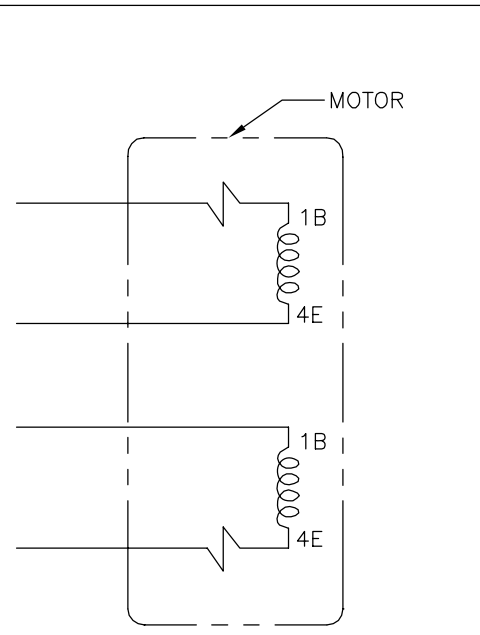
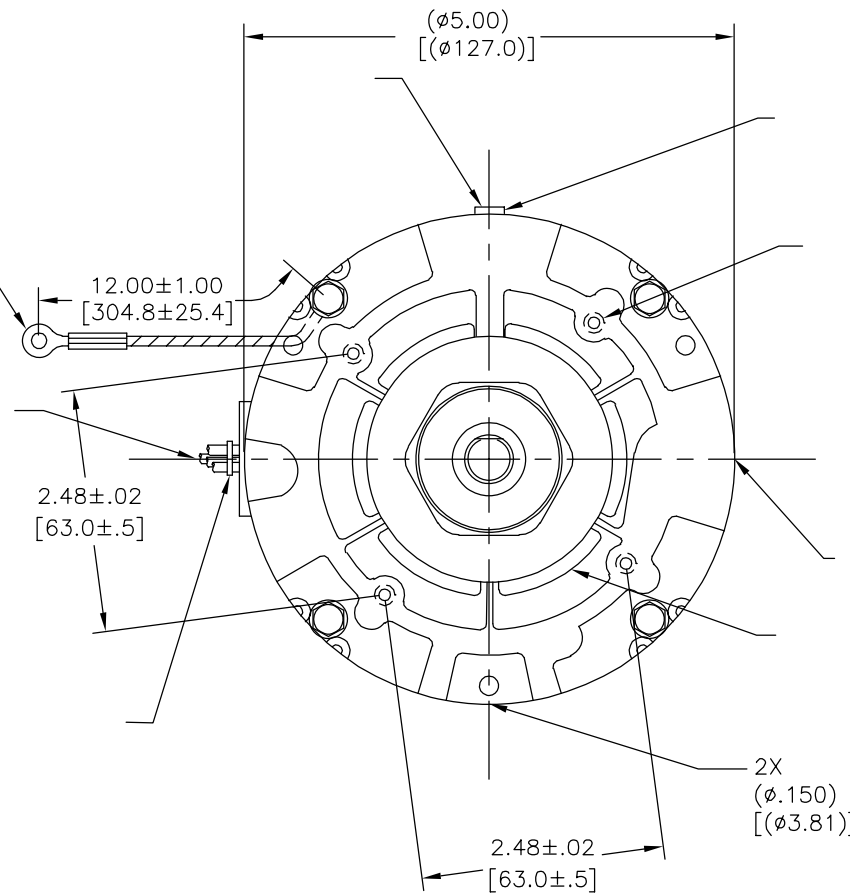
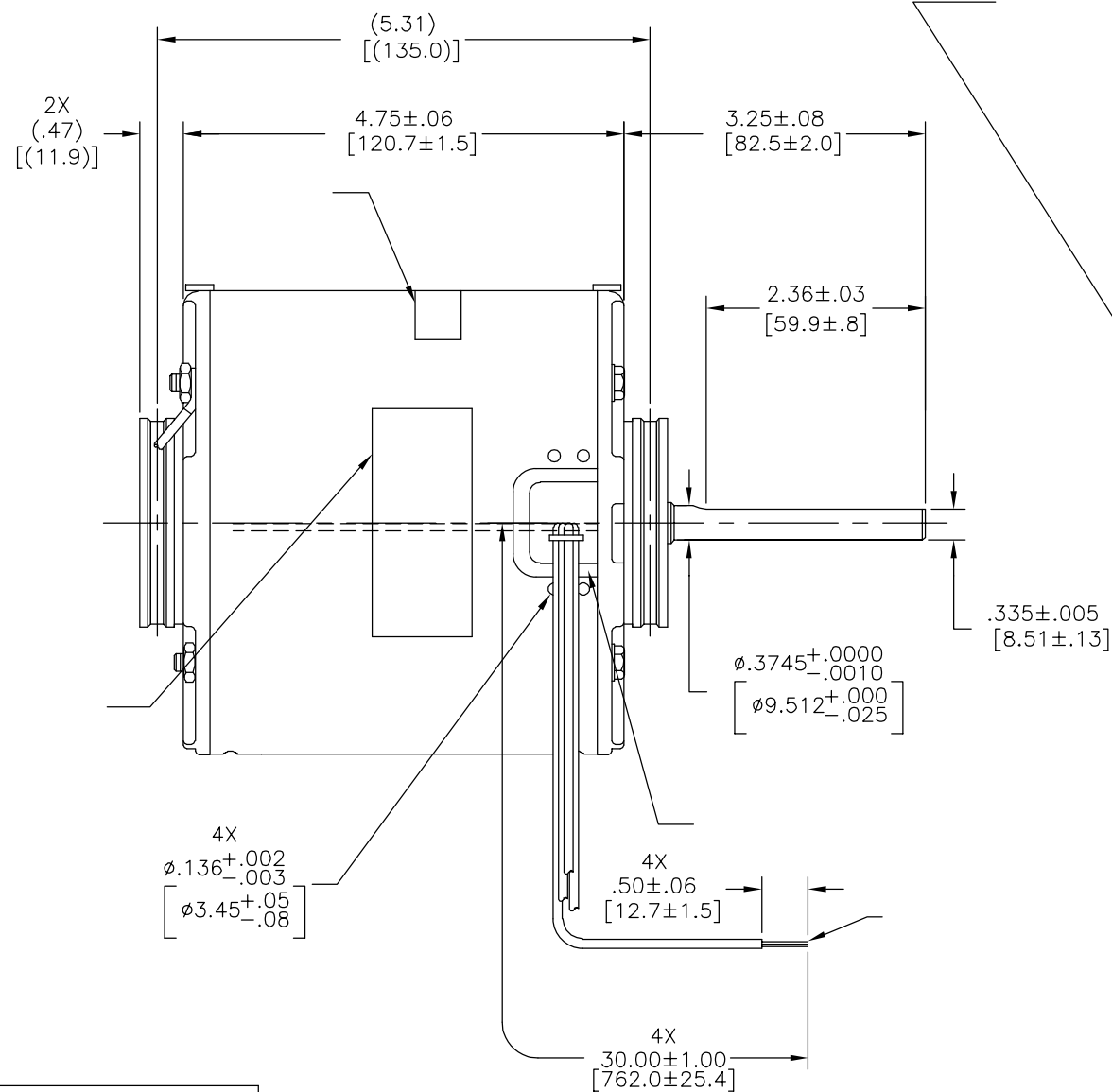
REGAL REGAL-BELOIT CORPORATION

DESCRIPCION: MODEL-RFHP-42FR OUTLINE

TAMAÑO: C NUMERO DE DIBUJO: DA2F7077

ESCALA: NONE HOJA: 1

| | | | | | |
|----|---------|---------|------------|---------|------------|
| 版本 | ECO | 编制 | 日期 | 批准 | 日期 |
| K | 0029000 | I.ORTIZ | 10-16-2012 | M.AVILA | 10-16-2012 |



| | |
|-------|--|
| 115 V | |
| 230 V | |

形位公差
 □ 平面度
 — 直线度
 < 倾斜度
 ⊥ 垂直度
 // 平行度
 ○ 圆度
 ⊙ 圆柱度
 △ 面轮廓度
 ⊖ 线轮廓度
 ⤴ 圆跳动
 ⊕ 位置度
 ⊗ 同轴度
 ≡ 对称度

除另有注明
 尺寸公差如下:
 英寸 X XX XXX XXXX
 毫米 ±0.1 ±0.02 ±0.005 ±0.0005
 角度 ±.50 度
 清理毛刺和尖棱
 英寸 .003-.015 毫米 0.1-0.4
 内圆角
 英寸 .020 毫米 0.5
 表面粗糙度
 英制 125 米制 3.2

绘图: DLC 10-21-1998
 批准: DRB 10-21-1998
 第三角投影
 图例格式发布日期 11-11-2011
 图例格式版本 H
 机密: 本图纸及相关信息所有权归REGAL-BELOIT CORPORATION
 未经REGAL-BELOIT CORPORATION书面授权, 不得泄露、
 复制、传播或作其他用途。—版权所有

ROT: CWLE-CWSE

Century Tipp City, OH THERMALLY PROTECTED

SER. DATE & PO# PLT LTR MOD DA2F077N# STK NO 614
 VOLTS 115/230 HZ 60 AMPS 4.4/2.2
 RPM 1550 SP PH1 CAP
 INS CL AMB °C HP 1/10 CONT A.O. ROTATION →
 BRG SLV ASSEMBLED IN MEXICO

REGAL REGAL-BELOIT CORPORATION

名称: MODEL-RFHP-42FR
 OUTLINE
 图幅: C 图号: DA2F7077
 比例: NONE 页号: 1

ASME Y14.5M 1994

米制尺寸显示在L