

PRODUCT INFORMATION PACKET

Model No: 5KCR49ZN0785S

Catalog No: C1909

1.5 HP General Purpose Farm Duty Motor, 1 phase, 1800 RPM, 115/208-230 V, 56 Frame, TENV
General Purpose Farm Duty Motors



Nameplate Specifications

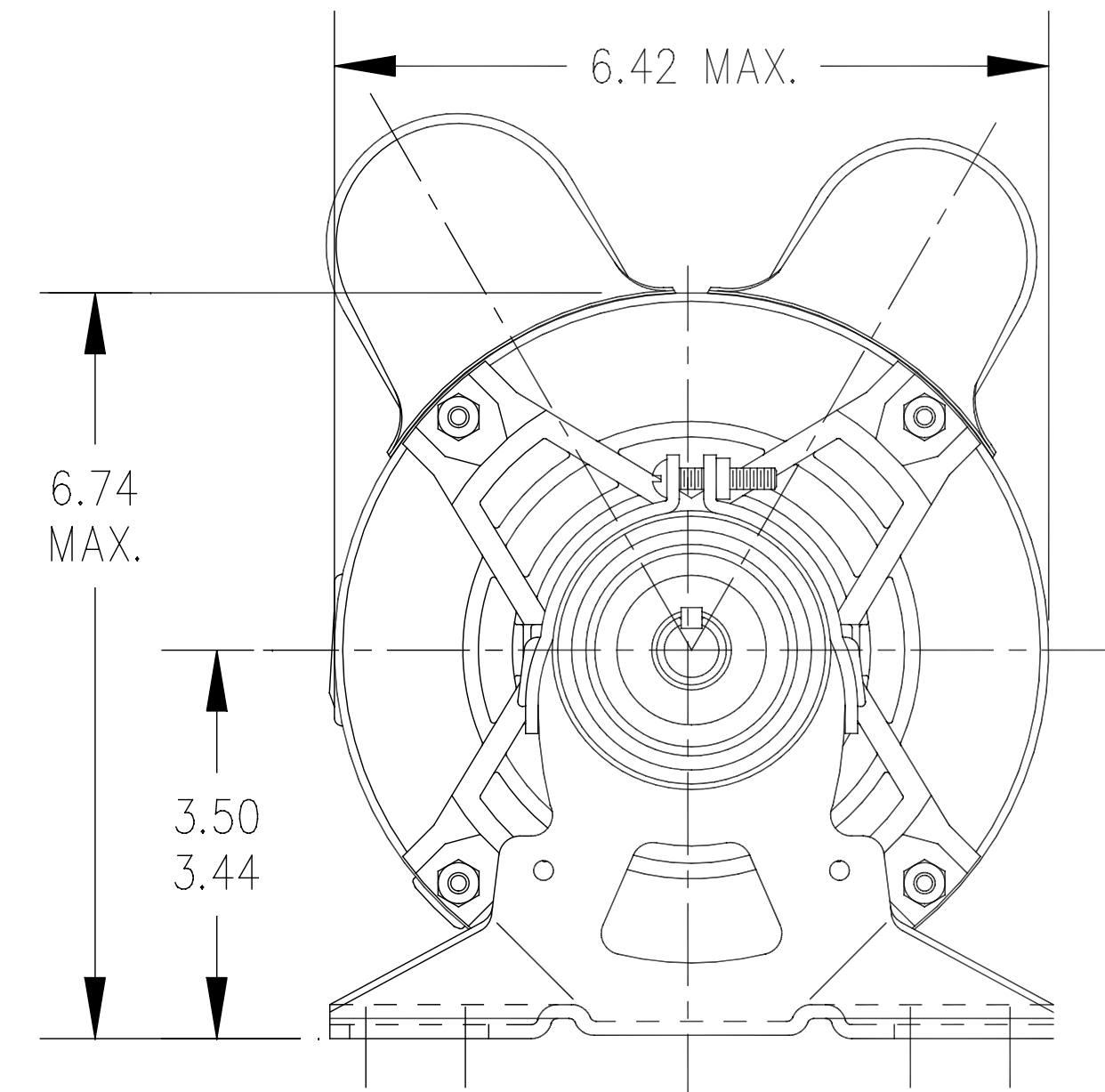
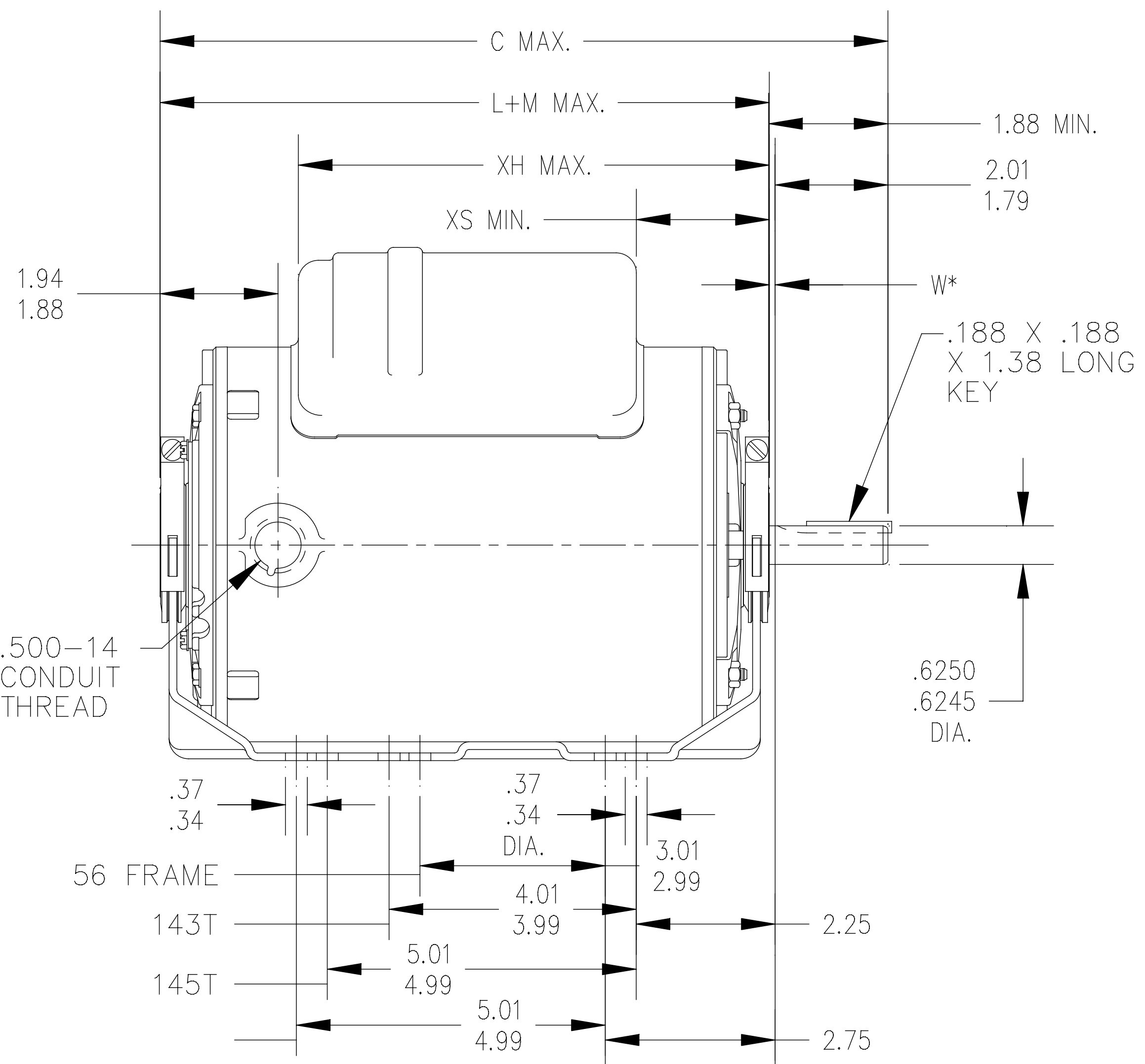
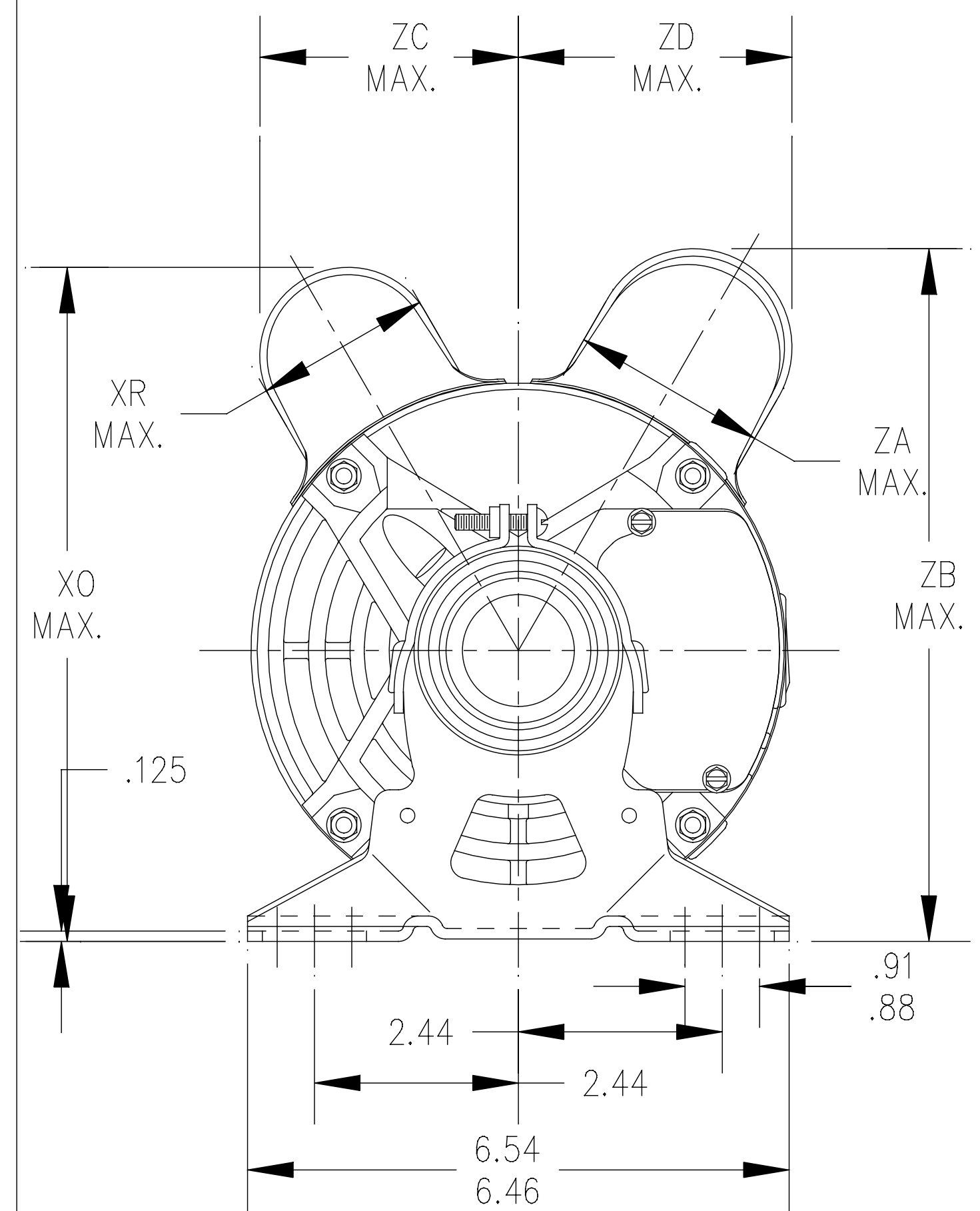
| | | | |
|----------------------------|---------------------------------|------------------------|---------------|
| Output HP | 1.50 Hp | Output KW | 1.1 kW |
| Frequency | 60 Hz | Voltage | 115/208-230 V |
| Current | 14.0,7.2-7.0 A | Speed | 1725 rpm |
| Service Factor | 1.3 | Phase | 1 |
| Efficiency | 78.5 % | Power Factor | 0 |
| Duty | Continuous | Insulation Class | B |
| KVA Code | K | Frame | 56 |
| Enclosure | Totally Enclosed Non Ventilated | Thermal Protection | AUTO |
| Ambient Temperature | 40 °C | Drive End Bearing Size | 6203 |
| Opp Drive End Bearing Size | 6203 | UL | Recognized |
| CSA | Yes | CE | N |
| Number of Speeds | 1 | | |

Technical Specifications

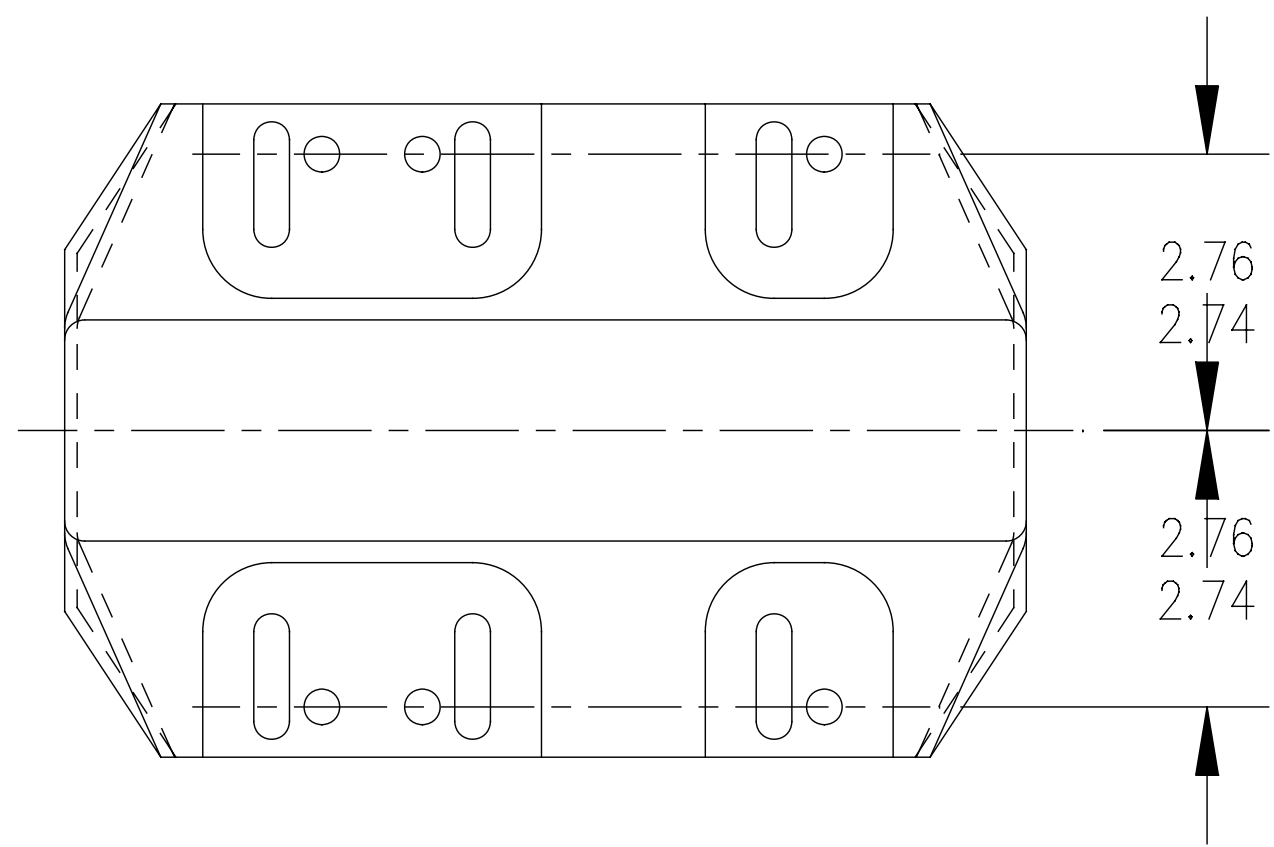
| | | | |
|--------------------|-------------------------------|-----------------------|----------------------------|
| Electrical Type | Capacitor Start Capacitor Run | Starting Method | SM |
| Poles | 4 | Rotation | Counterclockwise/Clockwise |
| Mounting | Resilient Base | Motor Orientation | ANY |
| Drive End Bearing | BALL | Opp Drive End Bearing | Ball |
| Frame Material | Rolled Steel | Overall Length | 13.96 in |
| Frame Length | 9.63 in | Shaft Diameter | 0.630 in |
| Shaft Extension | 1.88 in | | |
| Connection Drawing | 52A105383AB | Outline Drawing | 52A107625P7 |

This is an uncontrolled document once printed or downloaded and is subject to change without notice. Date Created:10/06/2021

52A107625



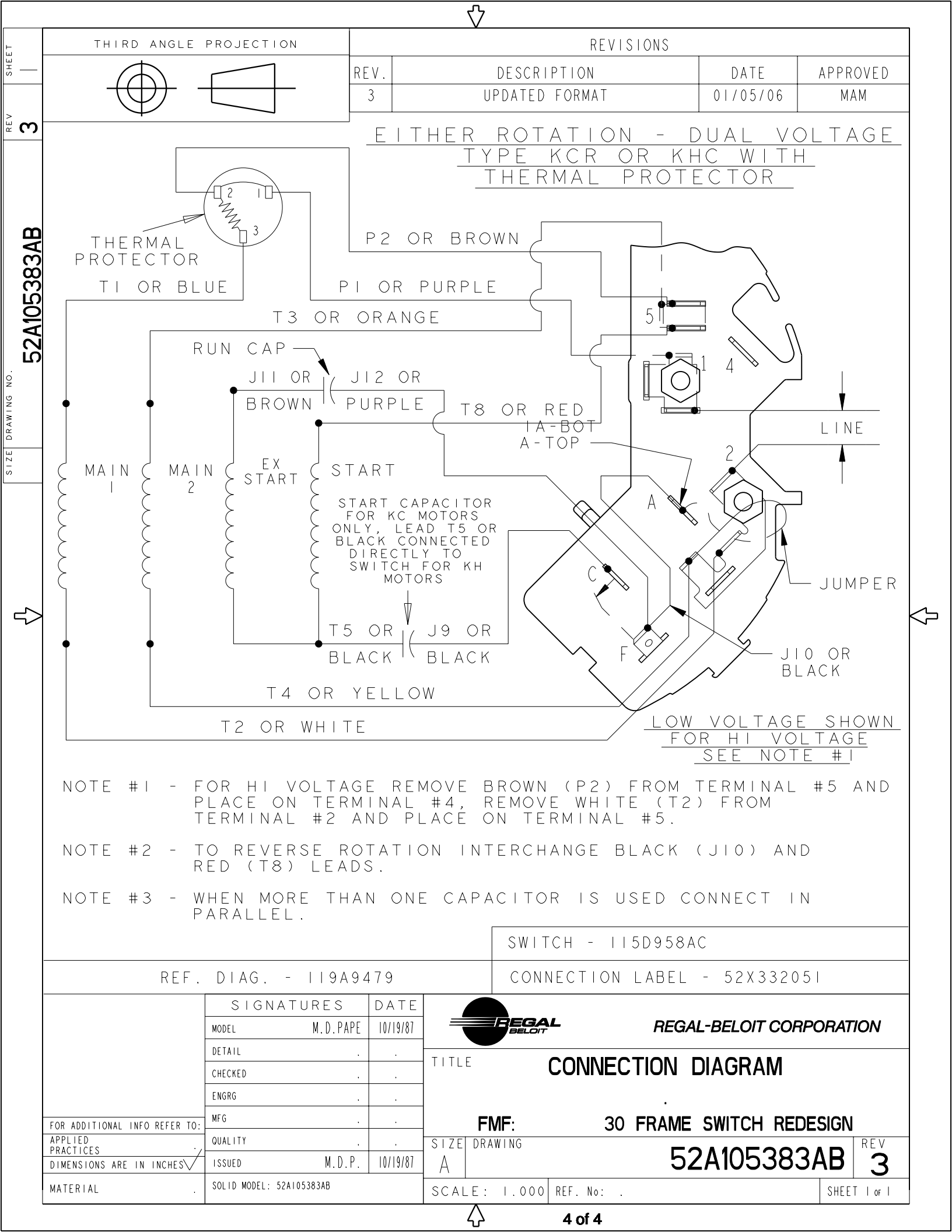
VIEW OF P.E. ENDSHIELD



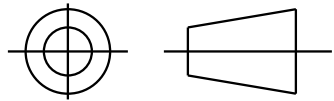
W* IS A VARIABLE CLEARANCE DUE TO VARIATIONS IN PARTS AND ASSEMBLY.

| | | | | | | | | | | | | | | |
|---|------|---------|---------|-------|-------|-------|------|------|------|------|------|------|------|------------|
| 7 | KCR | 49 | 56H | 13.96 | 11.96 | 10.15 | 8.18 | 2.15 | 2.01 | 1.60 | 7.63 | 3.20 | 3.16 | 9.63 |
| 6 | KCR | 49 | 56H | 13.96 | 11.96 | 8.30 | 8.16 | 2.10 | 2.63 | 2.40 | 8.39 | 3.14 | 3.33 | 9.63 |
| 5 | KCR | 49 | 56H | 13.96 | 11.96 | 9.67 | 8.16 | 2.10 | 4.00 | 2.40 | 8.39 | 3.14 | 3.33 | 9.63 |
| 4 | KCR | 48 | 56H | 12.66 | 10.76 | 7.76 | 8.18 | 2.15 | 2.01 | 2.40 | 8.40 | 3.20 | 3.38 | 8.43 |
| 3 | KCR | 48 | 56H | 12.66 | 10.76 | 7.76 | 8.18 | 2.15 | 2.01 | 2.72 | 8.77 | 3.20 | 3.68 | 8.43 |
| 2 | KCR | 49 | 56H | 11.91 | 10.01 | 7.76 | 8.18 | 2.15 | 2.01 | 1.60 | 7.81 | 3.20 | 3.07 | 7.68 |
| 1 | KCR | 49 | 56H | 11.91 | 10.01 | 7.76 | 8.18 | 2.15 | 2.01 | 2.40 | 8.40 | 3.20 | 3.38 | 7.68 |
| P | TYPE | GE SIZE | NEMA FR | C | L+M | XH | XO | XR | XS | ZA | ZB | ZC | ZD | MIN. SHELL |

| | | | | | | | | | | | | | | | | |
|--|-----------------------------|--|--|-----------------------------|--------|---------------------------------------|--------------------|--------|--|--|-------------------|------|-----------------------|--|--|------|
| | | | | TOLERANCES UNLESS SPECIFIED | | REGAL-BELOIT CORPORATION | | | | | DRAWN KK 06/18/15 | | | | | |
| | | | | DEC. | INCHES | | | | | | CHK | | | | | |
| | | | | .X | ±0.1 | TITLE DP- RESIL BASE - BALL -40 FR | | | | | APPD KK 06/18/15 | | | | | |
| | | | | .XX | ±0.02 | | | | | | SCALE 1=1 | | | | | |
| | | | | .XXX | ±0.005 | | | | | | REF XXXXXXXX | | | | | |
| 9 | ADDED PART #7 PER DS05-1253 | | | RJ 11/10/15 | | .XXXX | ±0.0005 | MAT'L. | | | | | FMF | | | |
| NO. | REVISION | | | BY & DATE | | CHK | ANG | FINISH | | | | | PREV | | | |
| THIS DRAWING IN DESIGN AND DETAIL IS OUR PROPERTY AND MUST NOT BE USED EXCEPT IN CONNECTION WITH OUR WORK ALL RIGHTS OF DESIGN AND INVENTION ARE RESERVED THIS IS AN ELECTRONICALLY GENERATED DOCUMENT - DO NOT SCALE THIS PRINT | | | | | | RFP | CAD FILE 52A107625 | | | | | SIZE | DRAWING NO. 52A107625 | | | REV. |
| | | | | | | DIST | | | | | | A | | | | |



THIRD ANGLE PROJECTION



REVISIONS

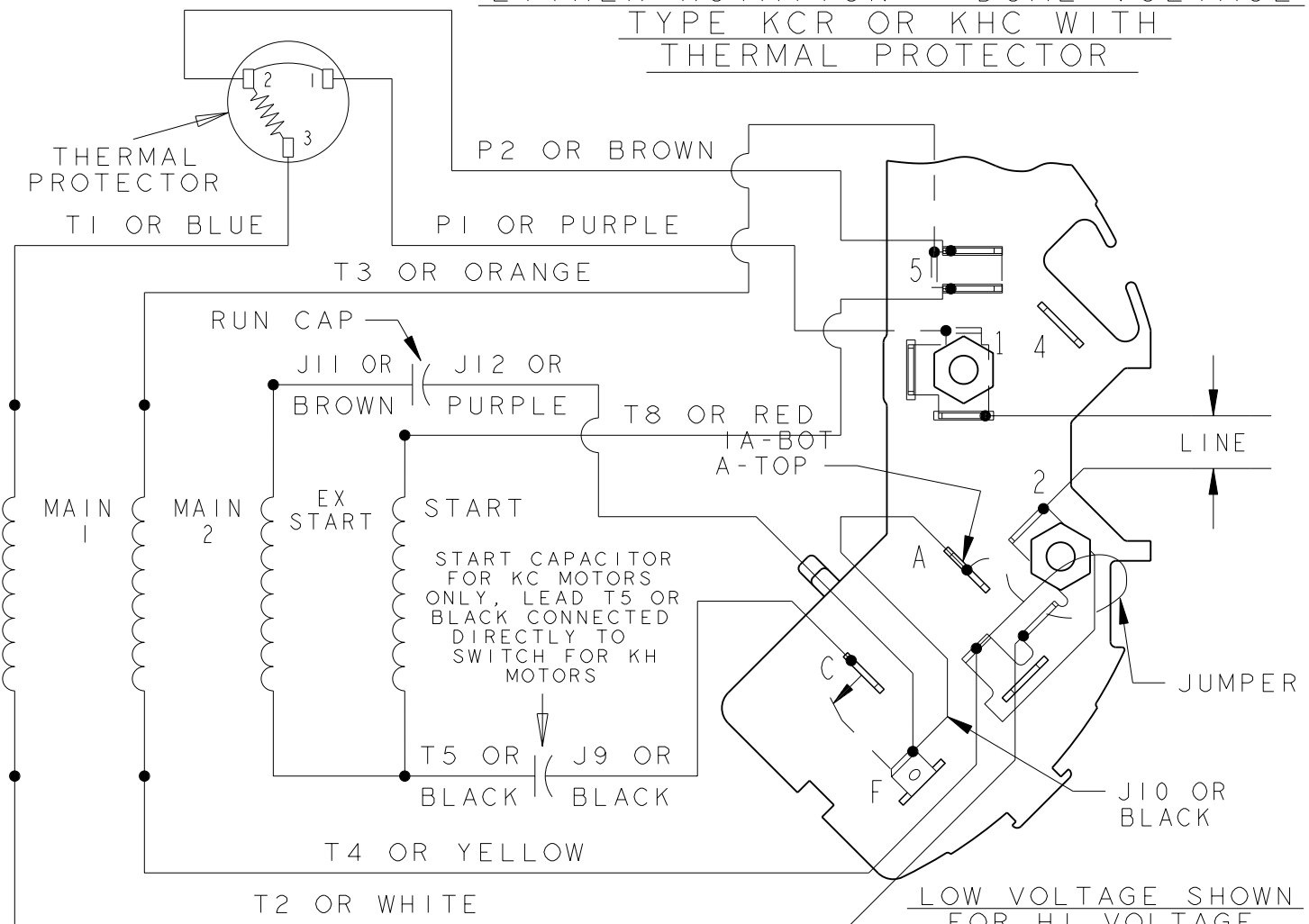
| REV. | DESCRIPTION | DATE | APPROVED |
|------|----------------|----------|----------|
| 3 | UPDATED FORMAT | 01/05/06 | MAM |

EITHER ROTATION - DUAL VOLTAGE TYPE KCR OR KHC WITH THERMAL PROTECTOR

52A105383AB

SIZE DRAWING NO.

REV 3



LOW VOLTAGE SHOWN FOR HI VOLTAGE SEE NOTE #1

- NOTE #1 - FOR HI VOLTAGE REMOVE BROWN (P2) FROM TERMINAL #5 AND PLACE ON TERMINAL #4, REMOVE WHITE (T2) FROM TERMINAL #2 AND PLACE ON TERMINAL #5.
- NOTE #2 - TO REVERSE ROTATION INTERCHANGE BLACK (J10) AND RED (T8) LEADS.
- NOTE #3 - WHEN MORE THAN ONE CAPACITOR IS USED CONNECT IN PARALLEL.

SWITCH - 115D958AC

REF. DIAG. - 119A9479

CONNECTION LABEL - 52X332051

| SIGNATURES | | DATE |
|-------------------------------|--------------------------|-------------------|
| MODEL | M. D. PAPE | 10/19/87 |
| DETAIL | . | . |
| CHECKED | . | . |
| ENGRG | . | . |
| MFG | . | . |
| FOR ADDITIONAL INFO REFER TO: | QUALITY | . |
| APPLIED PRACTICES | ISSUED | M. D. P. 10/19/87 |
| DIMENSIONS ARE IN INCHES | SOLID MODEL: 52A105383AB | |

REGAL-BELOIT CORPORATION

TITLE **CONNECTION DIAGRAM**

FMF: 30 FRAME SWITCH REDESIGN

SIZE DRAWING **52A105383AB** REV **3**

SCALE: 1.000 REF. No: . SHEET 1 of 1

