

PRODUCT INFORMATION PACKET

Model No: 5KCR49SN0150X

Catalog No: C1160

1.5 HP General Purpose Motor, 1 phase, 1800 RPM, 115/208-230 V, 56H Frame, ODP
General Purpose Motors



Regal and Marathon are trademarks of Regal Rexnord Corporation or one of its affiliated companies.
©2021 Regal Rexnord Corporation, All Rights Reserved. MC017097E

Nameplate Specifications

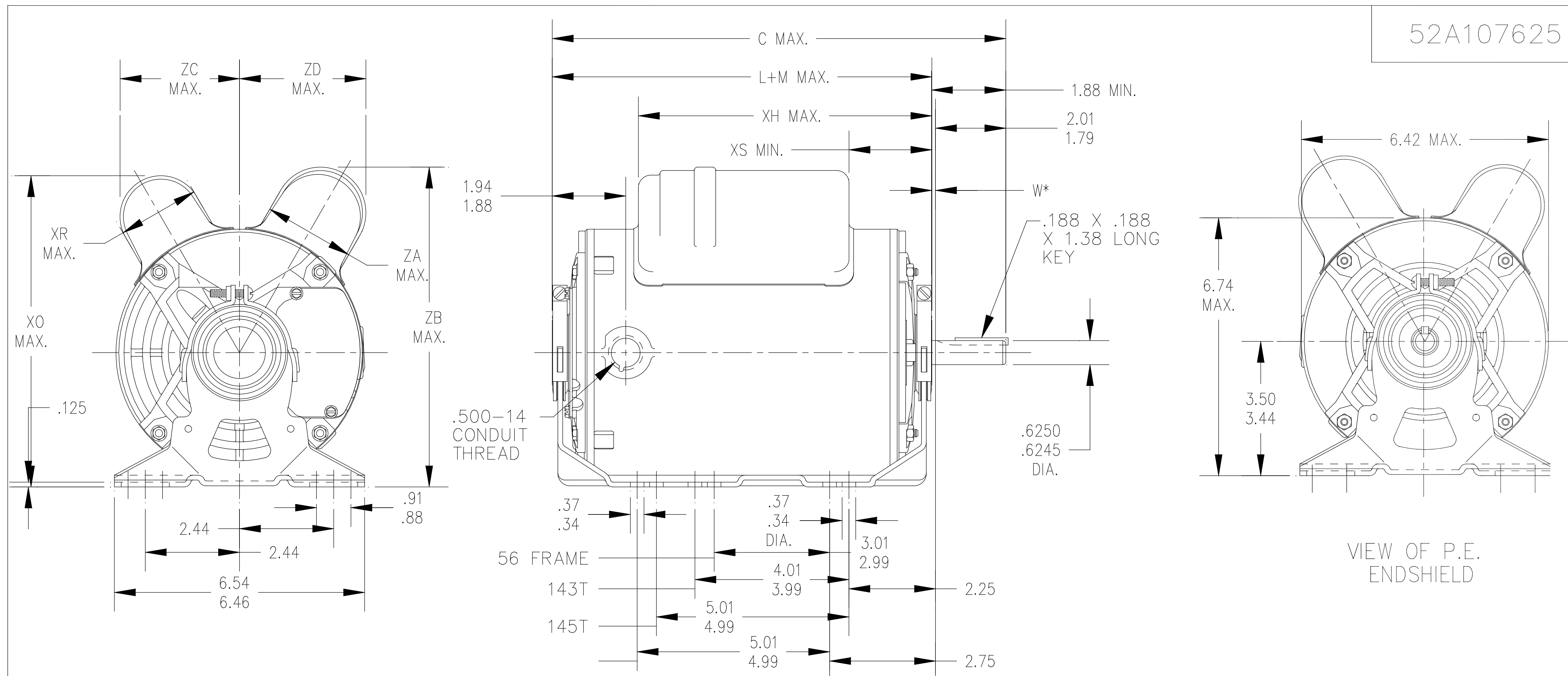
Output HP	1.50 Hp	Output KW	1.1 kW
Frequency	60 Hz	Voltage	115/208-230 V
Current	16.4,8.4-8.2 A	Speed	1725 rpm
Service Factor	1.15	Phase	1
Efficiency	77 %	Power Factor	84.9
Duty	Continuous	Insulation Class	B
KVA Code	J	Frame	56H
Enclosure	Drip Proof	Thermal Protection	AUTO
Ambient Temperature	40 °C	Drive End Bearing Size	6205
Opp Drive End Bearing Size	6203	UL	Recognized
CSA	Yes	CE	N
Number of Speeds	1		

Technical Specifications

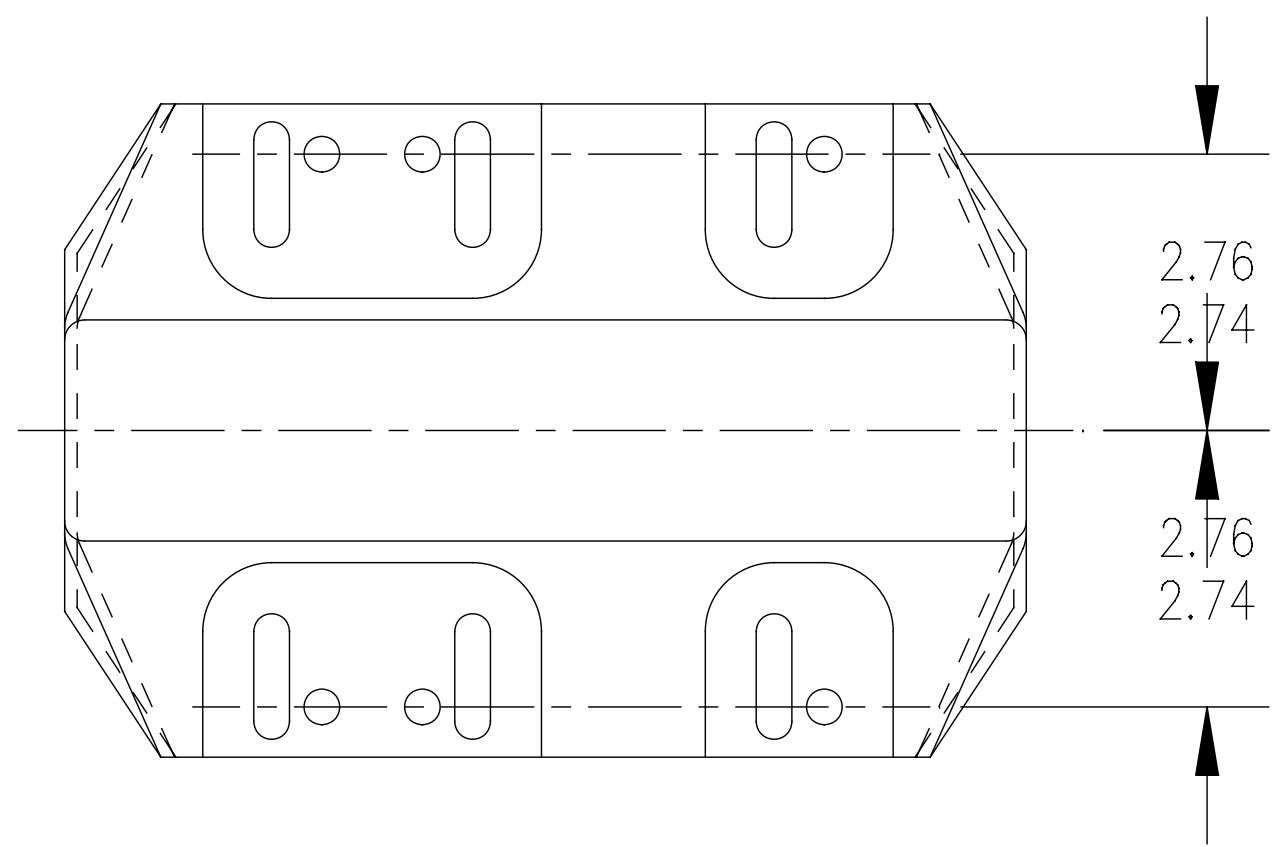
Electrical Type	Capacitor Start Capacitor Run	Starting Method	SM
Poles	4	Rotation	Counterclockwise/Clockwise
Mounting	Resilient Base	Motor Orientation	ANY
Drive End Bearing	BALL	Opp Drive End Bearing	Ball
Frame Material	Rolled Steel	Overall Length	11.9 in
Frame Length	7.68 in	Shaft Diameter	0.630 in
Shaft Extension	1.88 in		
Connection Drawing	52A105383AC	Outline Drawing	52A107625P2

This is an uncontrolled document once printed or downloaded and is subject to change without notice. Date Created:10/06/2021

52A107625



W* IS A VARIABLE CLEARANCE DUE TO VARIATIONS IN PARTS AND ASSEMBLY.

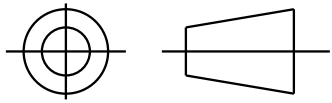


7	KCR	49	56H	13.96	11.96	10.15	8.18	2.15	2.01	1.60	7.63	3.20	3.16	9.63
6	KCR	49	56H	13.96	11.96	8.30	8.16	2.10	2.63	2.40	8.39	3.14	3.33	9.63
5	KCR	49	56H	13.96	11.96	9.67	8.16	2.10	4.00	2.40	8.39	3.14	3.33	9.63
4	KCR	48	56H	12.66	10.76	7.76	8.18	2.15	2.01	2.40	8.40	3.20	3.38	8.43
3	KCR	48	56H	12.66	10.76	7.76	8.18	2.15	2.01	2.72	8.77	3.20	3.68	8.43
2	KCR	49	56H	11.91	10.01	7.76	8.18	2.15	2.01	1.60	7.81	3.20	3.07	7.68
1	KCR	49	56H	11.91	10.01	7.76	8.18	2.15	2.01	2.40	8.40	3.20	3.38	7.68
P	TYPE	GE SIZE	NEMA FR	C	L+M	XH	XO	XR	XS	ZA	ZB	ZC	ZD	MIN. SHELL

				TOLERANCES UNLESS SPECIFIED		REGAL-BELOIT CORPORATION				DRAWN KK 06/18/15		
				DEC.	INCHES					CHK		
				.X	±0.1	TITLE DP- RESIL BASE - BALL -40 FR				APPD KK 06/18/15		
				.XX	±0.02					SCALE 1=1		
				.XXX	±0.005					REF XXXXXXXX		
9	ADDED PART #7 PER DS05-1253			RJ	11/10/15	.XXXX	±0.0005	MAT'L.		FMF		
NO.	REVISION			BY & DATE	CHK	ANG	±1.0	FINISH		PREV		
THIS DRAWING IN DESIGN AND DETAIL IS OUR PROPERTY AND MUST NOT BE USED EXCEPT IN CONNECTION WITH OUR WORK ALL RIGHTS OF DESIGN AND INVENTION ARE RESERVED THIS IS AN ELECTRONICALLY GENERATED DOCUMENT - DO NOT SCALE THIS PRINT				RFP	CAD FILE			52A107625	SIZE	DRAWING NO.		REV.
				DIST				A	52A107625			

SHEET 1
 REV 4
 SIZE DRAWING NO. 52A105383AC

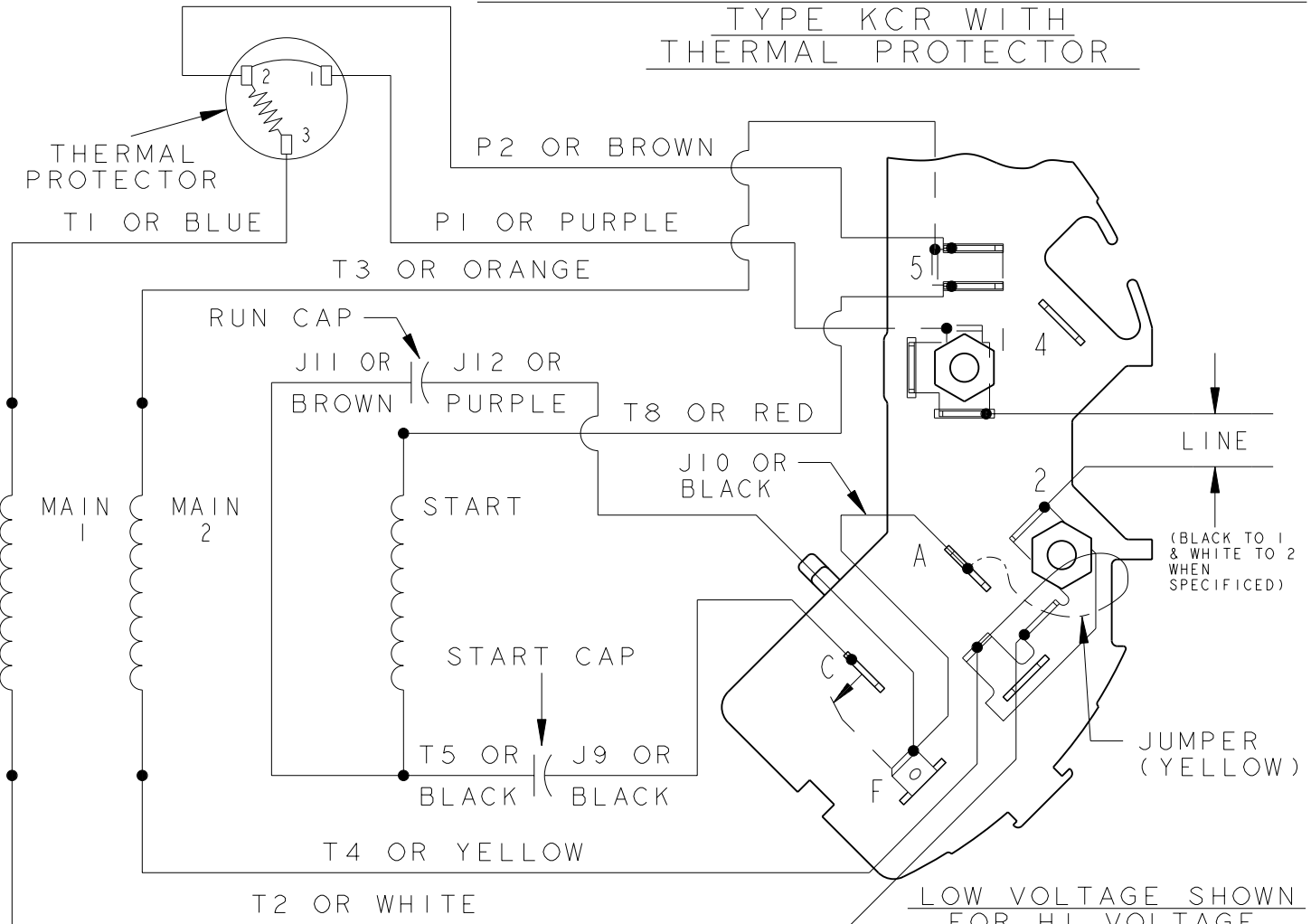
THIRD ANGLE PROJECTION



REVISIONS

REV.	DESCRIPTION	DATE	APPROVED
4	ADDED NOTE FOR LINE LEAD PER DS09-1045	07/15/09	ARCHANA

EITHER ROTATION - DUAL VOLTAGE
TYPE KCR WITH
THERMAL PROTECTOR



LOW VOLTAGE SHOWN
FOR HI VOLTAGE
SEE NOTE #1

NOTE #1 - FOR HI VOLTAGE REMOVE BROWN (P2) FROM TERMINAL #5 AND PLACE ON TERMINAL #4, REMOVE WHITE (T2) FROM TERMINAL #2 AND PLACE ON TERMINAL #5.

NOTE #2 - TO REVERSE ROTATION INTERCHANGE BLACK (J10) AND RED (T8) LEADS.

NOTE #3 - WHEN MORE THAN ONE CAPACITOR IS USED CONNECT IN PARALLEL.

SWITCH - 115D958AC

REF. DIAG. - NONE

CONNECTION LABEL - 52X332051

SIGNATURES		DATE
MODEL	M. D. PAPE	03/03/88
DETAIL	.	.
CHECKED	.	.
ENGRG	.	.
MFG	.	.
FOR ADDITIONAL INFO REFER TO:	QUALITY	.
APPLIED PRACTICES	ISSUED	M. D. P. 03/03/88
DIMENSIONS ARE IN INCHES ✓	SOLID MODEL: 52A105383AC	



REGAL-BELOIT CORPORATION

TITLE CONNECTION DIAGRAM

FMF: 30 FRAME SWITCH REDESIGN

SIZE DRAWING 52A105383AC REV 4

SCALE: 1.000 REF. No: SHEET 1 of 1