

PRODUCT INFORMATION PACKET

Model No: 5KCR49PN0077U

Catalog No: C1293

3/4 HP Auger Drive Motor, 1 phase, 1800 RPM, 115/208-230 V, 56NY Frame, TEFC
Auger Drive Motors



Regal and Marathon are trademarks of Regal Rexnord Corporation or one of its affiliated companies.
©2021 Regal Rexnord Corporation, All Rights Reserved. MC017097E

Nameplate Specifications

Output HP	0.75 Hp	Output KW	0.56 kW
Frequency	60 Hz	Voltage	115/208-230 V
Current	8.4,4.5-4.2 A	Speed	1725/1425 rpm
Service Factor	1.25	Phase	1
Efficiency	72 %	Power Factor	0
Duty	Continuous	Insulation Class	B
KVA Code	M	Frame	56NY
Enclosure	Totally Enclosed Fan Cooled	Thermal Protection	MAN
Ambient Temperature	40 °C	Drive End Bearing Size	6203
Opp Drive End Bearing Size	6203	UL	Recognized
CSA	Yes	CE	N
Number of Speeds	1		

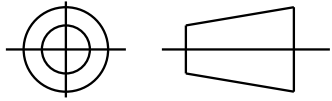
Technical Specifications

Electrical Type	Capacitor Start Capacitor Run	Starting Method	SM
Poles	4	Rotation	Counterclockwise/Clockwise
Mounting	Round	Motor Orientation	ANY
Drive End Bearing	BALL	Opp Drive End Bearing	Ball
Frame Material	Rolled Steel	Overall Length	13.13 in
Frame Length	7.68 in	Shaft Diameter	0.500 in
Shaft Extension	1.81 in		
Outline Drawing	52A107767P1	Connection Drawing	52A105383BA

This is an uncontrolled document once printed or downloaded and is subject to change without notice. Date Created:10/06/2021

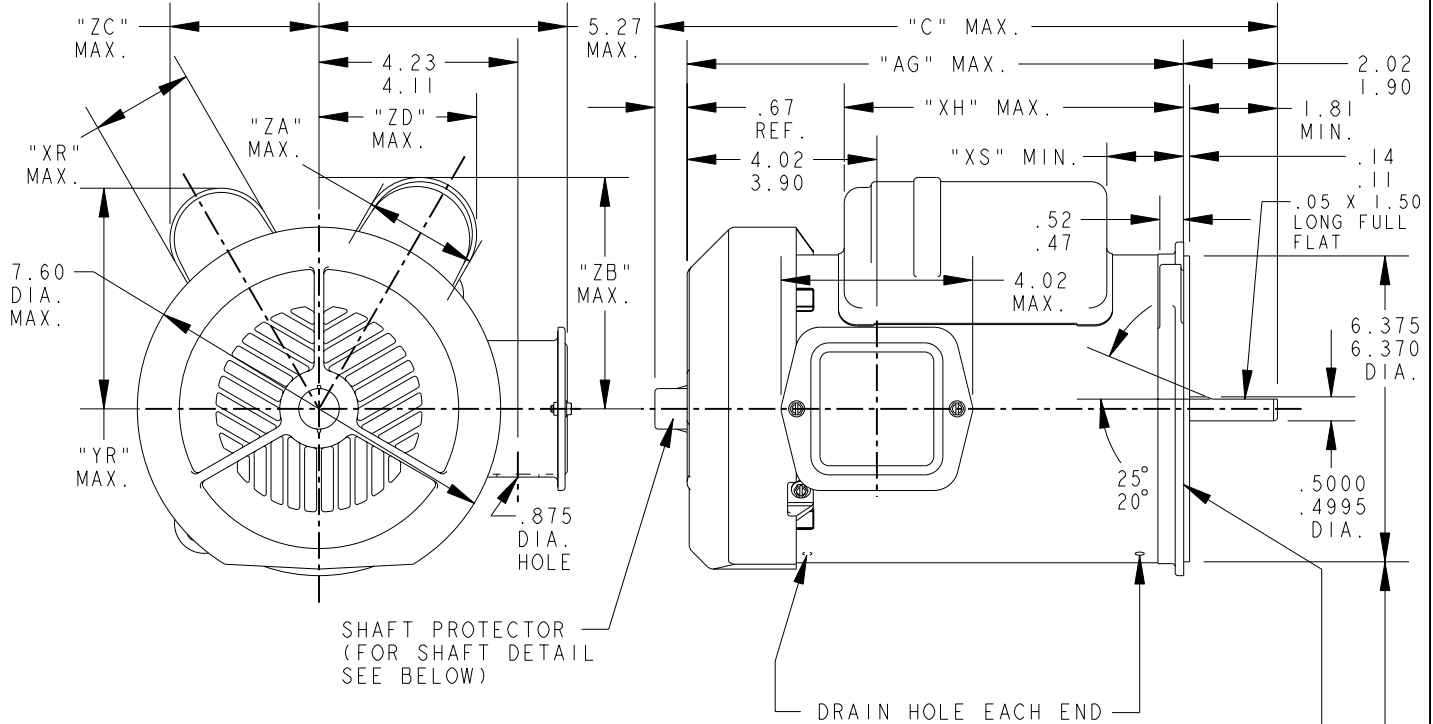
SHEET 1
 REV 3
 SIZE DRAWING NO. 52A107767
 A

THIRD ANGLE PROJECTION

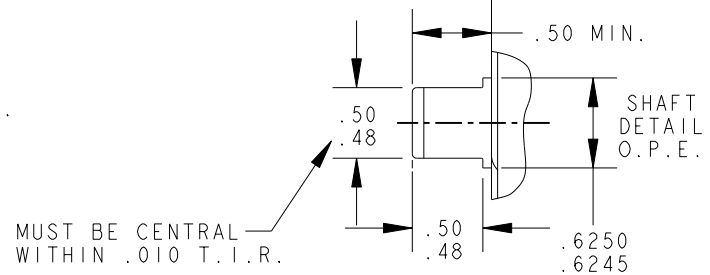
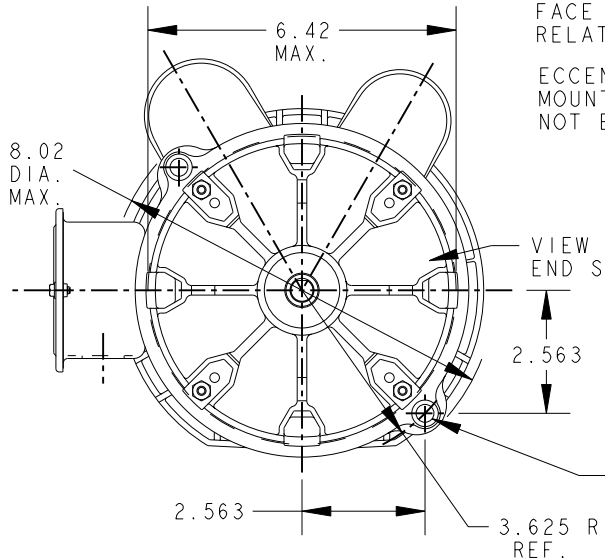


REVISIONS

REV.	DESCRIPTION	DATE	APPROVED
2	UPDATED PE ENDSHIELD PER TI98-23554.	06/05/98	M.D.PAPE
3	CHG TO RBC FORMAT PER ISO5-1777	03/02/06	SUDHA



FACE RUNOUT (WITH INDICATOR MOUNTED STATIONARY RELATIVE TO SHAFT) MUST NOT EXCEED .006 T.I.R.
 ECCENTRICITY OF THIS SURFACE (WITH INDICATOR MOUNTED STATIONARY RELATIVE TO SHAFT) MUST NOT EXCEED .006 T.I.R.




.380/.340 DIA. (2 HOLES) THESE HOLES FIT A GAGE HAVING A RABBET 6.3755 DIA. AND 2 PINS .3309 DIA. LOCATED ON THE BASIC HOLE POSITIONS.

ALL DIMENSIONS ARE IN INCHES

2	KCR	49	56NY	14.44	11.73	7.77	4.68	2.15	2.02	2.72	5.27	3.20	3.66	8.99
I	KCR	49	56NY	13.13	10.42	7.21	4.68	2.15	1.46	2.40	4.90	3.20	3.38	7.68
P	TYPE	GE SIZE	NEMA FR.	"C"	"AG"	"XH"	"YR"	"XR"	"XS"	"ZA"	"ZB"	"ZC"	"ZD"	MIN. SHELL

SIGNATURES		DATE
MODEL	M.D.PAPE	11/20/91
DETAIL	.	.
CHECKED	.	.
ENGRG	.	.
MFG	.	.
FOR ADDITIONAL INFO REFER TO:	QUALITY	.
APPLIED PRACTICES	ISSUED	M.A.M. 07/07/94
DIMENSIONS ARE IN INCHES ✓	SOLID MODEL: 52A107767	



REGAL-BELOIT CORPORATION

TITLE **OUTLINE**

SPECIAL PURPOSE MOTOR TEFC - BALL BEARING - 2 LUG FLANGE FMF: 5KCR49PN0077Y

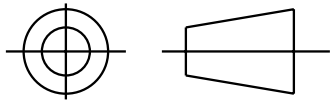
SIZE DRAWING **A**

SCALE: 0.250 REF. No: . SHEET 1 of 1

52A107767
 REV 3

SHEET 1
REV 7
52A105383BA
SIZE DRAWING NO.

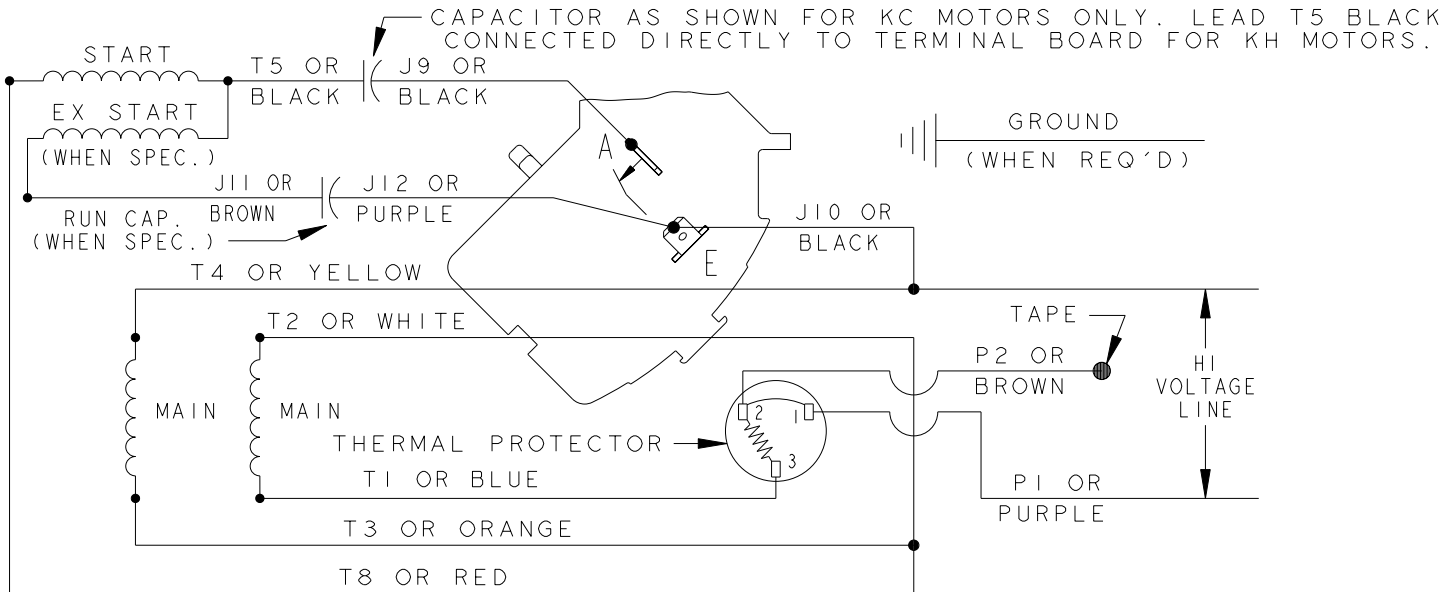
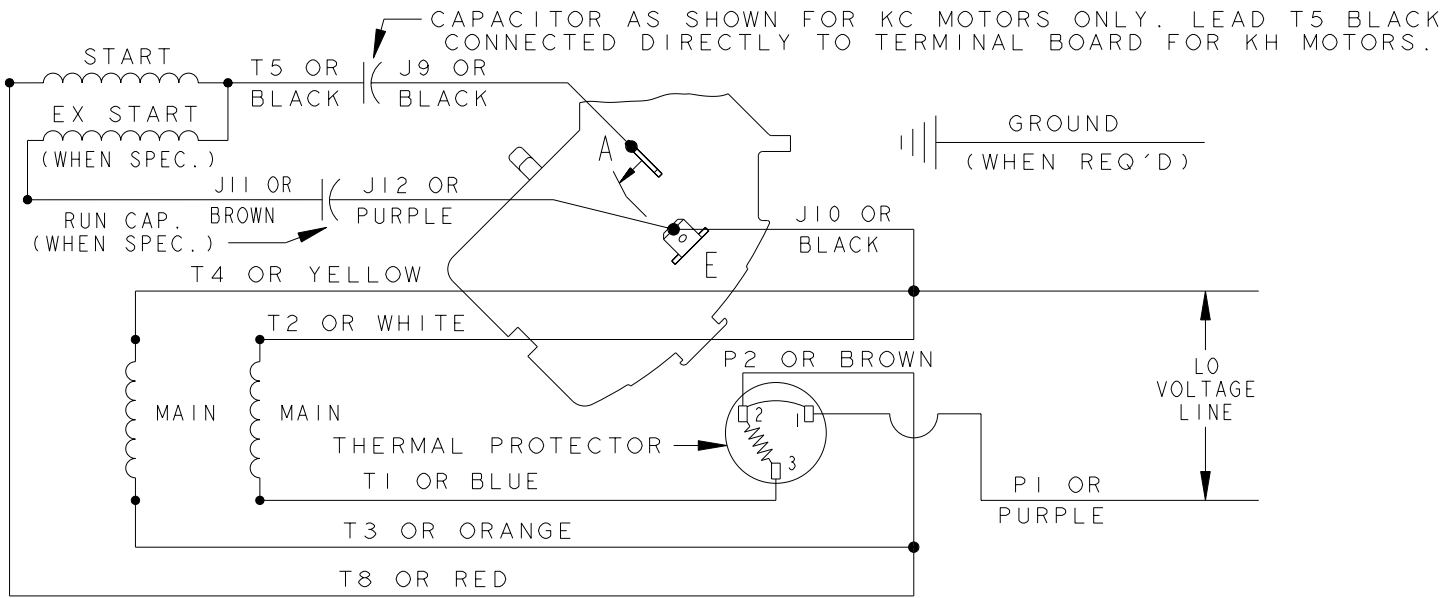
THIRD ANGLE PROJECTION



REVISIONS

REV.	DESCRIPTION	DATE	APPROVED
7	UPDATED FORMAT	01/05/06	MAM

CCW/CW ROTATION - DUAL VOLTAGE
TYPE KC , KH OR KCR - WITH THERMAL PROTECTOR



NOTE#1 - TO REVERSE ROTATION, INTERCHANGE T8 RED AND J10 BLACK LEADS.
NOTE#2 - WHEN MORE THAN ONE CAPACITOR IS USED, CONNECT IN PARALLEL.
NOTE#3 - 115D958ABP5 - HIGH CURRENT CONTACTS.

SWITCH (C) - 115D958ABP5, SWITCH (H) - 115D958AA (USE 115D958DA FOR EP)

REF. DIAG. - 113A327, 119A9352 & 52A102102 CONNECTION LABEL - 52X332912

SIGNATURES		DATE		REGAL-BELOIT CORPORATION	
MODEL	M.D.P.	06/29/87		TITLE CONNECTION DIAGRAM FMF: 30 FRAME SWITCH REDESIGN	
DETAIL	.	.			
CHECKED	.	.			
ENGRG	.	.			
MFG	.	.			
FOR ADDITIONAL INFO REFER TO:	QUALITY	.	SIZE	DRAWING	52A105383BA
APPLIED PRACTICES	ISSUED	M.D.P. 12/11/97	A		
DIMENSIONS ARE IN INCHES ✓	SOLID MODEL: 52A105383BA		SCALE: 1.000	REF. No.	SHEET 1 of 1