

# PRODUCT INFORMATION PACKET

Model No: 5KCP36NNB670U

Catalog No: PG252

1/2 HP Instant Reversing Motor, 1 phase, 1800 RPM, 115 V, 56 Frame, ODP  
Instant Reversing Motors



Regal and Marathon are trademarks of Regal Rexnord Corporation or one of its affiliated companies.

©2021 Regal Rexnord Corporation, All Rights Reserved. MC017097E



### Nameplate Specifications

Output HP	<b>0.50 Hp</b>	Output KW	<b>0.37 kW</b>
Frequency	<b>60 Hz</b>	Voltage	<b>115 V</b>
Current	<b>5.4 A</b>	Speed	<b>1625/1325 rpm</b>
Service Factor	<b>1</b>	Phase	<b>1</b>
Efficiency	<b>59.1 %</b>	Power Factor	<b>0</b>
Duty	<b>Continuous</b>	Insulation Class	<b>B</b>
KVA Code	<b>A</b>	Frame	<b>56</b>
Enclosure	<b>Drip Proof</b>	Thermal Protection	<b>MANUAL</b>
Ambient Temperature	<b>40 °C</b>	Drive End Bearing Size	<b>6203</b>
Opp Drive End Bearing Size	<b>6203</b>	UL	<b>Recognized</b>
CSA	<b>Yes</b>	CE	<b>N</b>
Number of Speeds	<b>1</b>		

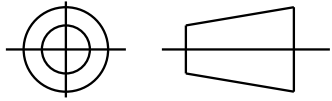
### Technical Specifications

Electrical Type	<b>Permanent Split Capacitor(PSC)</b>	Starting Method	<b>N/R</b>
Poles	<b>4</b>	Rotation	<b>Instant Reversible</b>
Mounting	<b>Resilient Base</b>	Motor Orientation	<b>ANY</b>
Drive End Bearing	<b>BALL</b>	Opp Drive End Bearing	<b>Ball</b>
Frame Material	<b>Rolled Steel</b>	Overall Length	<b>9.85 in</b>
Frame Length	<b>6.22 in</b>	Shaft Diameter	<b>0.630 in</b>
Shaft Extension	<b>1.88 in</b>		
Connection Drawing	<b>52A109207</b>	Outline Drawing	<b>52A111713P1</b>

This is an uncontrolled document once printed or downloaded and is subject to change without notice. Date Created:10/06/2021

THIRD ANGLE PROJECTION

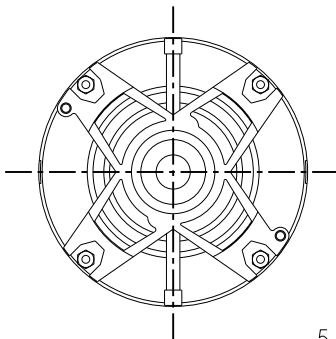
REVISIONS



REV.	DESCRIPTION	DATE	APPROVED
1	UPDATED OE E/S TO SHOW TBC IS09-4038	10/01/09	DURGA

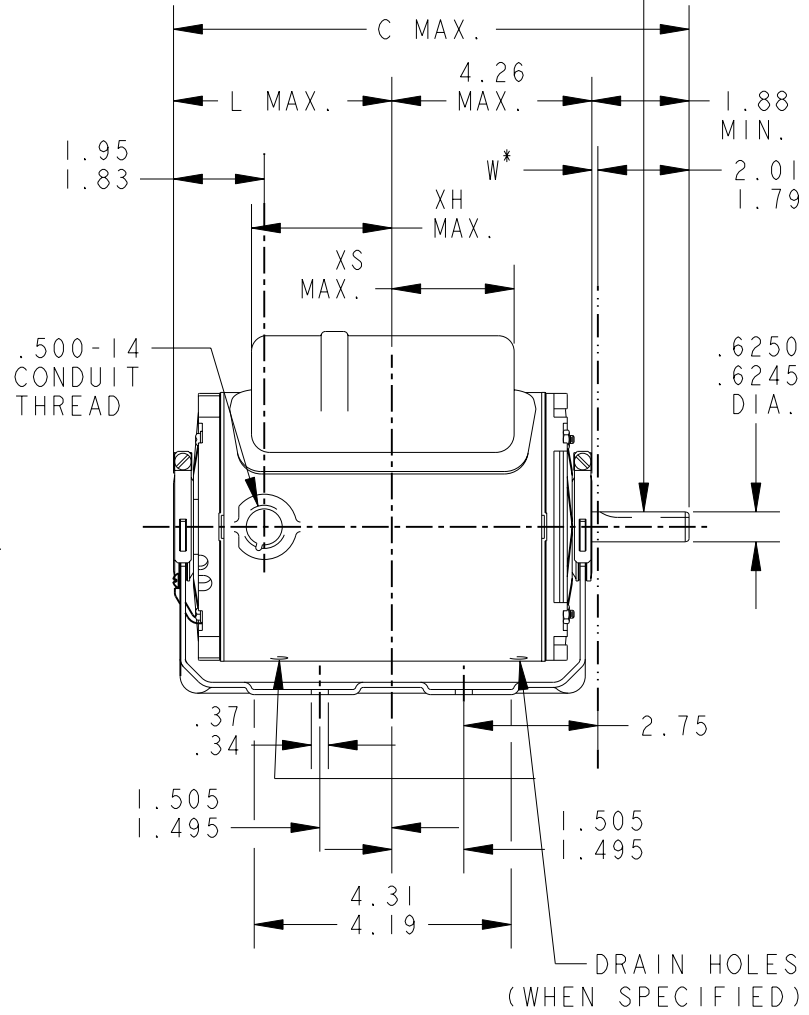
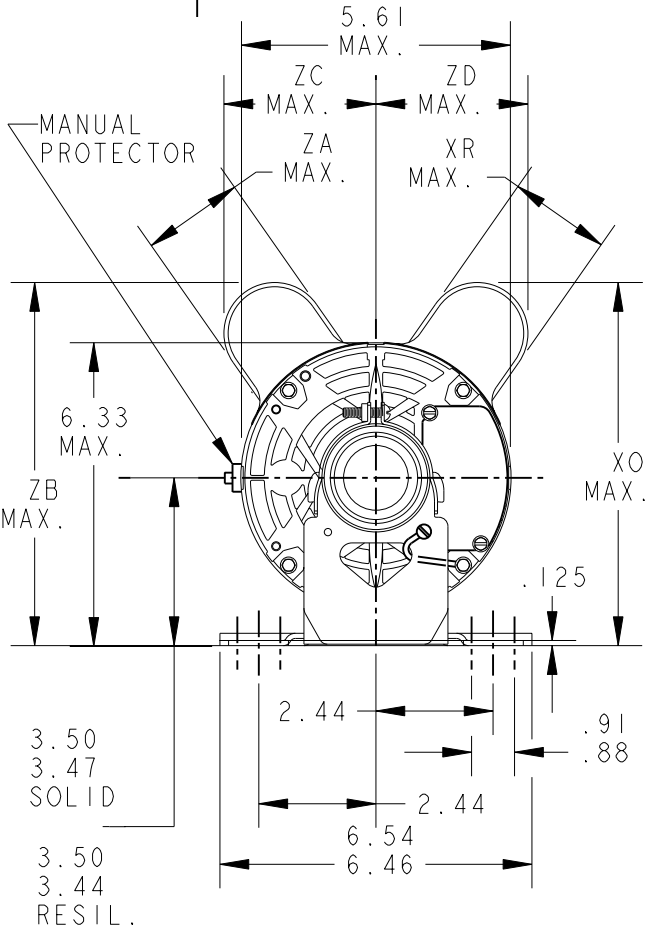
52A111713 1

SIZE DRAWING NO. A



VIEW SHOWING P.E. VENTILATION OPENINGS


KEYWAY FOR .188 X .188 X 1.32 LG. KEY



W\* IS A CLEARANCE DUE TO VARIATION IN PARTS AND ASSEMBLY.

I	KCP	36	56	9.85	4.23	3.09	2.61	2.22	7.81	3.38	2.22	7.81	3.38	6.22
P	TYPE	RBC SIZE	NEMA FR	C	L	XH	XS	XR	XO	ZD	ZA	ZB	ZC	SHELL REF.

SIGNATURES		DATE
MODEL	PRAVEEN K	07/12/05
DETAIL	.	.
CHECKED	.	.
ENGRG	.	.
MFG	.	.
QUALITY	.	.
ISSUED	DEBRAJ	07/12/05
SOLID MODEL:	52A111713	



**REGAL-BELOIT CORPORATION**

TITLE **OUTLINE**

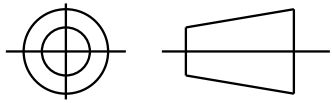
**FORM N - GENERAL PURPOSE MOTOR - DRIP PROOF - SOLID OR RESIL. BASE - BALL OR SLEEVE BEARING**

SCALE: 1.000 REF. No: . SHEET 1 of 1

FOR ADDITIONAL INFO REFER TO:  
 APPLIED PRACTICES  
 DIMENSIONS ARE IN INCHES ✓  
 MATERIAL

SHEET 1  
REV 6  
52A109207

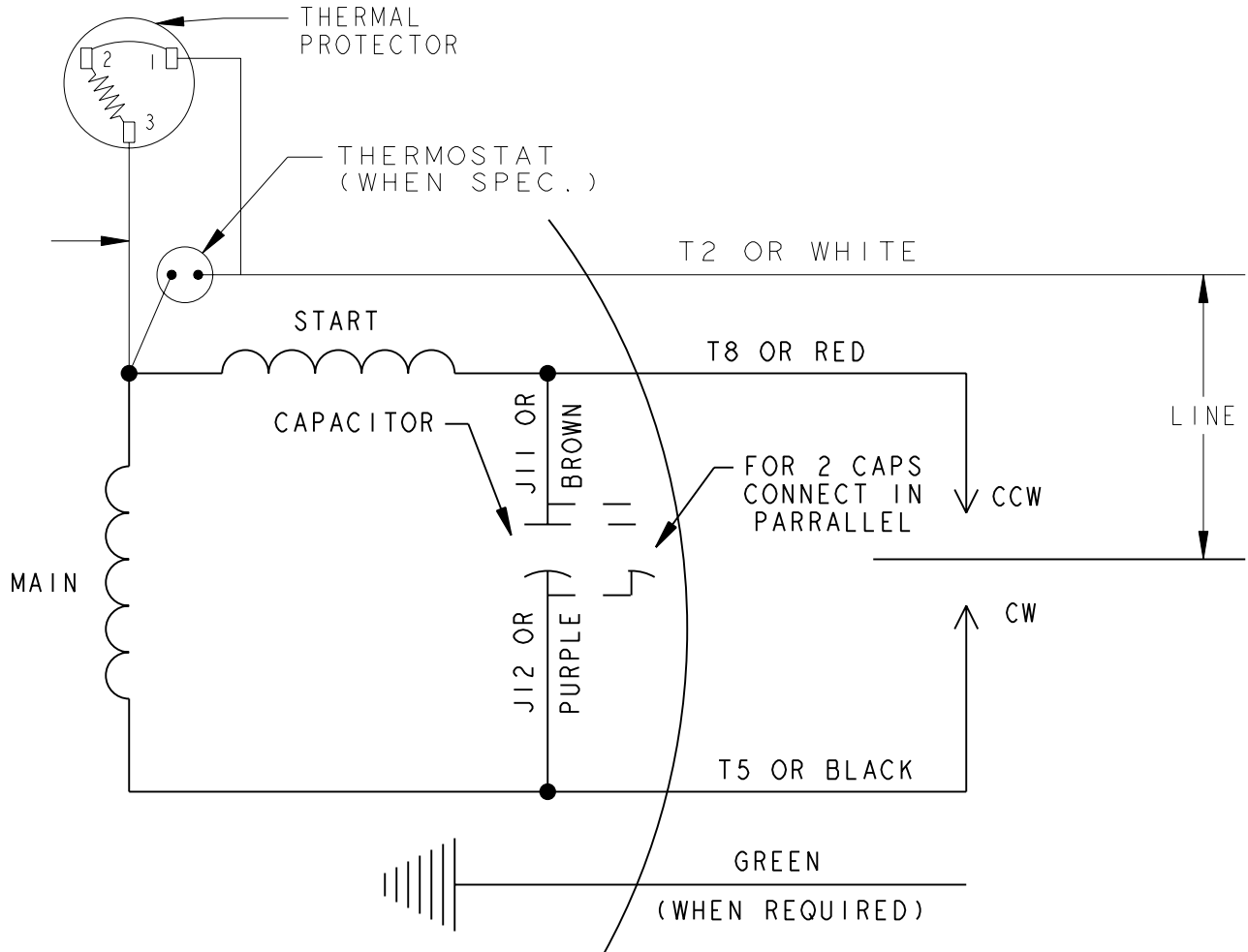
THIRD ANGLE PROJECTION



REVISIONS

REV.	DESCRIPTION	DATE	APPROVED
6	UPDATED TO RBC FORMAT	01/12/06	MAM


## REVERSIBLE ROTATION - SINGLE VOLTAGE - TYPE KCP WITH CAPACITOR



REF. DIAG. - NONE

CONNECTION LABEL - 52X333135

	SIGNATURES	DATE
MODEL	B.L.J.	04/14/93
DETAIL	.	.
CHECKED	.	.
ENGRG	.	.
MFG	.	.
QUALITY	.	.
ISSUED	B.L.J.	04/14/93
MATERIAL	SOLID MODEL: 52A109207	



**REGAL-BELOIT CORPORATION**

**TITLE CONNECTION DIAGRAM**

**FMF: 5KCP33GNA335AX**

SIZE DRAWING **A**

SCALE: 1.000 REF. No: . SHEET 1 of 1

FOR ADDITIONAL INFO REFER TO:  
APPLIED PRACTICES  
DIMENSIONS ARE IN INCHES ✓

52A109207

REV 6