

PRODUCT INFORMATION PACKET

marathon®
Motors

Model No: 5KCP35KNB650U

Catalog No: P254

1/3 HP Instant Reversing Motor, 1 phase, 1800 RPM, 115 V, 56 Frame, ODP
Instant Reversing Motors



Regal and Marathon are trademarks of Regal Rexnord Corporation or one of its affiliated companies.
©2021 Regal Rexnord Corporation, All Rights Reserved. MC017097E

RegalRexnord



Nameplate Specifications

Output HP	0.33 Hp	Output KW	0.25 kW
Frequency	60 Hz	Voltage	115 V
Current	3.8 A	Speed	1625/1325 rpm
Service Factor	1	Phase	1
Efficiency	57.5 %	Power Factor	0
Duty	Continuous	Insulation Class	B
KVA Code	A	Frame	56
Enclosure	Drip Proof	Thermal Protection	MANUAL
Ambient Temperature	40 °C	Drive End Bearing Size	6203
Opp Drive End Bearing Size	6203	UL	Recognized
CSA	Yes	CE	N
Number of Speeds	1		

Technical Specifications

Electrical Type	Permanent Split Capacitor(PSC)	Starting Method	N/R
Poles	4	Rotation	Instant Reversible
Mounting	Resilient Base	Motor Orientation	ANY
Drive End Bearing	BALL	Opp Drive End Bearing	Ball
Frame Material	Rolled Steel	Overall Length	9.42 in
Frame Length	5.79 in	Shaft Diameter	0.630 in
Shaft Extension	1.88 in		
Outline Drawing	52A111717P1	Connection Drawing	52A109207

This is an uncontrolled document once printed or downloaded and is subject to change without notice. Date Created:10/06/2021

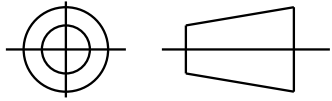
SHEET 1

REV 2

SIZE DRAWING NO. 52A111717

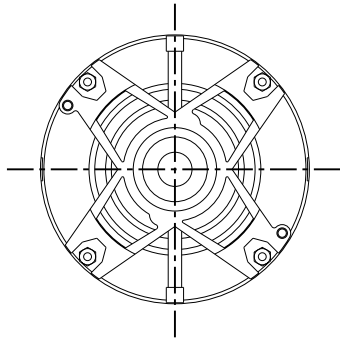
A

THIRD ANGLE PROJECTION



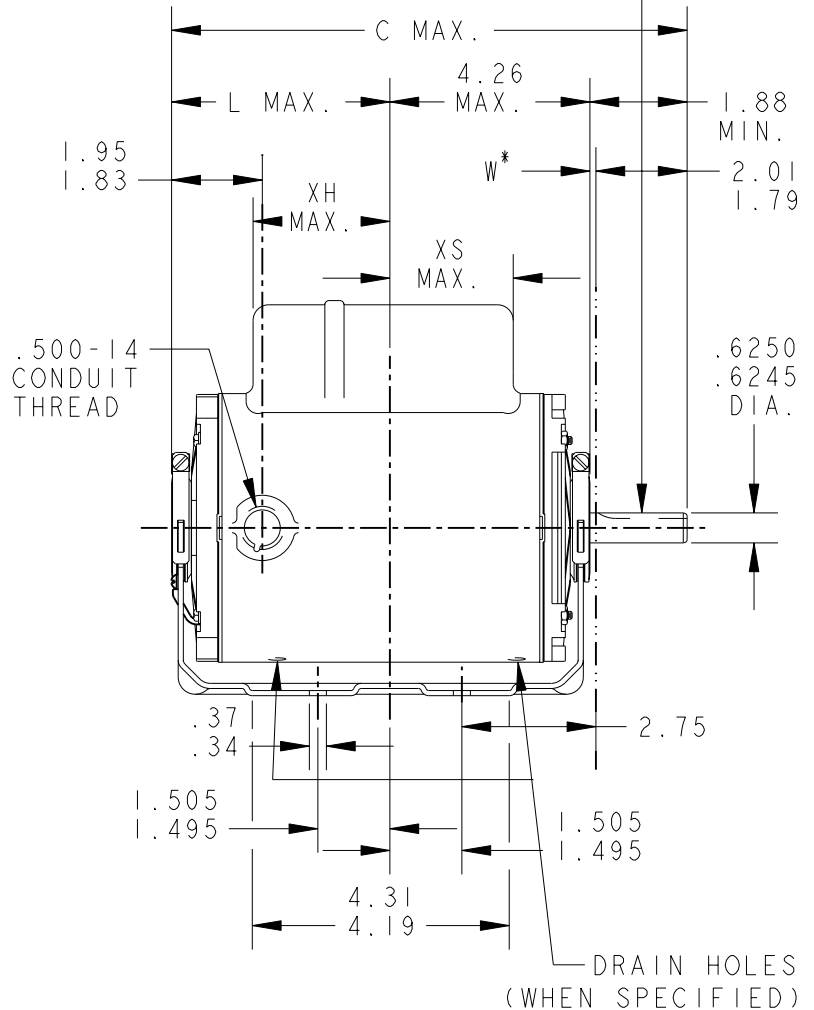
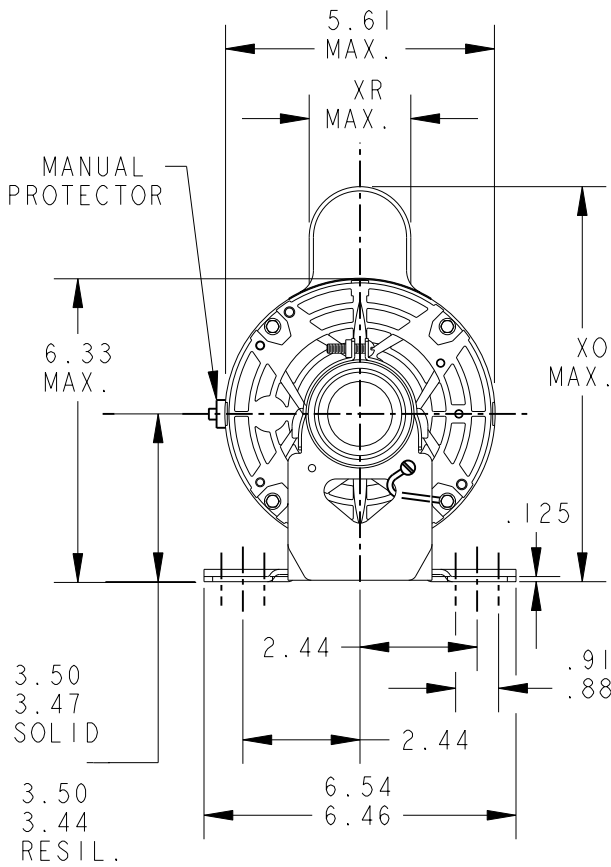
REVISIONS

REV.	DESCRIPTION	DATE	APPROVED
1	RBC FORMAT - NO CHGS	08/11/05	PRAVEEN.K
2	UPDATED AS PER ISAAC 05-2752	10/27/05	PRAVEEN.K



VIEW SHOWING
P.E. VENTILATION
OPENINGS


KEYWAY FOR .188 X
.188 X 1.32 LG. KEY



W* IS A CLEARANCE DUE TO VARIATION IN PARTS AND ASSEMBLY.

I	KCP	35	56	9.94	3.80	2.66	3.04	2.22	8.53				5.79
P	TYPE	GE SIZE	NEMA FR	C	L	XH	XS	XR	XO				SHELL REF.

		SIGNATURES	DATE
MODEL	DEBRAJ		08/04/05
DETAIL	DEBRAJ		08/04/05
CHECKED	.	.	.
ENGRG	.	.	.
MFG	.	.	.
FOR ADDITIONAL INFO REFER TO:	QUALITY	.	.
APPLIED PRACTICES	ISSUED	DEBRAJ	08/04/05
DIMENSIONS ARE IN INCHES ✓	SOLID MODEL: 52A111717		
MATERIAL			



REGAL-BELOIT CORPORATION

TITLE **OUTLINE**

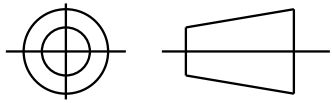
**FORM N - GENERAL PURPOSE MOTOR - DRIP PROOF-
SOLID OR RESIL.BASE - BALL OR SLEEVE BEARING**

SIZE DRAWING **A**

SCALE: 1.000 REF. No: . SHEET 1 of 1

SHEET 1
REV 6
52A109207

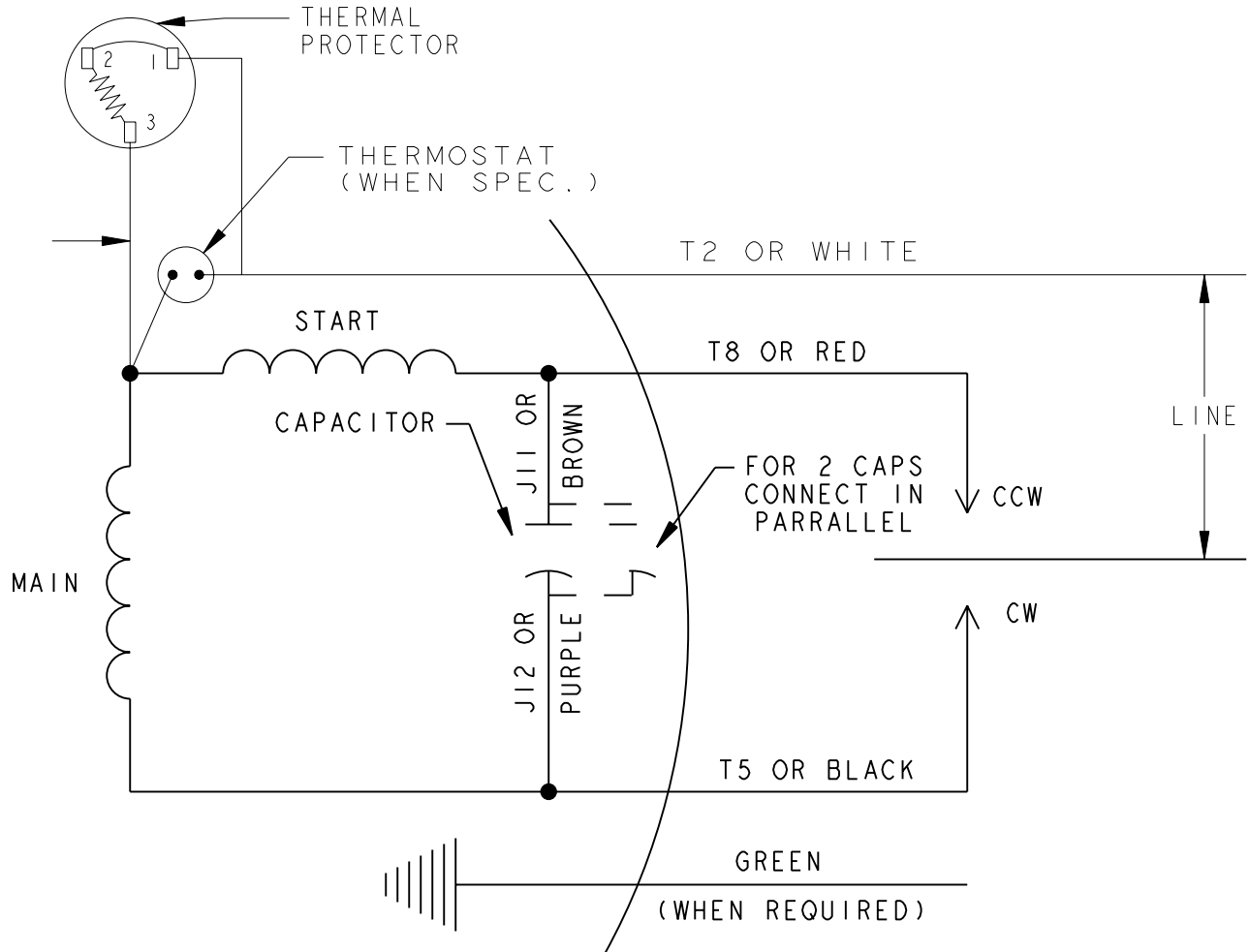
THIRD ANGLE PROJECTION



REVISIONS

REV.	DESCRIPTION	DATE	APPROVED
6	UPDATED TO RBC FORMAT	01/12/06	MAM


REVERSIBLE ROTATION - SINGLE VOLTAGE - TYPE KCP WITH CAPACITOR



REF. DIAG. - NONE

CONNECTION LABEL - 52X333135

	SIGNATURES	DATE
MODEL	B.L.J.	04/14/93
DETAIL	.	.
CHECKED	.	.
ENGRG	.	.
MFG	.	.
QUALITY	.	.
ISSUED	B.L.J.	04/14/93
MATERIAL	SOLID MODEL: 52A109207	



REGAL-BELOIT CORPORATION

TITLE CONNECTION DIAGRAM

FMF: 5KCP33GNA335AX

SIZE: A DRAWING

SCALE: 1.000 REF. No: . SHEET 1 of 1

FOR ADDITIONAL INFO REFER TO:
APPLIED PRACTICES
DIMENSIONS ARE IN INCHES ✓

52A109207

REV 6