

# PRODUCT INFORMATION PACKET

Model No: 5KC49PN0253

Catalog No: C1469

1 HP Instant Reversing Motor, 1 phase, 1800 RPM, 115/230 V, 56 Frame, ODP  
Instant Reversing Motors



Regal and Marathon are trademarks of Regal Rexnord Corporation or one of its affiliated companies.  
©2021 Regal Rexnord Corporation, All Rights Reserved. MC017097E

### Nameplate Specifications

Output HP	1 Hp	Output KW	0.75 kW
Frequency	60 Hz	Voltage	115/230 V
Current	13.6,6.8 A	Speed	1725 rpm
Service Factor	1.15	Phase	1
Efficiency	68 %	Power Factor	0
Duty	Continuous	Insulation Class	B
KVA Code	K	Frame	56
Enclosure	Drip Proof	Thermal Protection	N/R
Ambient Temperature	40 °C	Drive End Bearing Size	6203
Opp Drive End Bearing Size	6203	UL	Recognized
CSA	Yes	CE	N
Number of Speeds	1		

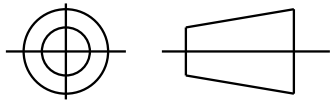
### Technical Specifications

Electrical Type	Capacitor Start Induction Run	Starting Method	SM
Poles	4	Rotation	Instant Reversible
Mounting	Rigid Base	Motor Orientation	ANY
Drive End Bearing	BALL	Opp Drive End Bearing	Ball
Frame Material	Rolled Steel	Overall Length	11.38 in
Frame Length	7.15 in	Shaft Diameter	0.630 in
Shaft Extension	1.88 in		
Connection Drawing	52A106888	Outline Drawing	52A107886P2

This is an uncontrolled document once printed or downloaded and is subject to change without notice. Date Created:10/06/2021

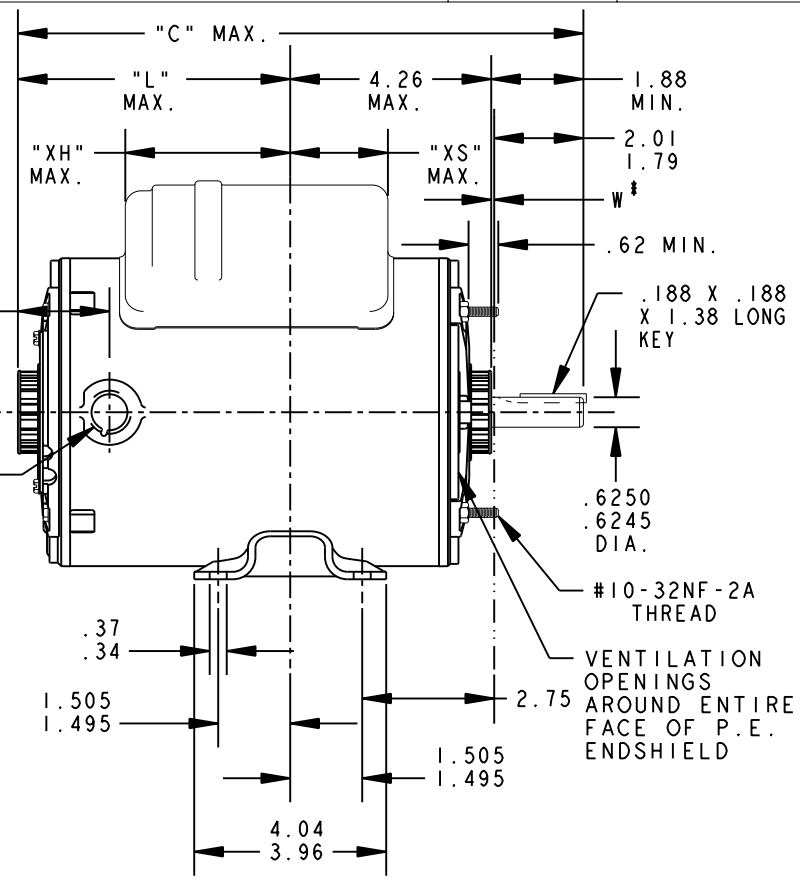
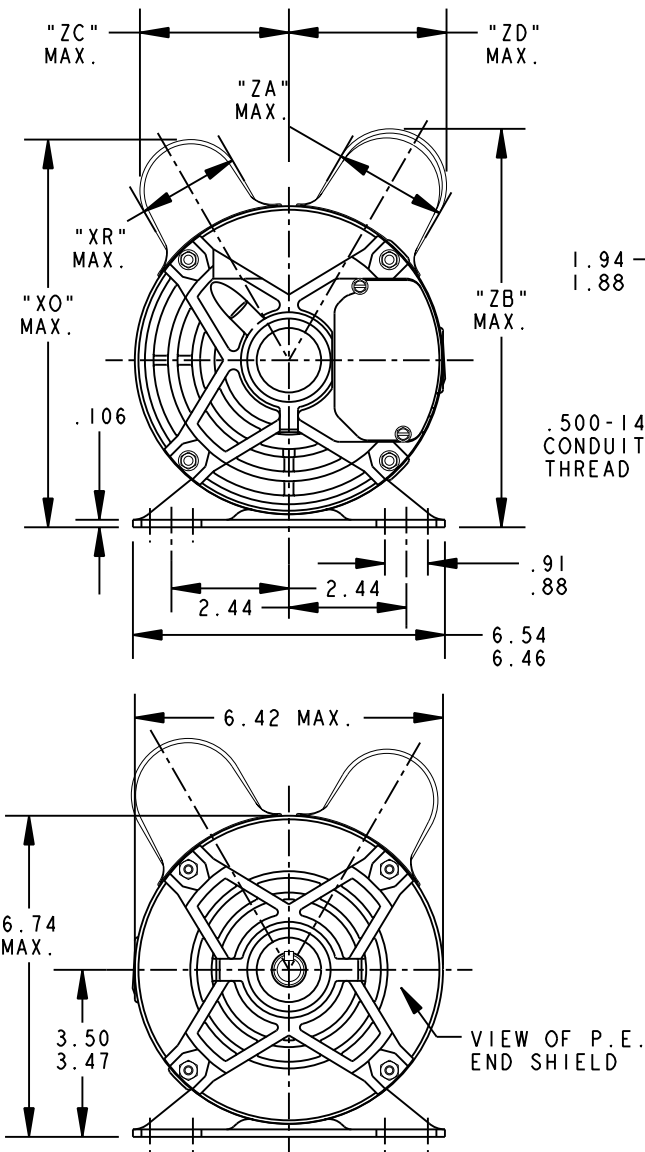
SHEET  
REV  
52A107886 2  
SIZE DRAWING NO.  
A

THIRD ANGLE PROJECTION



REVISIONS


REV.	DESCRIPTION	DATE	APPROVED
2	CHG TO RBC FORMAT PER ISO5-1777	03/08/06	SUDHA



# W IS A VARIABLE CLEARANCE DUE TO VARIATIONS IN PARTS AND ASSEMBLY

P	TYPE	GE SIZE	NEMA FR	"C"	"L"	"XH"	"XO"	"XR"	"XS"	"ZA"	"ZB"	"ZC"	"ZD"	MIN. SHELL
2	KC	49	56	11.38	5.22	3.16	8.18	2.15	2.41	2.40	8.40	3.20	3.38	7.15
1	KC	46	56	10.78	4.62	2.81	8.18	2.15	2.81	2.40	8.40	3.20	3.38	6.55

SIGNATURES		DATE
MODEL	MA MARKS	01/21/94
DETAIL	.	.
CHECKED	.	.
ENGRG	.	.
MFG	.	.
QUALITY	.	.
ISSUED	MA MARKS	01/21/94
SOLID MODEL: 52A107886		



**REGAL-BELOIT CORPORATION**

**TITLE**

**OUTLINE**

**GENERAL PURPOSE MOTOR DRIP PROOF - BALL BEARING - WELD BASE FMF - 40 FRAME REDESIGN (5KC46GN0251Y)**

SIZE DRAWING  
A

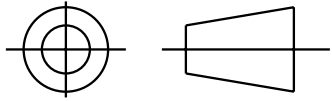
SCALE: 0.250 REF. No: . SHEET 1 of 1

FOR ADDITIONAL INFO REFER TO:  
APPLIED PRACTICES  
DIMENSIONS ARE IN INCHES ✓  
MATERIAL

52A107886  
REV 2

SHEET 1  
 REV 2  
 52A106888  
 SIZE DRAWING NO. A

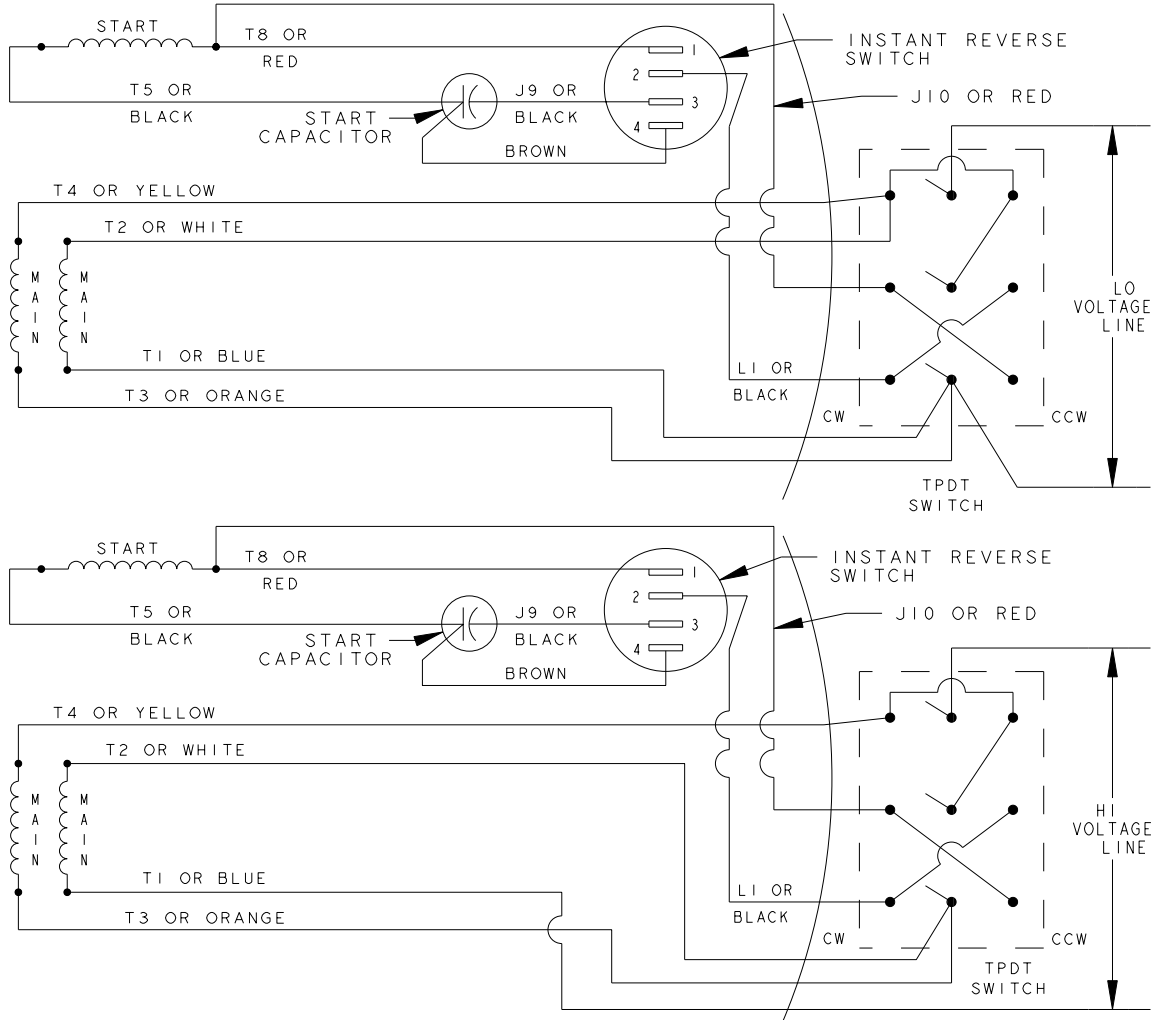
THIRD ANGLE PROJECTION



REVISIONS

REV.	DESCRIPTION	DATE	APPROVED
2	UPDATED TO RBC FORMAT	01/11/06	MAM

**INSTANTLY REVERSIBLE STERNS IR SWITCH**  
**DUAL VOLTAGE - TYPE KC**




- NOTE#1 - WHEN MORE THAN ONE CAPACITOR IS USED, CONNECT IN PARALLEL.
- NOTE#2 - DO NOT APPLY HI-POT VOLTAGE FROM LEAD TO LEAD. TIE ALL LEADS TOGETHER AND HI-POT TO GROUND. IF HI-POT LEAD TO LEAD IS PERFORMED, DISCONNECT SWITCH PRIOR TO HI-POT OPERATION. FAILURE TO DO THIS COULD RESULT IN ELECTRONIC COMPONENT IN S.S. SWITCH.

REF. DIAG. - NONE

CONNECTION LABEL - 52X333067

SIGNATURES		DATE
MODEL	M.D.P.	06/17/92
DETAIL	.	.
CHECKED	.	.
ENGRG	.	.
MFG	.	.
QUALITY	.	.
ISSUED	M.D.P.	06/17/92
SOLID MODEL: 52A106888		



**REGAL-BELOIT CORPORATION**

**TITLE**  
**CONNECTION DIAGRAM**

**FMF: 5KC35HNA323**

SIZE: A DRAWING: **52A106888** REV: **2**

SCALE: 1.000 REF. No: SHEET 1 of 1