

PRODUCT INFORMATION PACKET

Model No: 5KC39PN5105X

Catalog No: C1083A

3/4 HP Jet Pump Motor, 1 phase, 3600 RPM, 115/230 V, 56C Frame, ODP
Jet Pump Motors



Regal and Marathon are trademarks of Regal Rexnord Corporation or one of its affiliated companies.
©2021 Regal Rexnord Corporation, All Rights Reserved. MC017097E



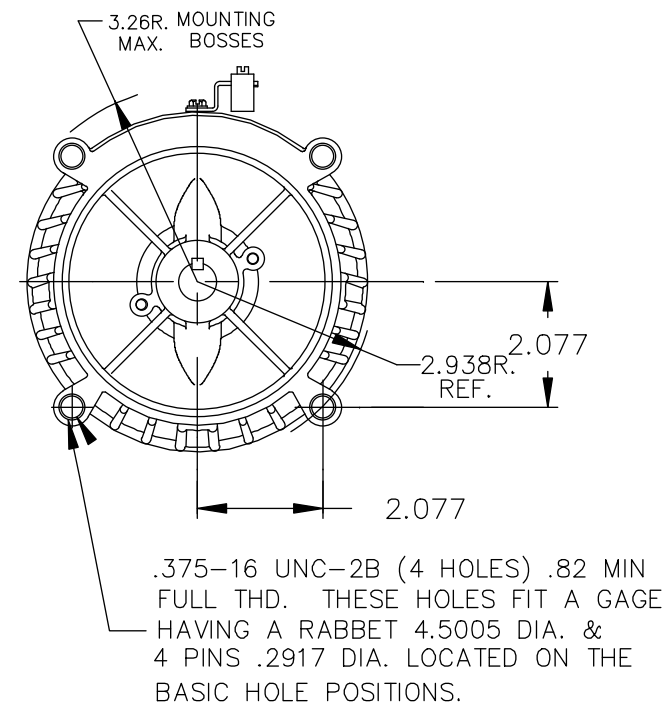
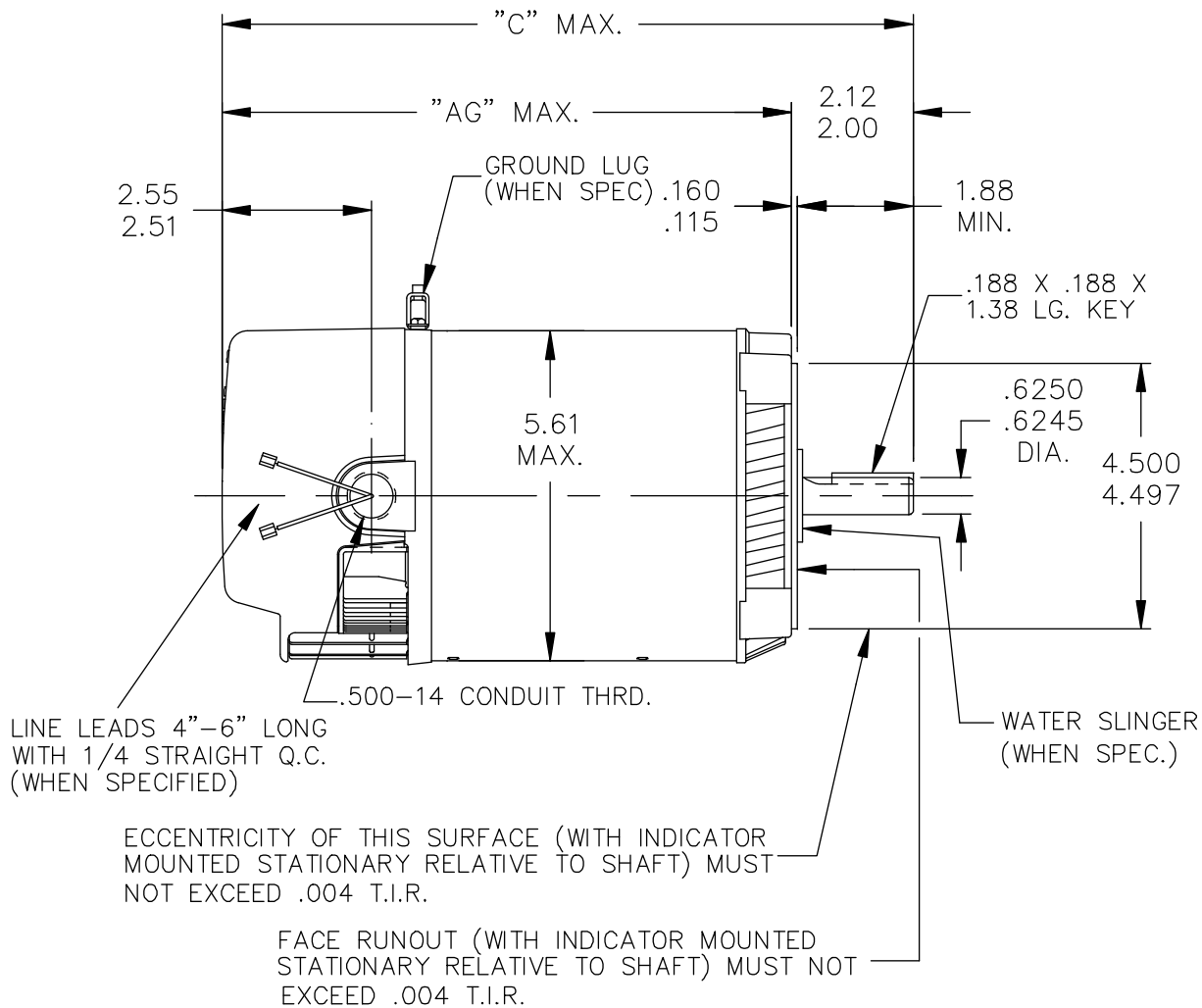
Nameplate Specifications

Output HP	0.75 Hp	Output KW	0.56 kW
Frequency	60 Hz	Voltage	115/230 V
Current	13.0,6.5 A	Speed	3450 rpm
Service Factor	1.5	Phase	1
Efficiency	69.5 %	Power Factor	0
Duty	Continuous	Insulation Class	B
KVA Code	N	Frame	56C
Enclosure	Drip Proof	Thermal Protection	AUTO
Ambient Temperature	50 °C	Drive End Bearing Size	6203
Opp Drive End Bearing Size	6203	UL	Recognized
CSA	Yes	CE	N
Number of Speeds	1		

Technical Specifications

Electrical Type	Capacitor Start Induction Run	Starting Method	SM
Poles	2	Rotation	Clockwise
Mounting	Round	Motor Orientation	ANY
Drive End Bearing	LOCKED	Opp Drive End Bearing	Ball
Frame Material	Rolled Steel	Overall Length	13.47 in
Frame Length	6.87 in	Shaft Diameter	0.630 in
Shaft Extension	1.88 in		
Connection Drawing	52A106889	Outline Drawing	52A107160P3

This is an uncontrolled document once printed or downloaded and is subject to change without notice. Date Created:10/06/2021



4	KC	39	56C	15.10	12.98	8.50
3	KC	39	56C	13.47	11.35	6.87
2	KC	33	56C	12.01	9.89	5.41
1	KC,KH	39	56C	11.03	8.91	4.43
P	TYPE	RBC SIZE	NEMA FR	C	AG	SHELL REF.

NO.	REVISION	BY & DATE	TOLERANCES UNLESS SPECIFIED		CHK	ANG	FINISH	CAD FILE	SIZE	DRAWING NO.	REV.		
			DEC.	INCHES									
10	JET/POOL IS REPLACED BY JET PUMP PER ECO-0033464	PVR 05/15/13	DEC.	INCHES									
9	CHG TO RBC FORMAT PER ISO5-1777	SUD 02/21/06	.X	±.1									
8	ADDED PART #4.	MDP 10/24/95	.XX	±.03									
6	REDRAWN BY 2M SOFTWARE CO.	CCP 03/10/95	.XXX	±.005									
5	REV'D ORIENTATION OF GROUND LUG	BLJ 11/11/91	.XXXX	±.0005									
				±1/2'									
THIS DRAWING IN DESIGN AND DETAIL IS OUR PROPERTY AND MUST NOT BE USED EXCEPT IN CONNECTION WITH OUR WORK ALL RIGHTS OF DESIGN AND INVENTION ARE RESERVED THIS IS AN ELECTRONICALLY GENERATED DOCUMENT - DO NOT SCALE THIS PRINT								RFP					
								DIST					
								CAD FILE	52A107160	SIZE	A	DRAWING NO.	52A107160



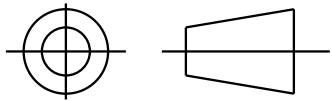
REGAL-BELOIT CORPORATION

TITLE OUTLINE
2 COMPARTMENT UPGRADE - 56C - JET PUMP

DRAWN BJS 06/13/91
CHK
APPD CCP 03/10/95
SCALE 3=8
REF
FMF
PREV

SHEET 1
 REV 2
 52A106889
 SIZE DRAWING NO. A

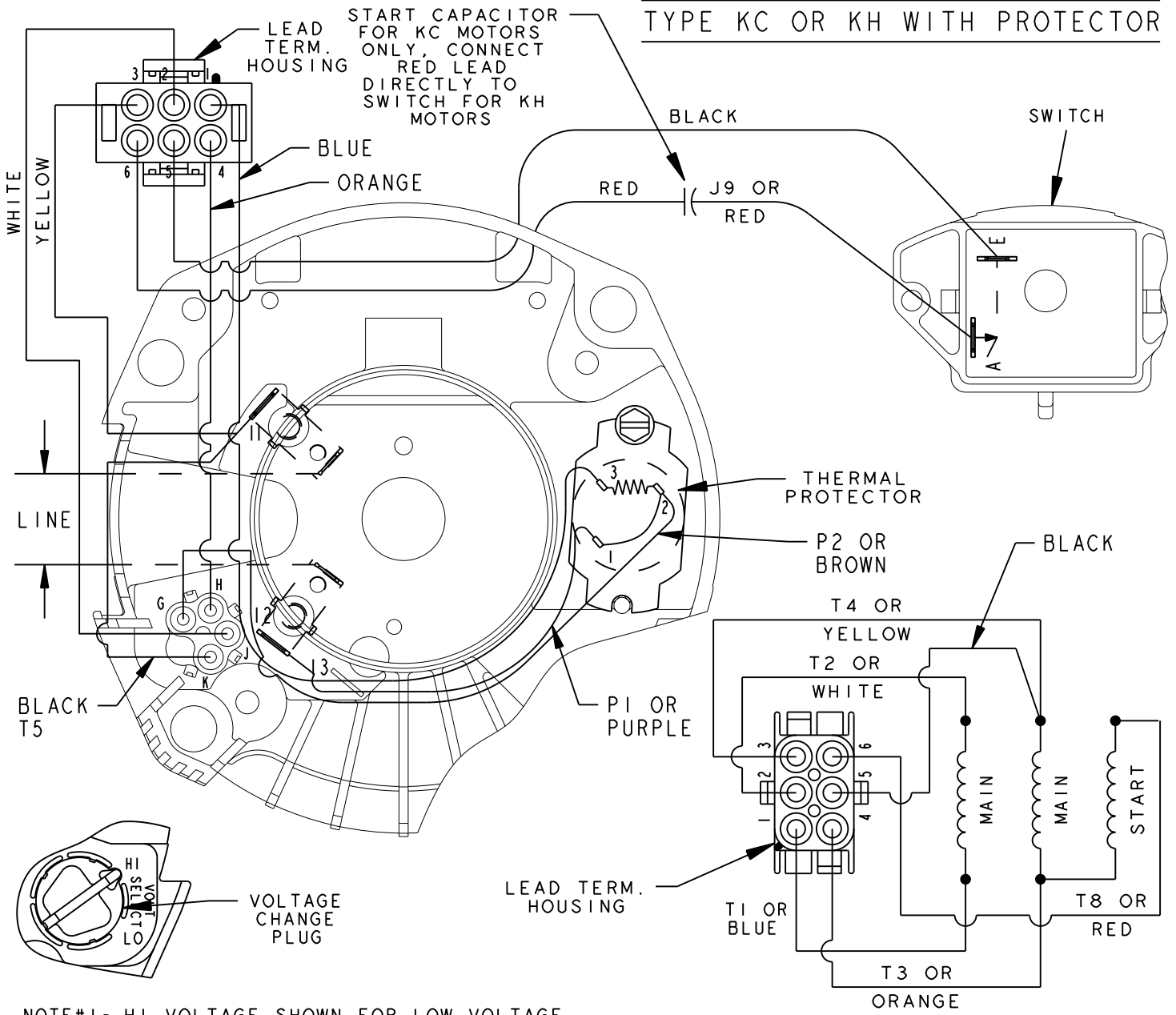
THIRD ANGLE PROJECTION



REVISIONS

REV.	DESCRIPTION	DATE	APPROVED
2	UPDATED TO RBC FORMAT	01/11/06	MAM

**SET ROTATION - DUAL VOLTAGE
TYPE KC OR KH WITH PROTECTOR**



NOTE#1- HI VOLTAGE SHOWN FOR LOW VOLTAGE ROTATE VOLTAGE CHANGE PLUG TO LO POSITION.

CONNECTION LABEL - 52X333027

SIGNATURES		DATE
MODEL	B.L.J.	07/21/92
DETAIL	.	.
CHECKED	.	.
ENGRG	.	.
MFG	.	.
QUALITY	.	.
ISSUED	B.L.J.	07/21/92
SOLID MODEL:	52A106889	

FOR ADDITIONAL INFO REFER TO:
 APPLIED PRACTICES
 DIMENSIONS ARE IN INCHES ✓
 MATERIAL



REGAL-BELOIT CORPORATION

TITLE		CONNECTION DIAGRAM	
FMF: 2 COMPARTMENT DUAL VOLT, SET ROTATION			
SIZE	DRAWING	52A106889	REV
A			2
SCALE:	1.000	REF. No:	SHEET 1 of 1