

PRODUCT INFORMATION PACKET

Model No: 5KC36JN267

Catalog No: C219

.5 HP General Purpose Motor, 1 phase, 3600 RPM, 115/230 V, 48 Frame, ODP
Miscellaneous



Regal and Marathon are trademarks of Regal Rexnord Corporation or one of its affiliated companies.
©2021 Regal Rexnord Corporation, All Rights Reserved. MC017097E



Nameplate Specifications

Output HP	0.50 Hp	Output KW	0.37 KW
Frequency	60 Hz	Voltage	115/230 V
Current	7.6 A	Speed	3450 rpm
Service Factor	1.25	Phase	1
Efficiency	62 %	Power Factor	0
Duty	Continuous	Insulation Class	B
KVA Code	L	Frame	48
Enclosure	Drip Proof	Thermal Protection	N/R
Ambient Temperature	40 °C	Drive End Bearing Size	6203
Opp Drive End Bearing Size	6203	UL	Recognized
CSA	Y	CE	N
Number of Speeds	1		

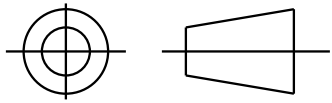
Technical Specifications

Electrical Type	Capacitor start(CSIR)	Starting Method	SM
Poles	2	Rotation	Counterclockwise/Clockwise
Mounting	Resilient Base	Motor Orientation	Any
Drive End Bearing	Ball	Opp Drive End Bearing	Ball
Overall Length	10.00 in	Frame Length	6.22 in
Shaft Extension	.500 X 1.50 FLAT in		
Connection Drawing	52A105381AA	Outline Drawing	52A101469P3

This is an uncontrolled document once printed or downloaded and is subject to change without notice. Date Created:10/06/2021

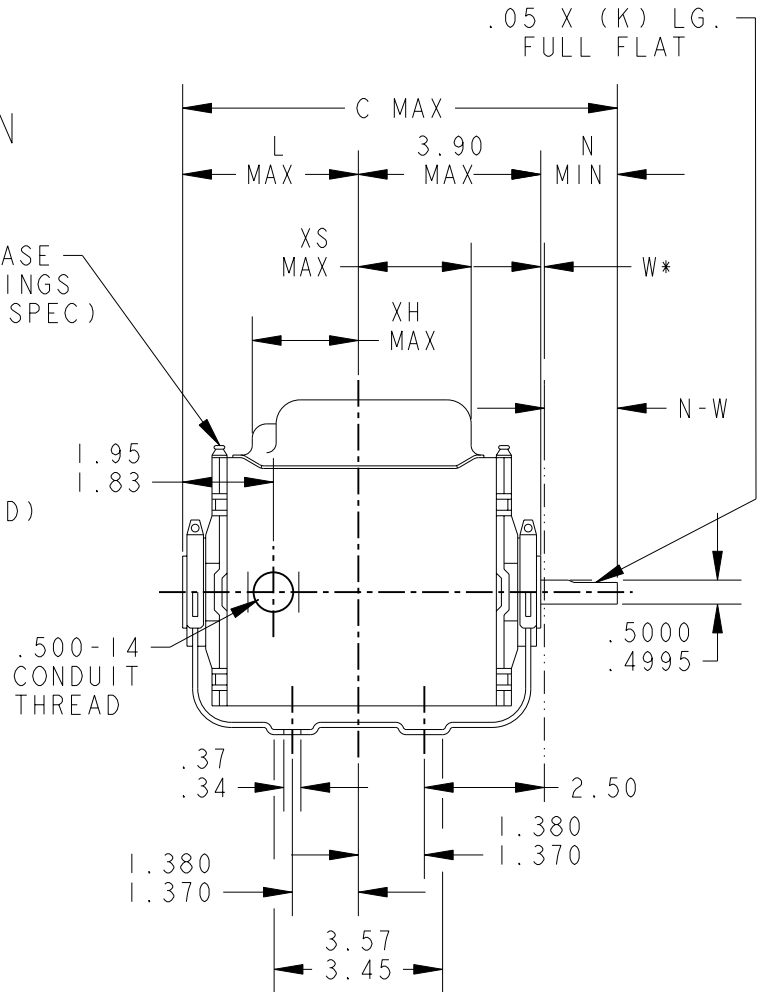
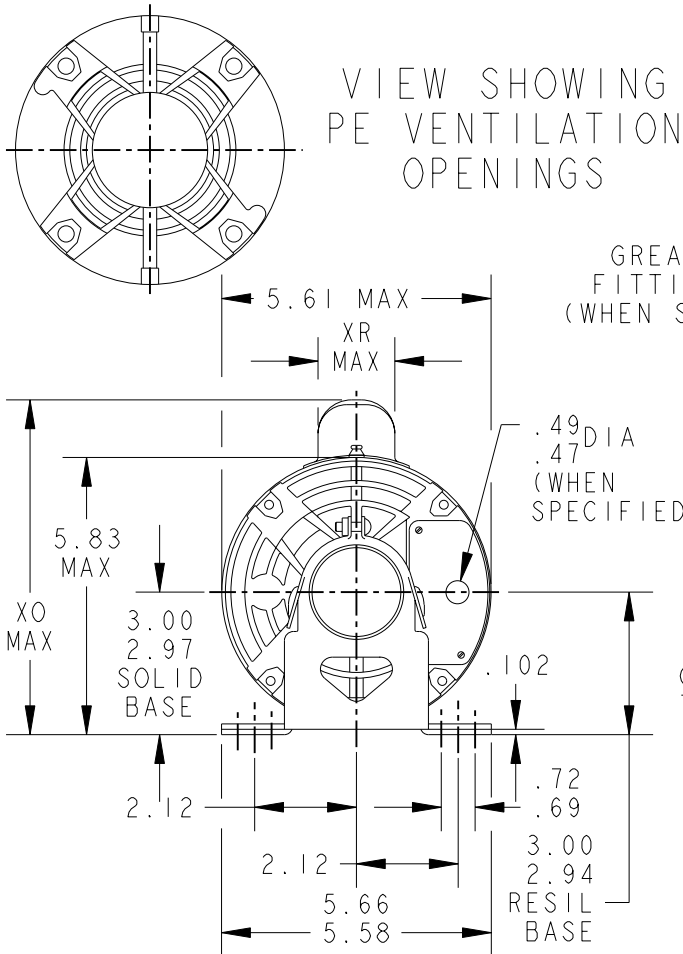
SHEET 1
REV 10
52A101469
SIZE DRAWING NO. A

THIRD ANGLE PROJECTION



REVISIONS

REV.	DESCRIPTION	DATE	APPROVED
9	REDRAWN NO CHANGE T196-22390	07/10/96	MDP
10	CHG TO RBC FORMAT PER IS 05-1777	12/15/05	GOVARDAN



*W IS A CLEARANCE DUE TO VARIATION IN PARTS & ASSEMBLY.

7	KC	38	48	11.00	5.65	4.02	7.31	1.60	1.75	1.50	1.63/1.41	1.16
6	KC	35	48Z	10.32	4.22	2.59	7.93	2.22	1.97	2.25	2.38/2.16	1.91
5	KC	36	48	10.00	4.65	3.02	7.93	2.22	1.22	1.50	1.63/1.41	1.16
4	KC	37	48	10.40	5.05	3.42	7.31	1.60	2.35	1.50	1.63/1.41	1.16
3	KC	36	48	10.00	4.65	3.02	7.31	1.60	2.35	1.50	1.63/1.41	1.16
2	KC	35	48	9.57	4.22	2.59	7.31	1.60	1.97	1.50	1.63/1.41	1.16
1	KC	33	48	9.19	3.84	2.21	7.31	1.60	2.35	1.50	1.63/1.41	1.16

PT	TYPE	GE SIZE	NEMA FR	C	L	XH	XO	XR	XS	N	N-W	K
----	------	---------	---------	---	---	----	----	----	----	---	-----	---

SIGNATURES		DATE
MODEL	GLB	02/18/75
DETAIL	.	.
CHECKED	.	.
ENGRG	.	.
MFG	.	.
QUALITY	.	.
ISSUED	MDP	07/10/96
SOLID MODEL: 52A101469		

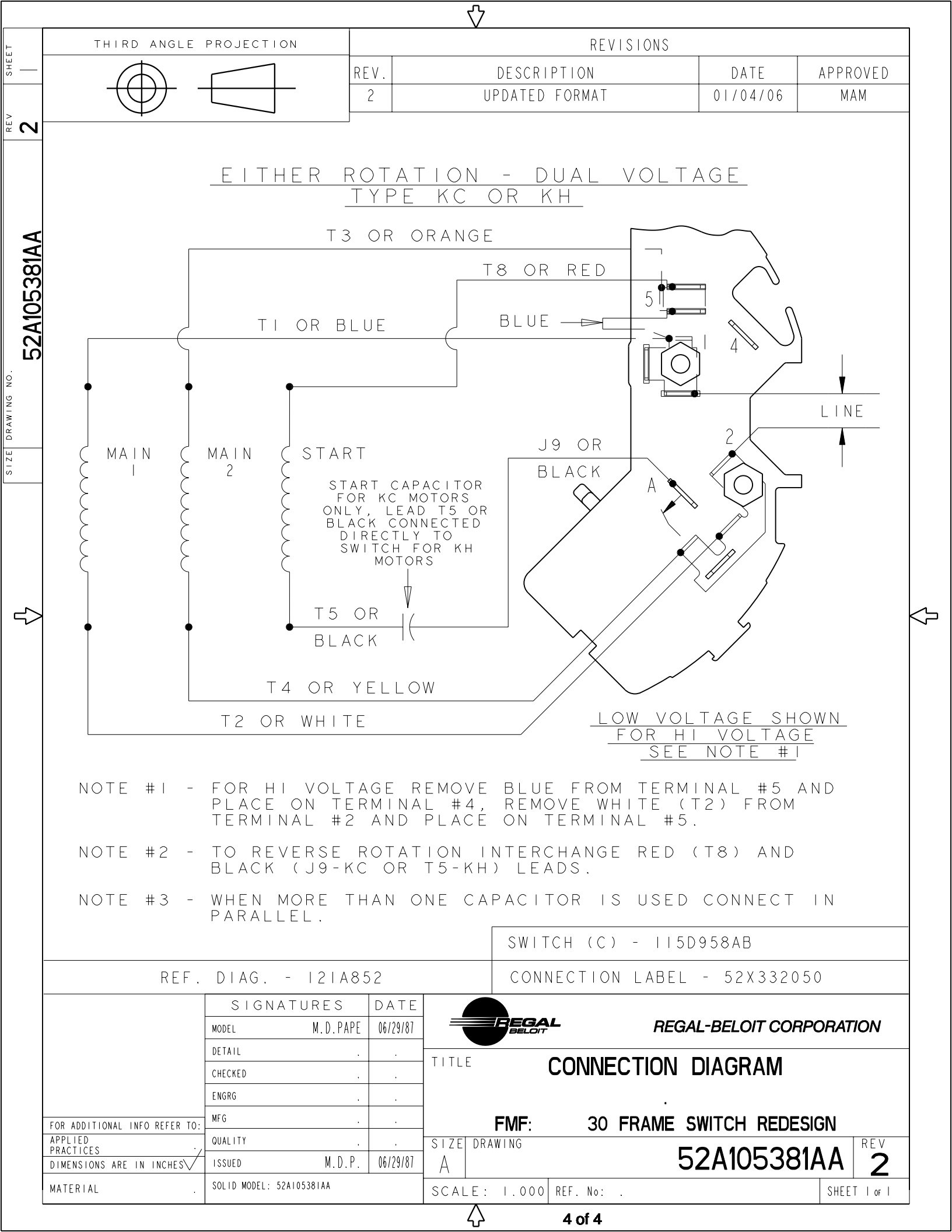


REGAL-BELOIT CORPORATION

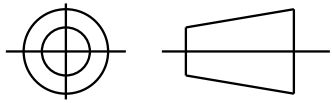
TITLE
OUTLINE
FORM N - GENERAL PURPOSE MOTOR - DRIP PROOF -
SOLID OR RESIL BASE - BALL OR SLEEVE BEARING

SIZE DRAWING	A	52A101469	REV 10
SCALE: 1.000	REF. No: .	SHEET 1 of 1	

FOR ADDITIONAL INFO REFER TO:
APPLIED PRACTICES
DIMENSIONS ARE IN INCHES ✓
MATERIAL



THIRD ANGLE PROJECTION



REVISIONS

REV.	DESCRIPTION	DATE	APPROVED
2	UPDATED FORMAT	01/04/06	MAM

EITHER ROTATION - DUAL VOLTAGE
TYPE KC OR KH

T3 OR ORANGE

T8 OR RED

T1 OR BLUE

BLUE

MAIN 1

MAIN 2

START

START CAPACITOR
FOR KC MOTORS
ONLY, LEAD T5 OR
BLACK CONNECTED
DIRECTLY TO
SWITCH FOR KH
MOTORS

T5 OR
BLACK

J9 OR
BLACK

T2 OR WHITE

LINE

LOW VOLTAGE SHOWN
FOR HI VOLTAGE
SEE NOTE #1


- NOTE #1 - FOR HI VOLTAGE REMOVE BLUE FROM TERMINAL #5 AND PLACE ON TERMINAL #4, REMOVE WHITE (T2) FROM TERMINAL #2 AND PLACE ON TERMINAL #5.
- NOTE #2 - TO REVERSE ROTATION INTERCHANGE RED (T8) AND BLACK (J9-KC OR T5-KH) LEADS.
- NOTE #3 - WHEN MORE THAN ONE CAPACITOR IS USED CONNECT IN PARALLEL.

SWITCH (C) - 115D958AB

REF. DIAG. - 121A852

CONNECTION LABEL - 52X332050

	SIGNATURES	DATE
MODEL	M. D. PAPE	06/29/87
DETAIL	.	.
CHECKED	.	.
ENGRG	.	.
MFG	.	.
FOR ADDITIONAL INFO REFER TO:		
APPLIED PRACTICES	QUALITY	.
DIMENSIONS ARE IN INCHES ✓	ISSUED	M. D. P. 06/29/87
MATERIAL	SOLID MODEL: 52A105381AA	



REGAL-BELOIT CORPORATION

TITLE
CONNECTION DIAGRAM

FMF: 30 FRAME SWITCH REDESIGN

SIZE DRAWING
A

SCALE: 1.000 REF. No: .

52A105381AA

REV **2**

SHEET 1 of 1