

# PRODUCT INFORMATION PACKET

**marathon®**  
Motors

Model No: 5011LXVFS6544  
Catalog No: Y936  
400,1800,TEFC,5011LX,3/60/2300/4000  
Medium And High Voltage NEMA Motors



Regal and Marathon are trademarks of Regal Rexnord Corporation or one of its affiliated companies.  
©2021 Regal Rexnord Corporation, All Rights Reserved. MC017097E

**RegalRexnord**



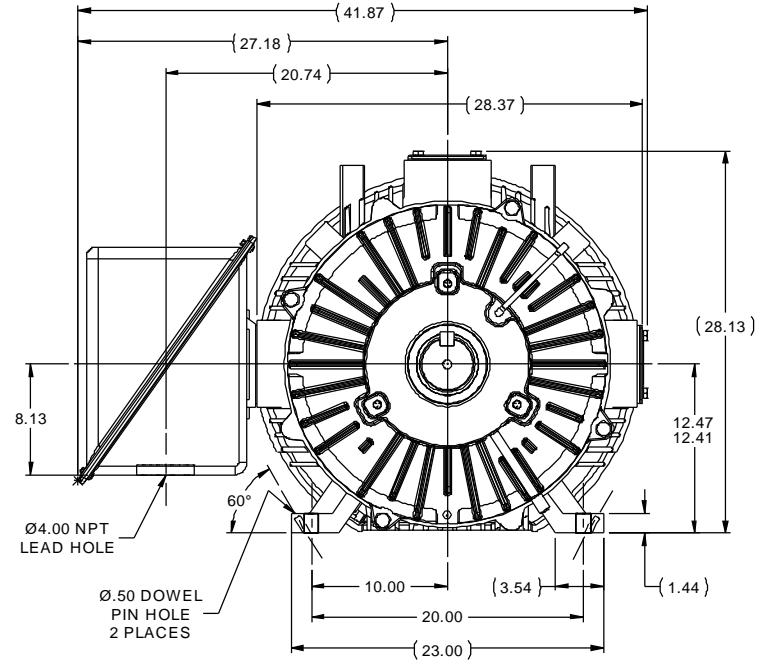
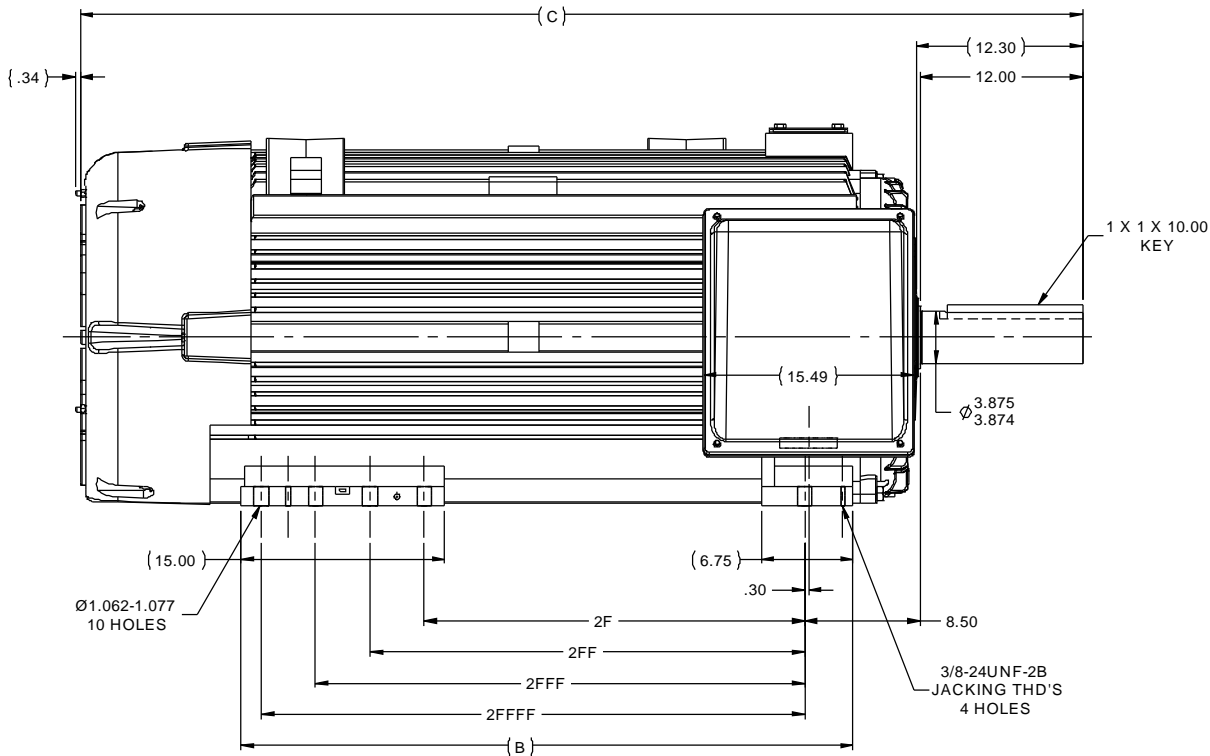
### Nameplate Specifications

Output HP	<b>400 Hp</b>	Output KW	<b>300.0 kW</b>
Frequency	<b>60 Hz</b>	Voltage	<b>2300/4000 V</b>
Current	<b>92.0/53.0 A</b>	Speed	<b>1780 rpm</b>
Service Factor	<b>1.15</b>	Phase	<b>3</b>
Efficiency	<b>95.4 %</b>	Power Factor	<b>85</b>
Duty	<b>Continuous</b>	Insulation Class	<b>H</b>
Design Code	<b>B</b>	KVA Code	<b>G</b>
Frame	<b>5011LX</b>	Enclosure	<b>Totally Enclosed Fan Cooled</b>
Thermal Protection	<b>No</b>	Ambient Temperature	<b>40 °C</b>
Drive End Bearing Size	<b>6324</b>	Opp Drive End Bearing Size	<b>6318</b>
UL	<b>No</b>	CSA	<b>Y</b>
CE	<b>N</b>	IP Code	<b>55</b>
Number of Speeds	<b>1</b>		

### Technical Specifications

Electrical Type	<b>Squirrel Cage Induction Run</b>	Starting Method	<b>Across The Line</b>
Poles	<b>4</b>	Rotation	<b>Reversible</b>
Resistance Main	<b>.144 Ohms</b>	Mounting	<b>Rigid Base</b>
Motor Orientation	<b>Horizontal</b>	Drive End Bearing	<b>Ball</b>
Opp Drive End Bearing	<b>Ball</b>	Frame Material	<b>Cast Iron</b>
Shaft Type	<b>LX</b>	Overall Length	<b>73.80 in</b>
Frame Length	<b>49.50 in</b>	Shaft Diameter	<b>3.875 in</b>
Shaft Extension	<b>12.3 in</b>	Assembly/Box Mounting	<b>F1/F2 CAPABLE</b>
Outline Drawing	<b>B-SS518002-4950</b>	Connection Drawing	<b>A-EE7304</b>

This is an uncontrolled document once printed or downloaded and is subject to change without notice. Date Created:10/06/2021

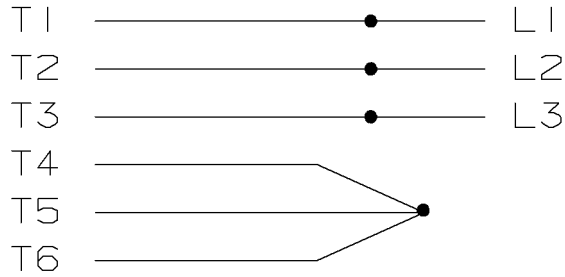


- NOTE:  
 1. CONDUIT BOX CAN BE ROTATED IN 90 ° STEPS.  
 2. NAMEPLATES TO BE READ FROM CONDUIT BOX SIDE OF THE MOTOR.  
 3. MOTOR WEIGHT (MAXIMUM) = 5,500 LBS.

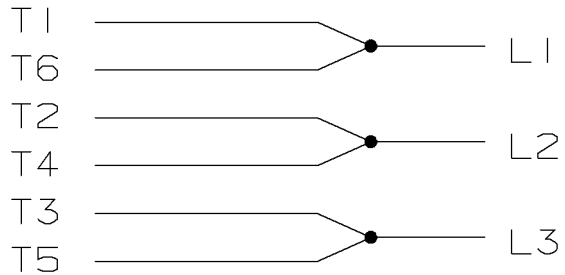
DASH	FRAME	B	C	2F	2FF	2FFF	2FFFF
1950	5009LX	45.05	73.80	28.00	---	---	---
4950	5010LX	45.05	73.80	---	32.00	---	---
4950	5011LX	45.05	73.80	---	---	36.00	---
4950	5012LX	45.05	73.80	---	---	---	40.00

		TOLERANCES UNLESS SPECIFIED		marathon electric		DRAWN	DMT 10-16-2000
		DEC INCHES				CHK	JHL 10-17-2000
4	DRAWN IN SOLIDWORKS	TDB	08-16-2013	x	±.1	APPR	JES 10-17-2000
3	ADDED .50" MATERIAL TO C'BOX MTG. AREA CN 37629	MSG	06-26-2004	ML	xx ±.03	TITLE	OUTLINE - TEFC
2	REV'D C'BOX LEAD HOLE - WAS Ø3.50 NPT MU48182	KL	09-10-2003	xxx	±.005		SCALE 7:64
1	NEW DRAWING - DEV. ENG. CN 30224	DMT	10-17-2000	xxxx	±.0005	MAT'L	5009-12LX FR. - F1/F2/F3 MT.
NO	REVISION	BY & DATE	CHK	ANG	±7'30"	FINISH	REF
		THIRD ANGLE PROJECTION		RFP	ANG	PREV	FMF
				NETWORK FILE NAME SS518002		SIZE	PAGE OF
						<b>B</b>	4
						DRAWING NO	REV
						<b>SS518002</b>	<b>4</b>

HIGH VOLTAGE  
"Y" CONNECTION

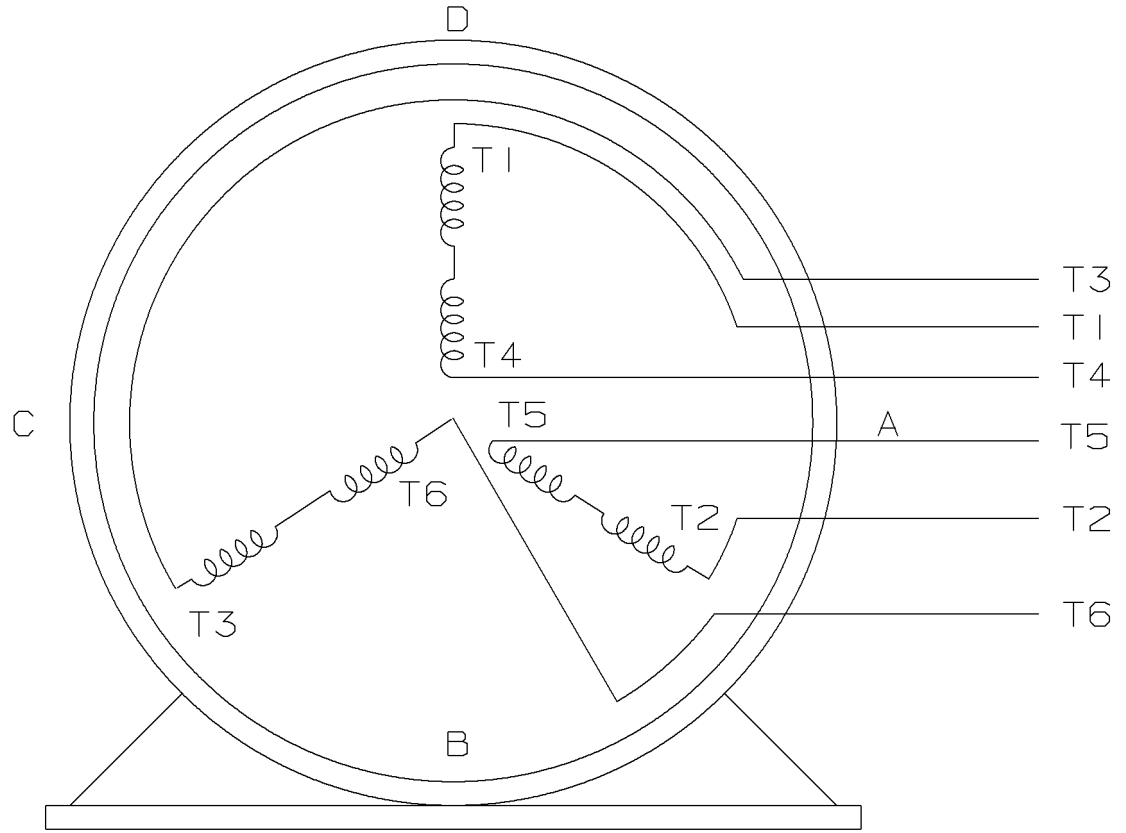


LOW VOLTAGE - DELTA



THREE PHASE - DUAL VOLTAGE

A- EE7304



VIEW OF TERMINAL END

T2DL  
T2C  
T4CC  
T4AY  
T4AZ  
WP =T4J1

				✓ MAX. SURFACE ROUGHNESS UNLESS NOTED OTHERWISE	UNLESS OTHERWISE SPECIFIED DIMENSIONS ARE IN INCHES TOL. ON XX±.02 XXX±.005 XXXX±.0005 ANGLES± 7'30"		
				MATL SPEC		DRAWN BY LZ	01-04-1994
				FINISH		CHKD BY ML	01-18-1994
9	01-24-1994	REDRAWN ON CADD	LZ	REFERENCE DRW.	WAUSAU, WISCONSIN 54401	APPD BY GK	01-18-1994
REV	DATE	CHANGE	NAME	PART NAME CONNECTION DIAGRAM THREE PHASE, DUAL VOLTAGE			DRWG NO A- EE7304

SHOP BOOK

PURCHASED

DISTRIBUTION - WA - LB - WP - LM - BR

CADD FILE NO.

EE7304

CERTIFICATION DATA SHEET

Model#: 5011LXVFS6544 AE WINDING#: V511408 NONE 0  
 CONN. DIAGRAM: A-EE7304 ASSEMBLY: F1/F2 CAPABLE  
 OUTLINE: B-SS518002-4950

TYPICAL MOTOR PERFORMANCE DATA

HP	KW	SYNC. RPM	F.L. RPM	FRAME	ENCLOSURE	KVA CODE	DESIGN
400	300	1800	1780	5011LX	TEFC	G	B

PH	Hz	VOLTS	FL AMPS	START TYPE	DUTY	INSL	S.F	AMB°C	ELEVATION
3	60	2300/4000	92/53	ACROSS THE LINE	CONTINUOUS	H1	1.15	40	3300

FULL LOAD EFF: 95.4	3/4 LOAD EFF: 95.4	1/2 LOAD EFF: 94.1	GTD. EFF	ELEC. TYPE	NO LOAD AMPS
FULL LOAD PF: 85	3/4 LOAD PF: 82	1/2 LOAD PF: 75	95	SQ CAGE IND RUN	30.5 / 17.5

F.L. TORQUE	LOCKED ROTOR AMPS	L.R. TORQUE	B.D. TORQUE	F.L. RISE°C
1178 LB-FT	580 / 333.5	2100 LB-FT 178	3150 LB-FT 267	90

SOUND PRESSURE @ 3 FT.	SOUND POWER	ROTOR WK^2	MAX. WK^2	SAFE STALL TIME	STARTS / HOUR	APPROX. MOTOR WGT
88 dBA	98 dBA	180 LB-FT^2	- LB-FT^2	20 SEC.	-	4650 LBS.

\*\*\* SUPPLEMENTAL INFORMATION \*\*\*

DE BRACKET TYPE	ODE BRACKET TYPE	MOUNT TYPE	ORIENTATION	SEVERE DUTY	HAZARDOUS LOCATION	DRIP COVER	SCREENS	PAINT
STANDARD	STANDARD	RIGID	HORIZONTAL	PREMIUM SEVERE DUTY	NONE	FALSE	NONE	BLUE (EPOXY)

BEARINGS		GREASE	SHAFT TYPE	SPECIAL DE	SPECIAL ODE	SHAFT MATERIAL	FRAME MATERIAL
DE	OPE						
BALL	BALL	POLYREX EM	LX	NONE	NONE	4140 STRESSPROOF (C-214)	CAST IRON
6324	6318						

THERMO-PROTECTORS				THERMISTORS	CONTROL	SPACE /n HEATERS
THERMOSTATS	PROTECTORS	WDG RTDs	BRG RTDs			
NONE	NOT	NONE	NONE	NONE	FALSE	NONE VOLTS

If Inverter equals NONE, contact factory for further information

\*  
N  
O  
T  
E  
S  
\*

INVERTER TORQUE: NONE
INV. HP SPEED RANGE: NONE
ENCODER: NONE
NONE NONE
NONE NONE PPR
BRAKE: NONE NONE
NONE P/N NONE
NONE NONE
NONE FT-LB NONE V NONE Hz

DATE: 06/28/2017 05:30:33 AM  
 FORM 3531 REV.3 02/07/99  
 \*\* Subject to change without notice.

Data Sheet

Date: 16-06-2017  
 Customer: \_\_\_\_\_  
 Attention: \_\_\_\_\_  
 Submitted by: FAREEDA DUDEKULA



5011LXVFS6544

**Submittal**

Data @ 4000 V

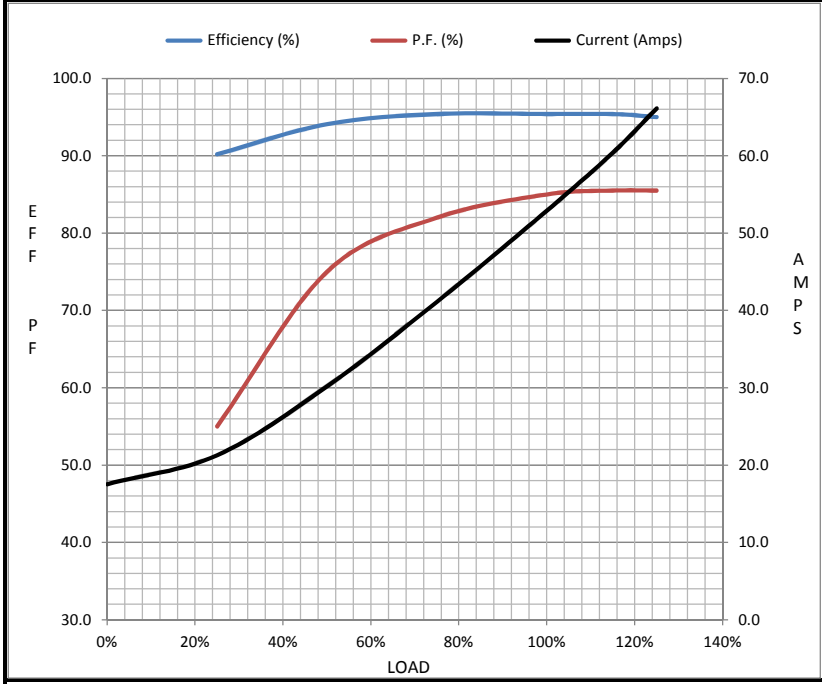
Motor Load Data

Load	0%	25%	50%	75%	100%	115%	125%	LR
Current (Amps)	17.5	21.3	30.2	41.1	52.9	60.4	66.1	334
Torque (ft-lb)	0.00	293	586	882	1,178	1,358	1,478	2,100
RPM	1800	1795	1792	1785	1780	1,778	1775	0
Efficiency (%)		90.2	94.1	95.4	95.4	95.4	95.0	
P.F. (%)	5.0	55.0	75.0	82.0	85.0	85.5	85.5	25.0

Motor Speed Data

	LR	Pull-Up	BD	Rated	Idle
Speed (RPM)	0	900	1725	1780	1800
Current (Amps)	334	288	201	52.9	17.5
Torque (ft-lb)	2,100	1,775	3,150	1,178	0.00

Information Block				
HP	400.0			
Sync. RPM	1800			
Frame	5011			
Enclosure	TEFC			
Construction	TFN			
Voltage	2300/4000 V			
Frequency	60 Hz			
Design	A			
LR Code letter	G			
Service Factor	1.0			
Temp Rise @ FL	90 ° C			
Duty	CONT			
Ambient	40 ° C			
Elevation	1,000 feet			
Rotor/Shaft wk <sup>2</sup>	180 Lb-Ft <sup>2</sup>			
Ref Wdg	V511408 NONE			
Sound Pressure @ 1M	88 dBA			
VFD Rating	NONE			
Outline Dwg	B-SS518002-4950			
Conn. Diag	A-EE7304			
Additional Specifications:				
0				
365THFS8036				
EQUIV CKT (OHMS / PHASE)				
R1	R2	X1	X2	Xm
0.8530	0.3700	11.9880	19.6310	391.0050



Speed - Torque Curve

