

PRODUCT INFORMATION PACKET

Model No: 449TVFS6542
Catalog No: Y902
250,1800,TEFC,449T(BAR),3/60/2300/4000
Medium And High Voltage NEMA Motors



Regal and Marathon are trademarks of Regal Rexnord Corporation or one of its affiliated companies.
©2021 Regal Rexnord Corporation, All Rights Reserved. MC017097E

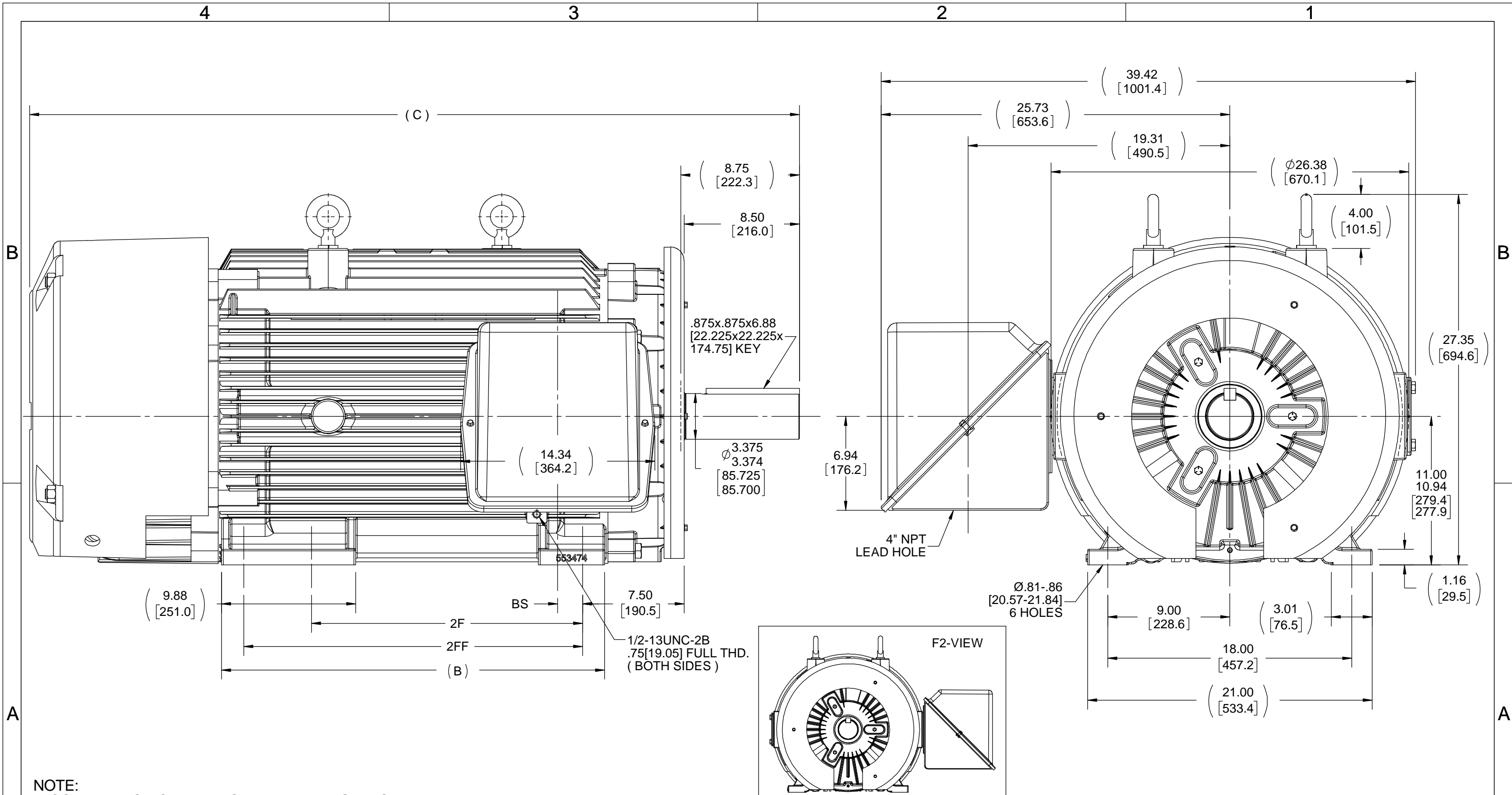
Nameplate Specifications

Output HP	250 Hp	Output KW	187.0 kW
Frequency	60 Hz	Voltage	2300/4000 V
Current	56.0/32.0 A	Speed	1788 rpm
Service Factor	1.15	Phase	3
Efficiency	95.4 %	Power Factor	87.5
Duty	Continuous	Insulation Class	H
Design Code	B	KVA Code	G
Frame	449T	Enclosure	Totally Enclosed Fan Cooled
Thermal Protection	No	Ambient Temperature	40 °C
Drive End Bearing Size	6319	Opp Drive End Bearing Size	6318
UL	No	CSA	N
CE	N	IP Code	54
Number of Speeds	1		

Technical Specifications

Electrical Type	Squirrel Cage Induction Run	Starting Method	Across The Line
Poles	4	Rotation	Reversible
Resistance Main	.295 Ohms	Mounting	Rigid Base
Motor Orientation	Horizontal	Drive End Bearing	Ball
Opp Drive End Bearing	Ball	Frame Material	Cast Iron
Shaft Type	T	Overall Length	56.79 in
Frame Length	28.75 in	Shaft Diameter	3.375 in
Shaft Extension	8.75 in	Assembly/Box Mounting	F1/F2 CAPABLE
Outline Drawing	B-SS516690-2875	Connection Drawing	A-EE7304

This is an uncontrolled document once printed or downloaded and is subject to change without notice. Date Created:10/06/2021



NOTE:
 1. CONDUIT BOX CAN BE ROTATED IN 90° STEPS.
 2. NAMEPLATES TO BE READ FROM CONDUIT BOX SIDE OF THE MOTOR.

DASH	FRAME	B	C	2F	2FF	BS
2875	447T	28.25 [717.55]	56.79 [1442.47]	20.00 [508.00]	---	1.84 [46.74]
2875	449T	28.25 [717.55]	56.79 [1442.47]	---	25.00 [635.00]	1.84 [46.74]

DRAWING REVISION D	REVISION BY VS	REV DATE/© DATE 21/04/2019
ECO ECO-0176640	APPROVED BY MILES	DATE 21/04/2019
ECO DESCRIPTION ADDED F2 VIEW		
<small>COPYRIGHT (PER REVISION DATE) REGAL BELOIT AMERICA, INC. ALL RIGHTS RESERVED. PROPRIETARY AND CONFIDENTIAL INFORMATION - THIS DOCUMENT IS THE PROPERTY OF REGAL BELOIT AMERICA, INC. ("OWNER") AND CONTAINS OWNER'S PROPRIETARY INFORMATION. ANY PERSON, CORPORATION OR OTHER FIRM RECEIVING IT IS DEEMED, BY RECEIVING IT, TO AGREE THAT IT, AND/OR ANY PART OF IT, SHALL NOT BE DISCLOSED TO ANY PERSON, CORPORATION OR OTHER ENTITY, DUPLICATED, AND/OR USED, EXCEPT AS EXPRESSLY APPROVED IN WRITING IN ADVANCE BY OWNER. THIS DOCUMENT SHALL BE RETURNED TO OWNER UPON REQUEST. IT MAY BE SUBJECT TO CERTAIN RESTRICTIONS UNDER APPLICABLE EXPORT CONTROL LAWS AND REGULATIONS.</small>		

TOLERANCES (EXCEPT AS NOTED):
 DEC. INCH mm ANGLE
 .X ±0.1 [±3] ±0.5°
 .XX ±0.03 [±0.8]
 .XXX ±0.005 [±0.13]
 .XXXX ±0.0005 [±0.013]
 REMOVE BURRS & BREAK SHARP EDGES: .003/.015 [.08/.38] X 45°
 CORNER FILLETS: R.02 [.5]
 MACHINED SURFACES: 125 INCH √ mm 3.2
 mm DIMENSIONS IN [BRACKETS] ARE FOR REFERENCE ONLY

DRAWN BY
DMT
 DATE
08-11-1998
 APPROVED BY
JPN
 DATE
08-17-1998
 REFERENCE
 THIRD ANGLE PROJECTION

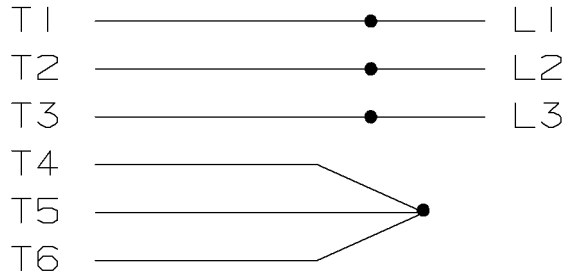
REGAL Regal Beloit America, Inc.

DESCRIPTION
OUTLINE
447/9T FR. - EXTENDED RATING

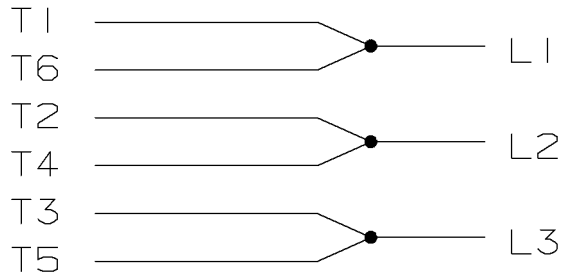
MATERIAL PROCESS/FINISH

SIZE **B** DRAWING NUMBER **SS516690** SHEET 1 OF 1

HIGH VOLTAGE
"Y" CONNECTION

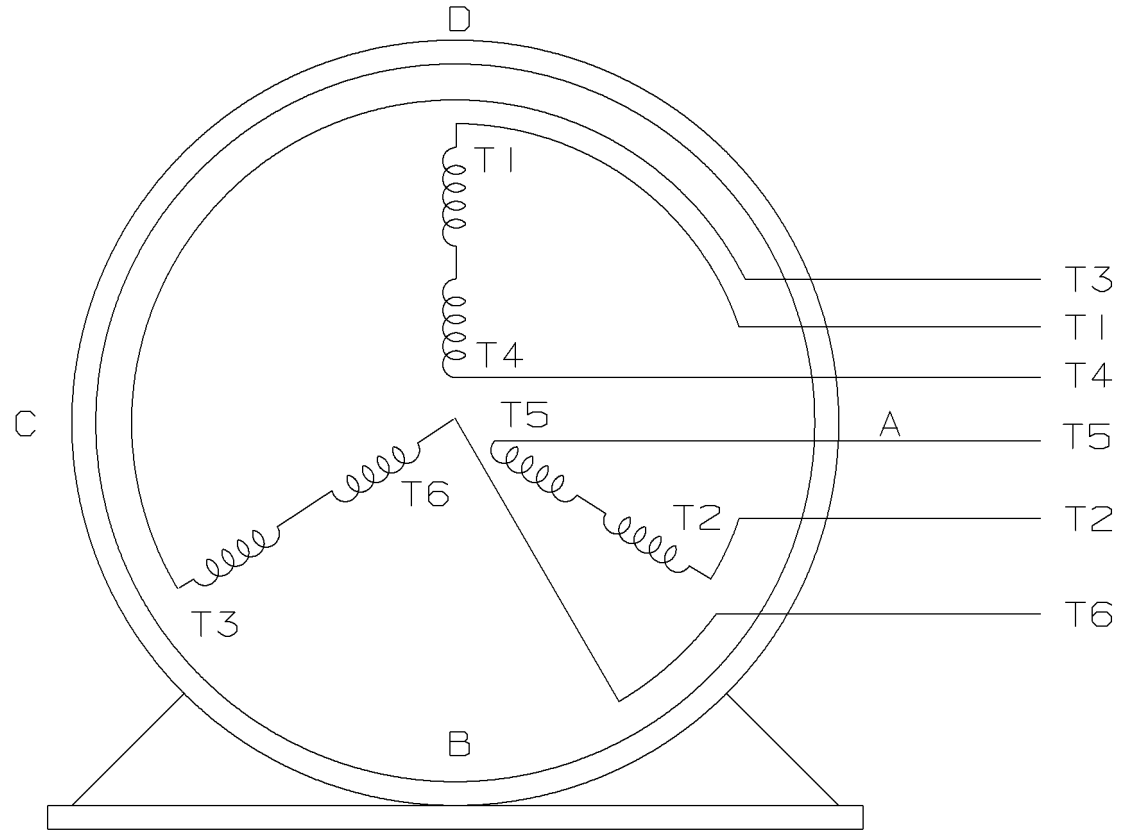


LOW VOLTAGE - DELTA



THREE PHASE - DUAL VOLTAGE

A- EE7304



VIEW OF TERMINAL END

T2DL
T2C
T4CC
T4AY
T4AZ
WP =T4J1

				✓ MAX. SURFACE ROUGHNESS UNLESS NOTED OTHERWISE	UNLESS OTHERWISE SPECIFIED DIMENSIONS ARE IN INCHES TOL. ON XX±.02 XXX±.005 XXXX±.0005 ANGLES± 7'30"		
				MATL SPEC			DRAWN BY LZ 01-04-1994
				FINISH	MARATHON ELECTRIC		CHKD BY ML 01-18-1994
9	01-24-1994	REDRAWN ON CADD		LZ	WAUSAU, WISCONSIN 54401		APPD BY GK 01-18-1994
REV	DATE	CHANGE		NAME	PART NAME CONNECTION DIAGRAM THREE PHASE, DUAL VOLTAGE		DRWG NO A- EE7304

SHOP BOOK

PURCHASED

DISTRIBUTION - WA - LB - WP - LM - BR

CADD FILE NO.

EE7304

CERTIFICATION DATA SHEET

Model#: 449TVFS6542 BH
CONN. DIAGRAM: A-EE7304
OUTLINE: B-SS516690-2875

WINDING#: V4494104 NONE 0
ASSEMBLY: F1/F2 CAPABLE

TYPICAL MOTOR PERFORMANCE DATA

HP	KW	SYNC. RPM	F.L. RPM	FRAME	ENCLOSURE	KVA CODE	DESIGN
250	187	1800	1788	447/449T	TEFC	G	B

PH	Hz	VOLTS	FL AMPS	START TYPE	DUTY	INSL	S.F	AMB°C	ELEVATION
3	60	2300/4000	56/32	ACROSS THE LINE	CONTINUOUS	H	1.15	40	3300

FULL LOAD EFF: 95.4	3/4 LOAD EFF: 95	1/2 LOAD EFF: 93.6	GTD. EFF	ELEC. TYPE	NO LOAD AMPS
FULL LOAD PF: 87.5	3/4 LOAD PF: 84.5	1/2 LOAD PF: 77	94.5	SQ CAGE IND RUN	17 / 9.8

F.L. TORQUE	LOCKED ROTOR AMPS	L.R. TORQUE	B.D. TORQUE	F.L. RISE°C
735 LB-FT	360 / 207	775 LB-FT 105	2000 LB-FT 272	75

SOUND PRESSURE @ 3 FT.	SOUND POWER	ROTOR WK^2	MAX. WK^2	SAFE STALL TIME	STARTS / HOUR	APPROX. MOTOR WGT
88 dBA	98 dBA	110 LB-FT^2	- LB-FT^2	20 SEC.	-	3100 LBS.

***** SUPPLEMENTAL INFORMATION *****

DE BRACKET TYPE	ODE BRACKET TYPE	MOUNT TYPE	ORIENTATION	SEVERE DUTY	HAZARDOUS LOCATION	DRIP COVER	SCREENS	PAINT
STANDARD	STANDARD	RIGID	HORIZONTAL	PREMIUM SEVERE DUTY	NONE	FALSE	NONE	BLUE (EPOXY)

BEARINGS		GREASE	SHAFT TYPE	SPECIAL DE	SPECIAL ODE	SHAFT MATERIAL	FRAME MATERIAL
DE	OPE						
BALL	BALL	POLYREX EM	T	NONE	NONE	1045 HOT ROLLED (C-204)	CAST IRON
6319	6318						

THERMO-PROTECTORS				THERMISTORS	CONTROL	SPACE /n HEATERS
THERMOSTATS	PROTECTORS	WDG RTDs	BRG RTDs			
NONE	NOT	NONE	NONE	NONE	FALSE	NONE VOLTS

If Inverter equals NONE, contact factory for further information

*
N
O
T
E
S
*

INVERTER TORQUE: NONE
INV. HP SPEED RANGE: NONE
ENCODER: NONE
NONE NONE
NONE NONE PPR
BRAKE: NONE NONE
NONE P/N NONE
NONE NONE
NONE FT-LB NONE V NONE Hz

DATE: 06/21/2017 07:31:10 AM
 FORM 3531 REV.3 02/07/99
 ** Subject to change without notice.

Data Sheet

Date: 29-06-2017
Customer: _____
Attention: _____
Submitted by: FAREEDA DUDEKULA



449TVFS6542

Submittal

Data @ **4000 V**

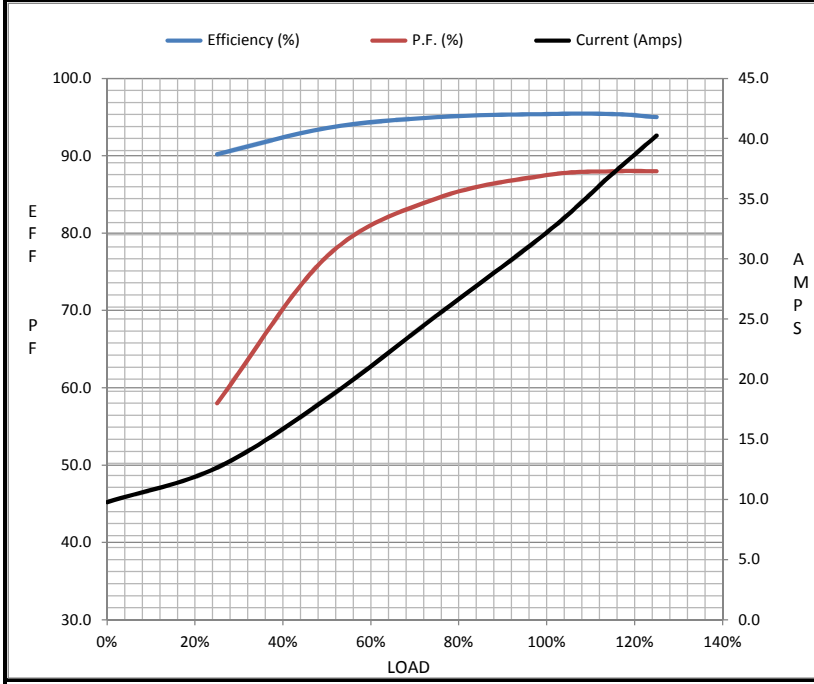
Motor Load Data

Load	0%	25%	50%	75%	100%	115%	125%	LR
Current (Amps)	9.8	12.7	18.4	25.3	32.2	37.1	40.3	207
Torque (ft-lb)	0.00	183	366	550	735	846	922	775
RPM	1800	1796	1794	1790	1788	1,786	1784	0
Efficiency (%)		90.2	93.6	95.0	95.4	95.4	95.0	
P.F. (%)	7.0	58.0	77.0	84.5	87.5	88.0	88.0	19.0

Motor Speed Data

	LR	Pull-Up	BD	Rated	Idle
Speed (RPM)	0	900	1725	1788	1800
Current (Amps)	207	173	106	32.2	9.8
Torque (ft-lb)	775	725	2,000	735	0.00

Information Block	
HP	250.0
Sync. RPM	1800
Frame	449
Enclosure	TEFC
Construction	TFN
Voltage	2300/4000 V
Frequency	60 Hz
Design	A
LR Code letter	G
Service Factor	1.15
Temp Rise @ FL	75 ° C
Duty	CONT
Ambient	40 ° C
Elevation	1,000 feet
Rotor/Shaft wk ²	110 Lb-Ft ²
Ref Wdg	V4494104 NONE
Sound Pressure @ 1M	88 dBA
VFD Rating	NONE
Outline Dwg	B-SS516690-2875
Conn. Diag	A-EE7304
Additional Specifications:	
0	
365THFS8036	
EQUIV CKT (OHMS / PHASE)	
R1	R2
0.7820	0.5670
X1	X2
7.9890	11.0810
Xm	
230.7220	



Speed - Torque Curve

