

# PRODUCT INFORMATION PACKET



Model No: 3212  
Catalog No: 3212  
1/3 HP Unit Heater Motor, 1075 RPM, 115 Volts, 48 Frame, TEAO  
Unit Heater Motors



Regal and Genteq are trademarks of Regal Rexnord Corporation or one of its affiliated companies.  
©2021 Regal Rexnord Corporation, All Rights Reserved. MC017097E





**Nameplate Specifications**

Output HP	1/3 Hp	Output KW	0.25 kW
Frequency	60 Hz	Voltage	115 V
Current	4.90 A	Speed	1075 rpm
Service Factor	1	Phase	1
Duty	Continuous Air Over	Insulation Class	B
Frame	48	Enclosure	Totally Enclosed Air Over
Thermal Protection	Thermally Protected	Ambient Temperature	40 °C
UL	Recognized	CSA	Y
CE	N	Number of Speeds	1

**Technical Specifications**

Electrical Type	Permanent Split Capacitor	Poles	6
Rotation	Reversible	Mounting	Resilient Rings
Motor Orientation	Any	Drive End Bearing	Ball
Opp Drive End Bearing	Ball	Frame Material	Rolled Steel
Shaft Type	Flat	Overall Length	11.15 in
Frame Length	4.82 in	Shaft Diameter	0.500 in
Shaft Extension	5.00 in	Thru-bolts Extension	1.00 in
Connection Drawing	NP24X327691	Outline Drawing	5KCP39NGC339ES

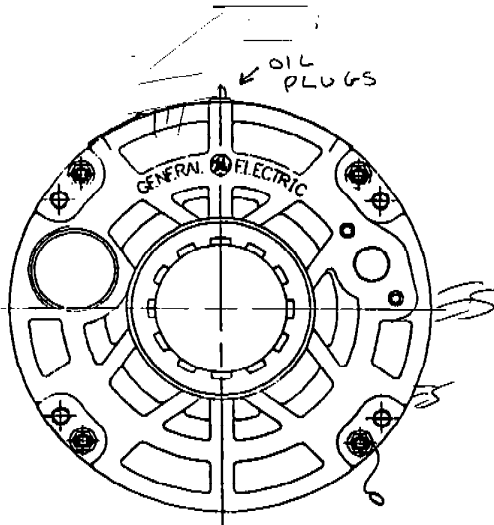
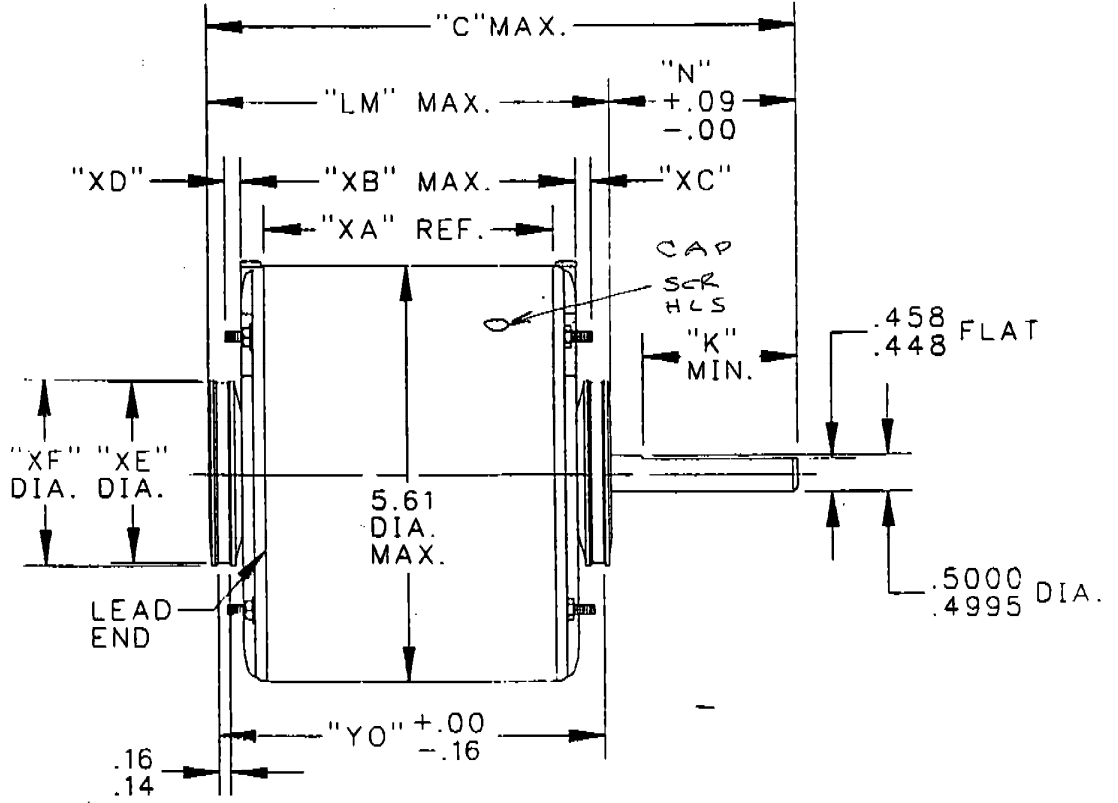
This is an uncontrolled document once printed or downloaded and is subject to change without notice. Date Created:10/21/2021

This document is the property of General Electric Company and contains proprietary and confidential information of the Motor Business Group (MBG). The document is loaned on the express conditions that neither it nor the information contained therein shall be disclosed to others without the express consent of MBG and that the information shall be used by the recipient only as approved expressly by MBG. Also, the document shall be returned to MBG upon its request.

STOCK

REV	DESCRIPTION
-----	-------------

MODEL



ADDITIONAL DETAILS  
(VIEWING LEAD END)

ROTATION *ccw* VIEWED IN DIRECTION OF ARROW.  
 VENTILATION SYSTEM  
 SHELL - CLOSED  
 OPPOSITE LEAD END SHIELD - CLOSED  
 LEAD END SHIELD - CLOSED  
 LEADS EXIT THRU SHELL 90 DEGREES FROM TOP OF MOTOR VIEWED IN DIRECTION OF ARROW.

			-	2.22	2.25		
			"XD"	"XE"	"XF"		
11.39	5.0	9.6	6.34	6.14	4.82	5.78	1.0
"C"	"N"	"K"	"LM"	"YO"	"XA"	"XB"	"XC"

GENERAL				ELECTRIC	
MOTOR BUSINESS GROUP		FORT WAYNE, INDIANA			
<b>MOTOR OUTLINE</b>					
MODEL	SKCP39NGC339ES			ISSUED	6/18/95
				SCALE	4

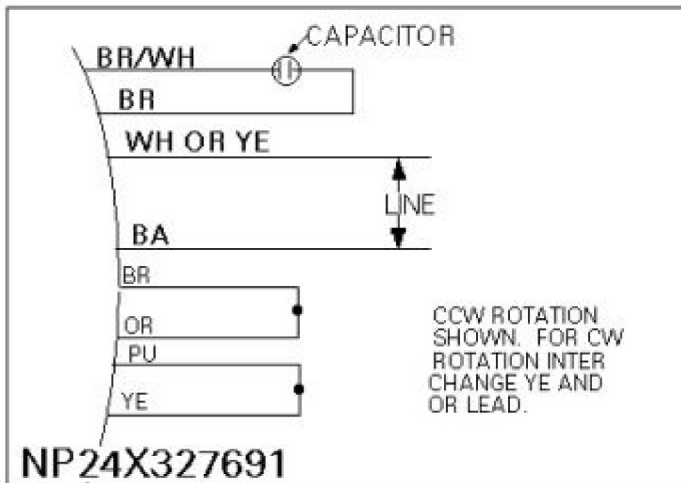
**CONFIDENTIAL AND PROPRIETARY**

This document is the property of General Electric Company and contains proprietary and confidential information of the Motor Business Group (MBG). The document is issued on the express conditions that neither it nor the information contained herein shall be disclosed to others without the express consent of MBG and that the information shall be used by the recipient only as approved expressly by MBG. Also, the document shall be returned to MBG upon its request.

**REVISIONS**

REV	DESCRIPTION
1	CAS 8/29/00 ELEC FORMAT

Uncontrolled Copy



GENERAL ELECTRIC  
 MOTOR BUSINESS GROUP FORT WAYNE, INDIANA

FILE:	DPC #	NP 24X327691	ISSUED CAS 4/29/94	SCALE No
-------	-------	--------------	--------------------	----------