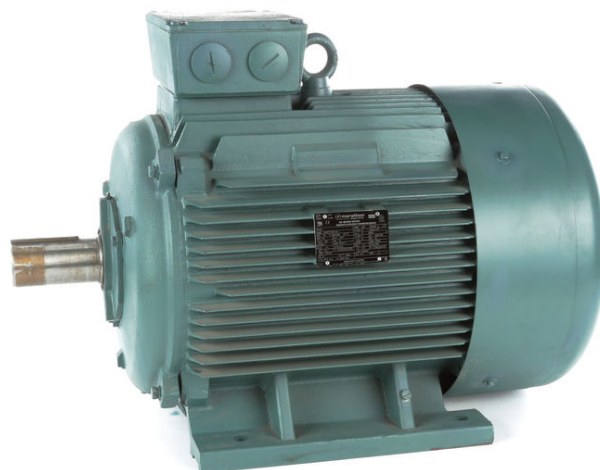


PRODUCT INFORMATION PACKET

Model No: 280STFC6586
Catalog No: R502
60 HP General Purpose, 3 phase, 1200 RPM, 230/460 V, 280S Frame, TEFC
Cast Iron Motors



Regal and Marathon are trademarks of Regal Rexnord Corporation or one of its affiliated companies.
©2021 Regal Rexnord Corporation, All Rights Reserved. MC017097E

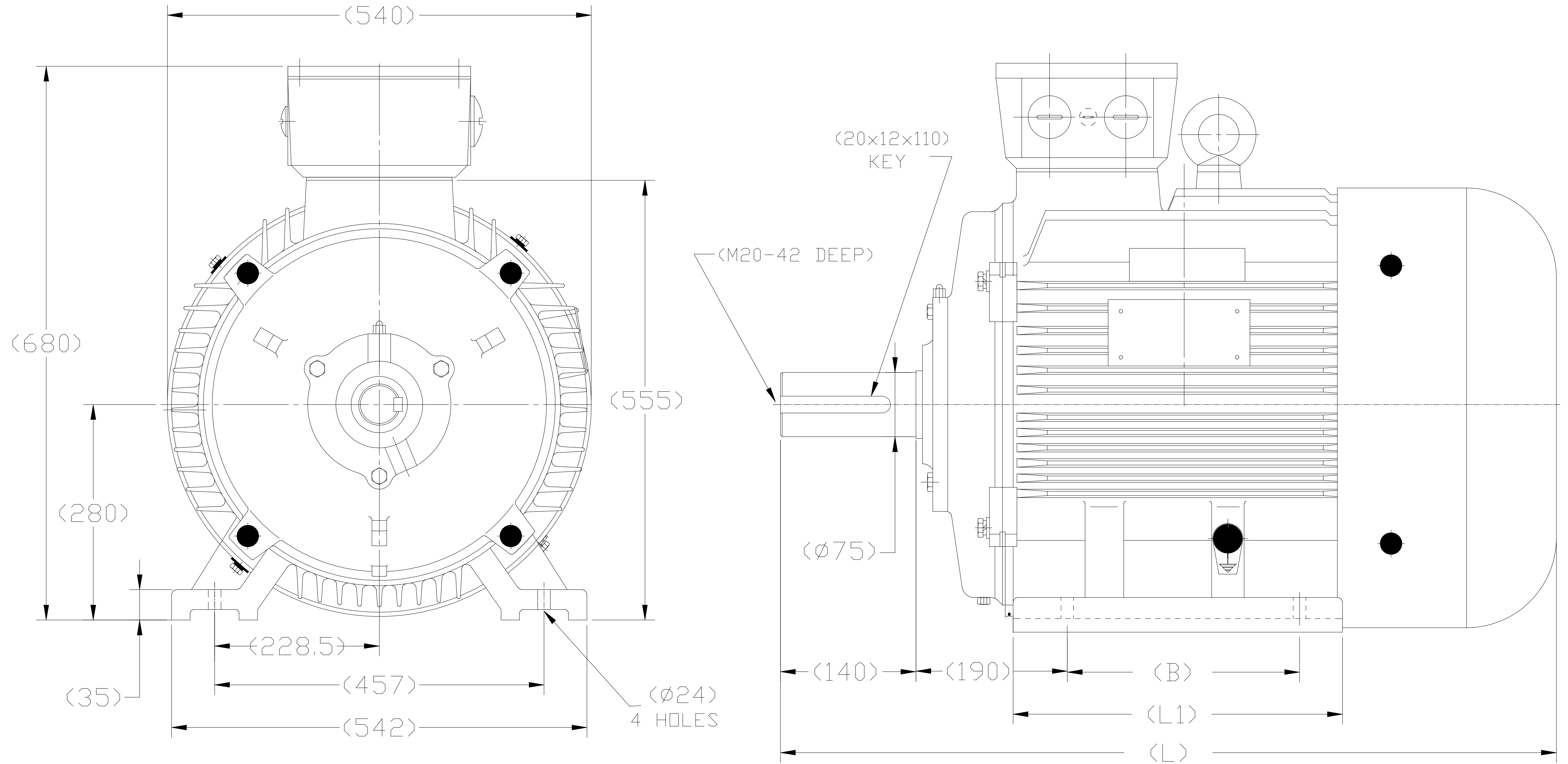


Nameplate Specifications

Output HP	60 Hp	Output KW	45.0 kW
Frequency	60 Hz	Voltage	230/460 V
Current	152.0/76.0 A	Speed	1194 rpm
Service Factor	1.15	Phase	3
Efficiency	95 %	Power Factor	77
Duty	Continuous	Insulation Class	F
Design Code	B	KVA Code	H
Frame	280S	Enclosure	Totally Enclosed Fan Cooled
Thermal Protection	No	Ambient Temperature	40 °C
Drive End Bearing Size	6317	Opp Drive End Bearing Size	6314
UL	Recognized	CSA	Y
CE	Y	IP Code	55
Number of Speeds	1		

Technical Specifications

Electrical Type	Squirrel Cage Inverter Rated	Starting Method	Part Wdg Start & Wye Start Delta Run Or Inverter
Poles	6	Rotation	Reversible
Mounting	Rigid Base	Motor Orientation	Horizontal
Drive End Bearing	Ball	Opp Drive End Bearing	Ball
Frame Material	Cast Iron	Shaft Type	IEC
Overall Length	38.38 in	Shaft Diameter	2.555 in
Shaft Extension	5.51 in	Assembly/Box Mounting	F3
Inverter Load	CONSTANT 2:1		
Outline Drawing	SS622382	Connection Drawing	00417203ME



DRAWING MAY NOT BE TO SCALE

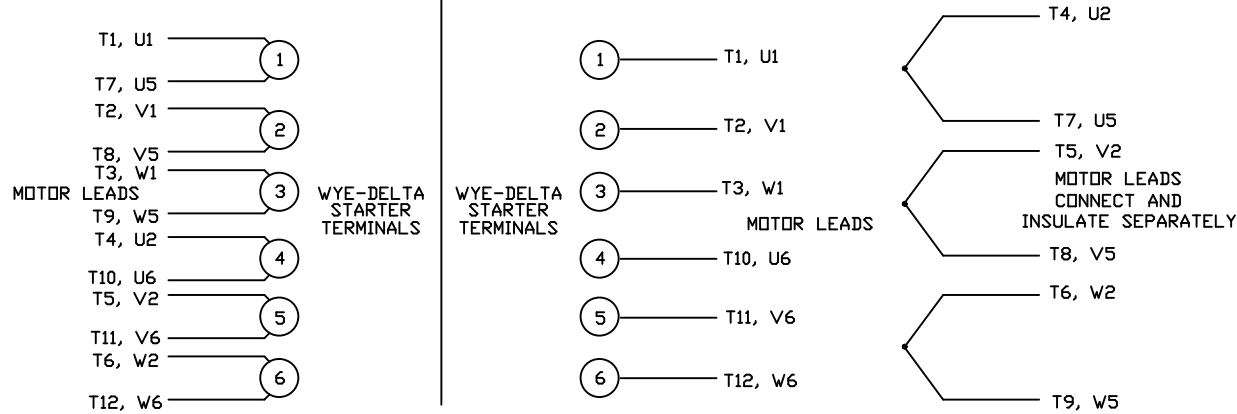
FRAME	B	L1	L
DF280S-6R	368	485	975
DF280M-6R	419	536	1026

		TOLERANCES UNLESS SPECIFIED		REGAL REGAL-BELOIT CORPORATION		DRAWN MQL 09-11-2012	
		DEC.	INCHES			CHK	
		.X	±.1			APPD	
		.XX	±.03	TITLE		SCALE	
		.XXX	±.005	DF280S,M-6R-PREMIUM		REF R502,R505	
C	REMOVED MARATHON PART NUMBERS ECD-0186668	WGJ	5-18-20	BW	.XXXX	±.0005	MAT'L.
NO.	REVISION	BY & DATE	CHK	ANG	±1/2	FINISH	PREV
THIS DRAWING IN DESIGN AND DETAIL IS OUR PROPERTY AND MUST NOT BE USED EXCEPT IN CONNECTION WITH OUR WORK ALL RIGHTS OF DESIGN AND INVENTION ARE RESERVED THIS IS AN ELECTRONICALLY GENERATED DOCUMENT - DO NOT SCALE THIS PRINT				RFP	CAD FILE	SS622382	SIZE DRAWING NO.
				DIST			B SS622382 C
							REV. C

WYE - DELTA STARTING USEABLE ON 2,4 AND 6 POLE MOTORS.

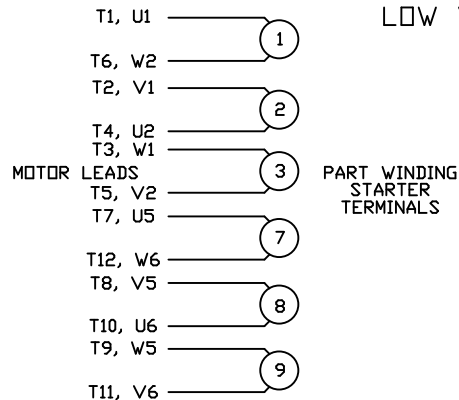
LOW VOLTAGE CONNECTION

HIGH VOLTAGE CONNECTION



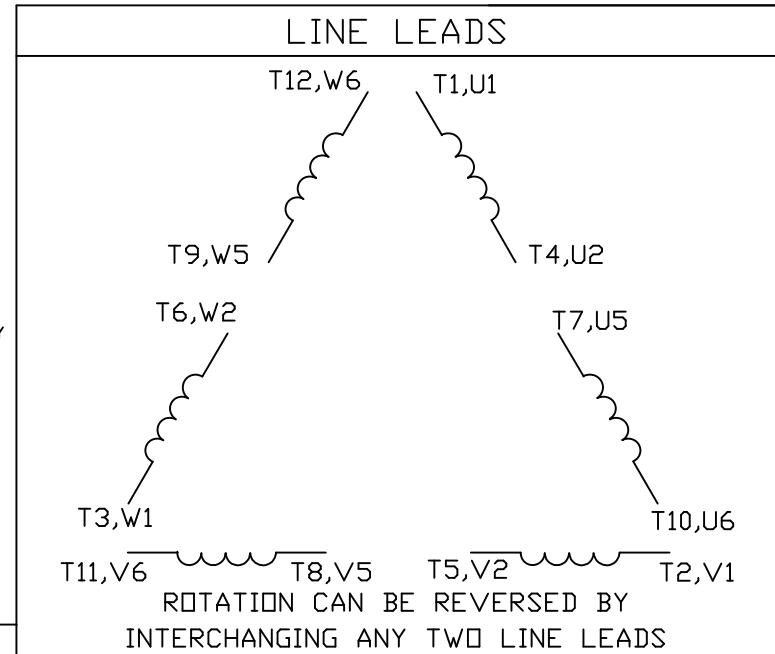
REFER TO THE WYE-DELTA STARTER CONNECTION INSTRUCTIONS FOR PROPER CONNECTION OF POWER LINES TO STARTER.

PART WINDING START USABLE ON 4 & 6 POLE MOTORS
LOW VOLTAGE CONNECTION ONLY



REFER TO THE PART WINDING STARTER INSTRUCTIONS FOR PROPER CONNECTION OF POWER LINES TO STARTER.

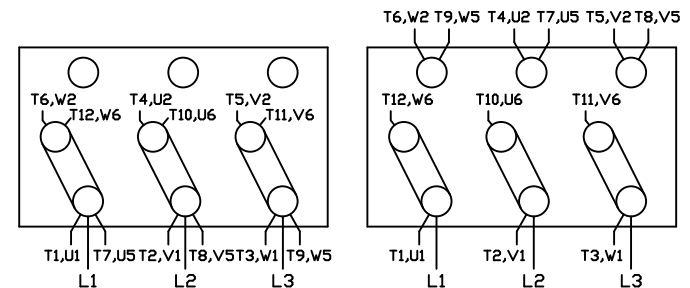
REFER TO THE CUTLER - HAMMER OR EQUIV. FOR PROPER SELECTION OF OVERLOAD HEATER COILS.



12 LEAD DELTA CONNECTION ACROSS THE LINE START
(FOR Y START DELTA RUN, REMOVE THE JUMPERS)

LOW VOLTAGE
(MUST BE REWIRED AS SHOWN)

HIGH VOLTAGE
(FACTORY WIRED FOR HIGH VOLTAGE AS SHOWN)



TOLERANCES UNLESS SPECIFIED

DEC. INCHES

.X ±.1

.XX ±.01

.XXX ±.005

.XXXX ±.0005

ANG ±1/2*



TITLE DELTA - WYE CONNECTION DIAGRAM
IEC CAST IRON MOTORS

MAT'L.

FINISH

DRAWN CJW 08/28/02

CHK

APPD

SCALE 1=1

REF

FMF

PREV

NO. REVISION BY & DATE

CHK

RFP

DIST

CAD FILE 00417203ME

SIZE DRAWING NO.

A 004172-03ME

REV.

THIS DRAWING IN DESIGN AND DETAIL IS OUR PROPERTY AND MUST NOT BE USED EXCEPT IN CONNECTION WITH OUR WORK ALL RIGHTS OF DESIGN AND INVENTION ARE RESERVED THIS IS AN ELECTRONICALLY GENERATED DOCUMENT - DO NOT SCALE THIS PRINT

CERTIFICATION DATA SHEET

Model#: 280STFC6586 AA WINDING#: T22806017 NONE 3
 CONN. DIAGRAM: 00417203ME ASSEMBLY: F3
 OUTLINE: SS622382

TYPICAL MOTOR PERFORMANCE DATA

HP	KW	SYNC. RPM	F.L. RPM	FRAME	ENCLOSURE	KVA CODE	DESIGN		
60&50	45&37	1200	1194&995	280S	TEFC	H	B		
PH	Hz	VOLTS	FL AMPS	START TYPE	DUTY	INSL	S.F	AMB°C	ELEVATION
3	60/50	230/460#200/ 400	152/76&152/7 6	PWS & YDRUN OR INV	CONTINUOU S	F5	1.15/1.15	40	3300
FULL LOAD EFF: 95&94.5	3/4 LOAD EFF: 95	1/2 LOAD EFF: 94.1	GTD. EFF	ELEC. TYPE	NO LOAD AMPS				
FULL LOAD PF: 77&75	3/4 LOAD PF: 72	1/2 LOAD PF: 61	94.1	SQ CAGE INV RATED	72 / 36				
F.L. TORQUE	LOCKED ROTOR AMPS	L.R. TORQUE	B.D. TORQUE	F.L. RISE°C					
264 LB-FT	1000 / 500	520 LB-FT 197	920 LB-FT 348	45					
SOUND PRESSURE @ 3 FT.	SOUND POWER	ROTOR WK^2	MAX. WK^2	SAFE STALL TIME	STARTS /HOUR	APPROX. MOTOR WGT			
55 dBA	65 dBA	- LB-FT^2	- LB-FT^2	25 SEC.	2	- LBS.			

*** SUPPLEMENTAL INFORMATION ***

DE BRACKET TYPE	ODE BRACKET TYPE	MOUNT TYPE	ORIENTATION	SEVERE DUTY	HAZARDOUS LOCATION	DRIP COVER	SCREENS	PAINT	
STANDARD	STANDARD	RIGID	HORIZONTAL	PREMIUM SEVERE DUTY	NONE	FALSE	NONE	BLUE (ENAMEL)	
BEARINGS		GREASE	SHAFT TYPE	SPECIAL DE	SPECIAL ODE	SHAFT MATERIAL	FRAME MATERIAL		
DE	OPE	POLYREX EM	STANDARD IEC	NONE	NONE	1045 HOT ROLLED (C-204)	CAST IRON		
BALL	BALL								
6317	6314								
THERMO-PROTECTORS				THERMISTORS	CONTROL	SPACE /n HEATERS			
THERMOSTATS	PROTECTORS	WDG RTDs	BRG RTDs	NONE	FALSE	NONE VOLTS			
NONE	NOT	NONE	NONE	NONE	FALSE	NONE VOLTS			

If Inverter equals NONE, contact factory for further information

*
N
O
T
E
S
*

INVERTER TORQUE: CONSTANT 2:1
INV. HP SPEED RANGE: 1.5 X BASE SPEED
ENCODER: NONE
NONE NONE
NONE NONE PPR
BRAKE: NONE NONE
NONE P/N NONE
NONE NONE
NONE FT-LB NONE V NONE Hz

DATE: 06/23/2017 07:29:58 AM
 FORM 3531 REV.3 02/07/99
 ** Subject to change without notice.

Data Sheet

Date: 6/20/2017

280STFC6586

Customer: _____



Attention: _____

Submittal

Submitted by: FAREEDA DUDEKULA

Data @ 460 V

Motor Load Data

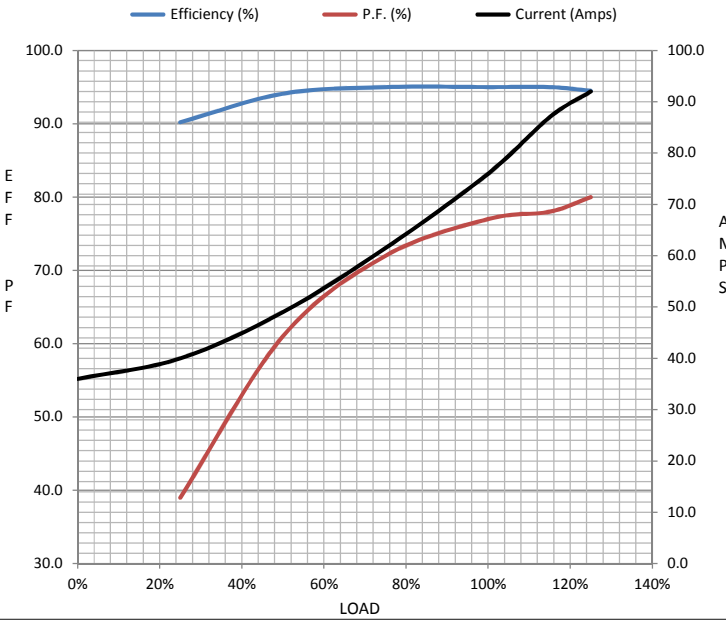
Load	0%	25%	50%	75%	100%	115%	125%	LR
Current (Amps)	36.0	40.0	49.0	61.5	76.0	87.0	92.0	500
Torque (ft-lb)	0.00	66.0	132	198	264	304	330	520
RPM	1200	1198	1197	1196	1194	1,193	1192	0
Efficiency (%)		90.2	94.1	95.0	95.0	95.0	94.5	
P.F. (%)	4.0	39.0	61.0	72.0	77.0	78.0	80.0	31.0

Motor Speed Data

	LR	Pull-Up	BD	Rated	Idle
Speed (RPM)	0	600	1150	1194	1200
Current (Amps)	500	450	300	76.0	36.0
Torque (ft-lb)	520	450	920	264	0.00

Information Block

HP	60.0			
Sync. RPM	1200			
Frame	444			
Enclosure	TEFC			
Construction	TFC			
Voltage	30/460#200/401V			
Frequency	60 Hz			
Design	A			
LR Code letter	H			
Service Factor	1.15			
Temp Rise @ FL	45 ° C			
Duty	CONT			
Ambient	40 ° C			
Elevation	1,000 feet			
Rotor/Shaft wk ²	0.00 Lb-Ft ²			
Ref Wdg	T22806017 NONE			
Sound Pressure @ 1M	55 dBA			
VFD Rating	CONSTANT 2:1			
Outline Dwg	SS622382			
Conn. Diag	00417203ME			
Additional Specifications:				
0				
0				
EQUIV CKT (OHMS / PHASE)				
R1	R2	X1	X2	Xm
0.0000	0.0000	0.0000	0.0000	0.0000



Speed -Torque Curve

