

PRODUCT INFORMATION PACKET

Model No: 254THTL5726

Catalog No: Y549

15 HP Variable Speed Motor, 3 phase, 1800 RPM, 230/460 V, 254TC Frame, TENV
Speed Ratio Motors



Regal and Marathon are trademarks of Regal Rexnord Corporation or one of its affiliated companies.
©2021 Regal Rexnord Corporation, All Rights Reserved. MC017097E

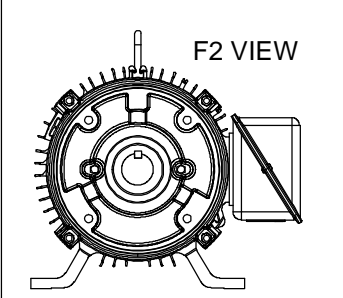
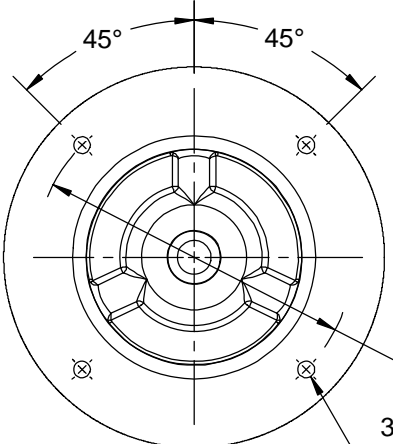
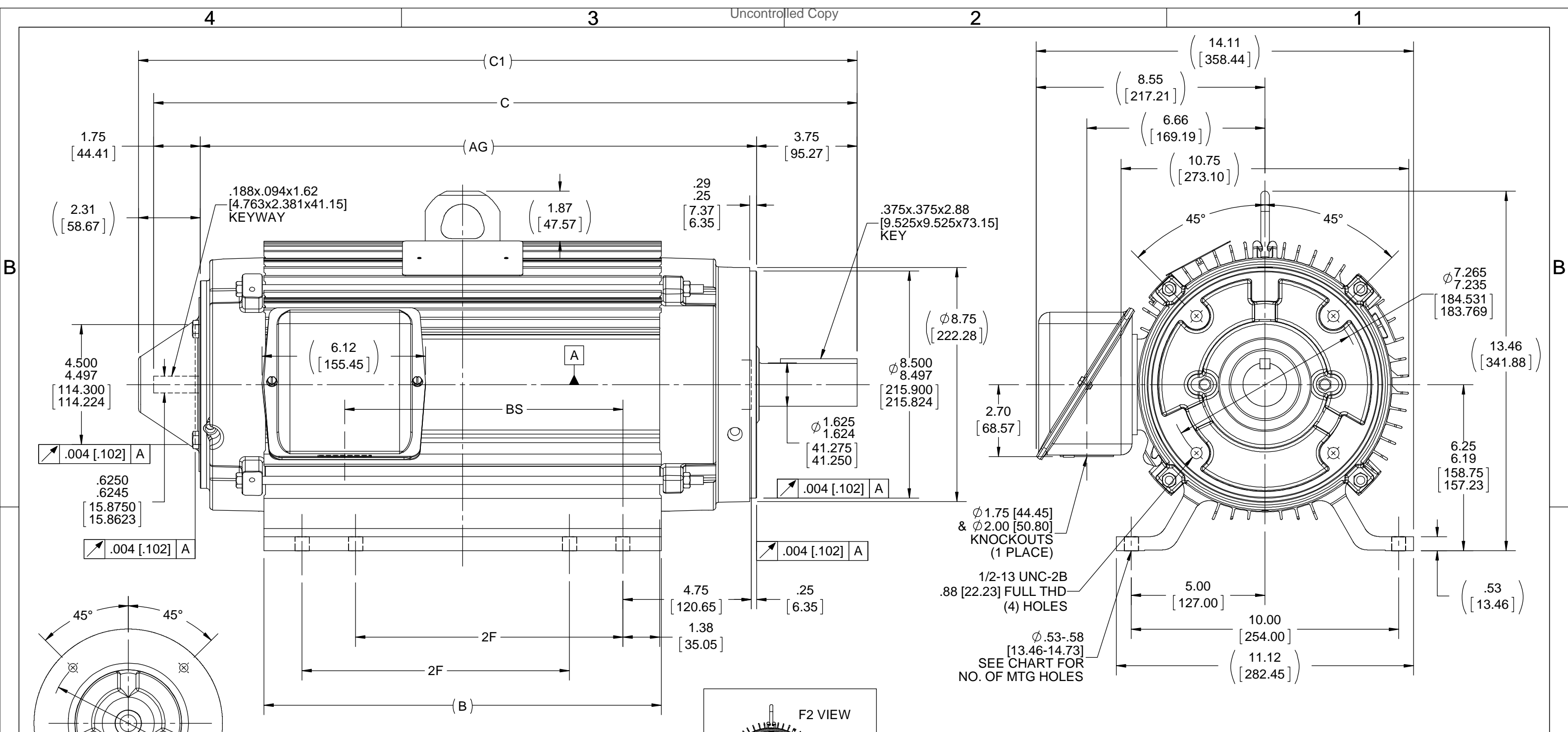
Nameplate Specifications

Output HP	15 Hp	Output KW	11.2 kW
Frequency	60 Hz	Voltage	230/460 V
Current	40.0/20.0 A	Speed	1765 rpm
Service Factor	1	Phase	3
Efficiency	91.7 %	Power Factor	76
Duty	Continuous	Insulation Class	H
Design Code	INV	KVA Code	K
Frame	254TC	Enclosure	Totally Enclosed Non Ventilated
Thermal Protection	No	Ambient Temperature	40 °C
Drive End Bearing Size	6309	Opp Drive End Bearing Size	6206
UL	Recognized	CSA	Y
CE	Y	IP Code	43
Number of Speeds	1		

Technical Specifications

Electrical Type	Squirrel Cage Inverter Duty	Starting Method	Inverter Only
Poles	4	Rotation	Reversible
Resistance Main	.448 Ohms	Mounting	Rigid Base
Motor Orientation	Horizontal	Drive End Bearing	Ball
Opp Drive End Bearing	Ball	Frame Material	Aluminum
Shaft Type	T	Overall Length	26.87 in
Frame Length	14.75 in	Shaft Diameter	1.625 in
Shaft Extension	3.75 in	Assembly/Box Mounting	F1/F2 Capable
Inverter Load	CONSTANT 1000:1		
Connection Drawing	A-EE7308T	Outline Drawing	B-SS330110-1475

This is an uncontrolled document once printed or downloaded and is subject to change without notice. Date Created:10/06/2021



1325	254	25.37 [644.44]	24.81 [630.17]	19.31 [490.50]	13.37 [339.60]	8.25 [209.55]	8.90 [226.06]	YES	8
1475	254	26.87 [682.54]	26.31 [668.27]	20.81 [528.60]	14.87 [377.70]	8.25 [209.55]	10.40 [264.16]	YES	8
DASH	FRAME	C1	C	AG	B	2F	BS	F1/F2	MTG HOLES

FRONT END VIEW (SHAFT COVER REMOVED)

- NOTES:
 1. CONDUIT BOX CAN BE ROTATED IN 90° STEPS.
 2. SEE CHART FOR "F2" CAPABILITY. IF YES, BOX CAN BE MOUNTED ON OPPOSITE SIDE BY REMOVING BRACKETS AND TURNING FRAME 180°.
 3. NAMEPLATE READ FROM CONDUIT BOX SIDE OF MOTOR.

DRAWING REVISION F	REVISION BY W. JOERGER	DATE 01-19-2018
ECO ECO-0131008	APPROVED BY E. HEIL	DATE 01-19-2018
ECO DESCRIPTION REMOVED 256 FRAME DASH -1475		
<small>COPYRIGHT REGAL BELOIT AMERICA, INC. ALL RIGHTS RESERVED. PROPRIETARY AND CONFIDENTIAL INFORMATION - THIS DOCUMENT IS THE PROPERTY OF REGAL BELOIT AMERICA, INC. ("OWNER") AND CONTAINS OWNER'S PROPRIETARY INFORMATION. ANY PERSON, CORPORATION OR OTHER FIRM RECEIVING IT IS DEEMED, BY RECEIVING IT, TO AGREE THAT IT, AND/OR ANY PART OF IT, SHALL NOT BE DISCLOSED TO ANY PERSON, CORPORATION OR OTHER ENTITY, DUPLICATED, AND/OR USED, EXCEPT AS EXPRESSLY APPROVED IN WRITING IN ADVANCE BY OWNER. THIS DOCUMENT SHALL BE RETURNED TO OWNER UPON REQUEST. IT MAY BE SUBJECT TO CERTAIN RESTRICTIONS UNDER APPLICABLE EXPORT CONTROL LAWS AND REGULATIONS.</small>		

TOLERANCES UNLESS OTHERWISE SPECIFIED:

DEC.	INCH	mm	ANGLE
X	±0.1	[±2.5]	±7° 30"
.XX	±0.03	[±0.76]	
.XXX	±0.005	[±0.127]	
.XXXX	±0.0005	[±0.0127]	

REMOVE BURRS & BREAK SHARP EDGES: .003/.015 [.076/.381] X 45° CORNER FILLETS: R.02 [.51] MACHINED SURFACES: 200 INCH/mm 5.1

DRAWN BY MJK
DATE 04-18-2005
APPROVED BY CGD
DATE 08-18-2005
REFERENCE
THIRD ANGLE PROJECTION

REGAL™ Regal Beloit America, Inc.

DESCRIPTION
210 FR. - 254 MTG - ALUMINUM FRAME

MATERIAL
SS330110

PROCESS/FINISH

SIZE
B

DRAWING NUMBER
SS330110

SHEET
1 OF 1

HIGH VOLTAGE



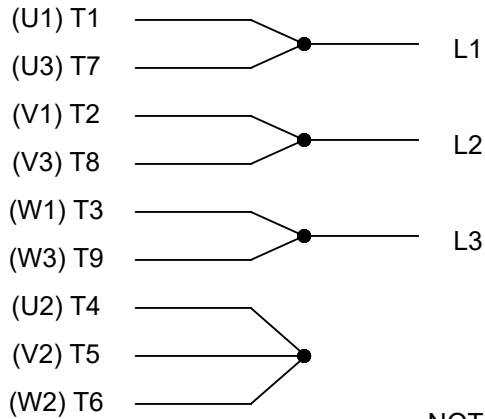
**THREE PHASE
DUAL VOLTAGE MOTOR**

THERMO-PROTECTORS
CONNECTED IN SERIES



NOTE FOR FACTORY USE ONLY:
TO SURGE TEST FOR COMMON CONNECT:
HIGH VOLT: CONNECT P1 TO T1
THEN P2 TO L1
LOW VOLT: CONNECT P1 TO T1 & T7,
THEN P2 TO L1

LOW VOLTAGE



VIEW OF TERMINAL END

NOTE: LEAD'S COLOR CAN BE YELLOW OR WHITE FOR MT2 PLANT

DRAWING REVISION T	REVISION BY ZR	DATE 01-14-2019		DRAWN BY SMC	Regal Beloit America, Inc.
ECO ECO-0159915	APPROVED BY DR	DATE 01-15-2019		DATE 05-13-1992	
ECO DESCRIPTION ADDED TERMINAL CONNECTION DIAGRAM				APPROVED BY TB	DESCRIPTION CONN DIAGRAM-INTERNAL 3 PHASE - DUAL VOLTAGE MOTOR
<small>COPYRIGHT REGAL BELOIT AMERICA, INC. ALL RIGHTS RESERVED. PROPRIETARY AND CONFIDENTIAL INFORMATION - THIS DOCUMENT IS THE PROPERTY OF REGAL BELOIT AMERICA, INC. ("OWNER") AND CONTAINS OWNER'S PROPRIETARY INFORMATION. ANY PERSON, CORPORATION OR OTHER FIRM RECEIVING IT IS DEEMED, BY RECEIVING IT, TO AGREE THAT IT, AND/OR ANY PART OF IT, SHALL NOT BE DISCLOSED TO ANY PERSON, CORPORATION OR OTHER ENTITY, DUPLICATED, AND/OR USED, EXCEPT AS EXPRESSLY APPROVED IN WRITING IN ADVANCE BY OWNER. THIS DOCUMENT SHALL BE RETURNED TO OWNER UPON REQUEST. IT MAY BE SUBJECT TO CERTAIN RESTRICTIONS UNDER APPLICABLE EXPORT CONTROL LAWS AND REGULATIONS.</small>			DATE 05-13-1992	MATERIAL	PROCESS/FINISH
			REFERENCE EE7308/EE7300	SIZE A	DRAWING NUMBER EE7308T
			THIRD ANGLE PROJECTION		

CERTIFICATION DATA SHEET

Model#: 254HTL5726 FH WINDING#: K2154371 NONE 1
 CONN. DIAGRAM: A-EE7308T ASSEMBLY: F1/F2 CAPABLE
 OUTLINE: B-SS330110-1475

TYPICAL MOTOR PERFORMANCE DATA

HP	KW	SYNC. RPM	F.L. RPM	FRAME	ENCLOSURE	KVA CODE	DESIGN				
15	11.2	1800	1765	254TC	TENV	K	INV				
PH	Hz	VOLTS	FL AMPS	START TYPE	DUTY	INSL	S.F	AMB°C	ELEVATION		
3	60	230/460	40/20	INVERTER ONLY	CONTINUOUS	H4	1.0	40	3300		
FULL LOAD EFF: 91.7		3/4 LOAD EFF: 91.8		1/2 LOAD EFF: 90		GTD. EFF		ELEC. TYPE		NO LOAD AMPS	
FULL LOAD PF: 76		3/4 LOAD PF: 70		1/2 LOAD PF: 56.4		91		SQ CAGE INV DUTY		22 / 11	
F.L. TORQUE		LOCKED ROTOR AMPS		L.R. TORQUE		B.D. TORQUE		F.L. RISE°C			
44.6 LB-FT		310 / 155		140 LB-FT 314		170 LB-FT 381		105			
SOUND PRESSURE @ 3 FT.	SOUND POWER	ROTOR WK^2	MAX. WK^2	SAFE STALL TIME	STARTS /HOUR	APPROX. MOTOR WGT					
62 dBA	72 dBA	1.6 LB-FT^2	0 LB-FT^2	0 SEC.	0	229 LBS.					

EQUIVALENT WYE CKT.PARAMETERS (OHMS PER PHASE)

R1	R2	X1	X2	XM
0.31374	0.31563	1.04706	1.5687	22.1508
RM	ZREF	XR	TD	TD0
2079	18.9	4	0.0115	0.2

*** SUPPLEMENTAL INFORMATION ***

DE BRACKET TYPE	ODE BRACKET TYPE	MOUNT TYPE	ORIENTATION	SEVERE DUTY	HAZARDOUS LOCATION	DRIP COVER	SCREENS	PAINT
C-FACE	BRAKE OR ENCODER	RIGID	HORIZONTAL	FALSE	NONE	FALSE	NONE	BLACK (ENAMEL)

BEARINGS		GREASE	SHAFT TYPE	SPECIAL DE	SPECIAL ODE	SHAFT MATERIAL	FRAME MATERIAL
DE	OPE	POLYREX EM	T	NONE	NONE	1045 HOT ROLLED (C-204)	ALUMINUM
BALL	BALL						
6309	6206						

THERMO-PROTECTORS				THERMISTORS	CONTROL	SPACE /n HEATERS
THERMOSTATS	PROTECTORS	WDG RTDs	BRG RTDs	NONE	FALSE	NONE VOLTS
TSTATS (N/C)	NOT	NONE	NONE			

If Inverter equals NONE, contact factory for further information

INVERTER TORQUE: CONSTANT 1000:1 INV. HP SPEED RANGE: 2.0 X BASE SPEED
ENCODER: PROVISIONS ONLY NORTHSTAR ST56 NONE NONE PPR
BRAKE: PROVISIONS ONLY NONE NONE P/N NONE

*
N
O
T
E
S
*

NONE	NONE		
NONE FT-LB	NONE V	NONE Hz	

DATE: 06/23/2017 01:53:21 AM
FORM 3531 REV.3 02/07/99
** Subject to change without notice.

Data Sheet

Date: 19-06-2017
 Customer: _____
 Attention: _____
 Submitted by: FAREEDA DUDEKULA



254THTL5726

Submittal

Data @ 460 V

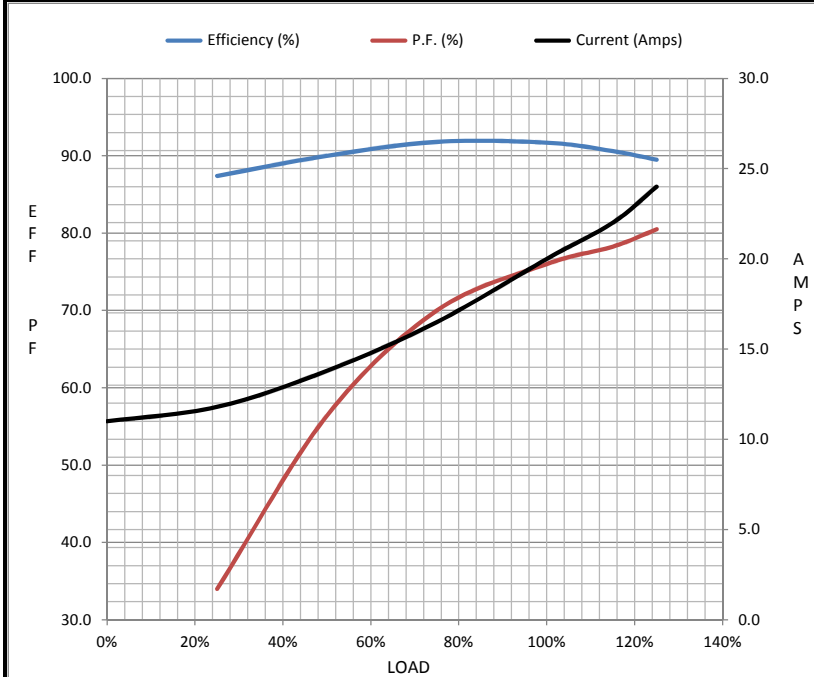
Motor Load Data

Load	0%	25%	50%	75%	100%	115%	125%	LR
Current (Amps)	11.0	11.8	13.8	16.5	20.0	22.0	24.0	155
Torque (ft-lb)	0.00	11.0	22.0	33.5	44.6	48.1	51.5	140
RPM	1800	1790	1785	1775	1765	1,761	1755	0
Efficiency (%)		87.4	90.0	91.8	91.7	90.6	89.5	
P.F. (%)	5.7	34.0	56.4	70.0	76.0	78.3	80.5	43.5

Motor Speed Data

	LR	Pull-Up	BD	Rated	Idle
Speed (RPM)	0	750	1575	1765	1800
Current (Amps)	155	140	95.0	20.0	11.0
Torque (ft-lb)	140	130	170	44.6	0.00

Information Block	
HP	15.0
Sync. RPM	1800
Frame	254
Enclosure	TENV
Construction	TTL
Voltage	230/460 V
Frequency	60 Hz
Design	A
LR Code letter	K
Service Factor	1.0
Temp Rise @ FL	105 °C
Duty	CONT
Ambient	40 °C
Elevation	1,000 feet
Rotor/Shaft wk ²	1.60 Lb-Ft ²
Ref Wdg	K2154371 NONE
Sound Pressure @ 1M	62 dBA
VFD Rating	CONSTANT 1000:1
Outline Dwg	B-SS330110-1475
Conn. Diag	A-EE7308T
Additional Specifications:	
0	
365THFS8036	
EQUIV CKT (OHMS / PHASE)	
R1	R2
0.3140	0.3160
X1	X2
1.0470	1.5690
Xm	
	22.1510



Speed - Torque Curve

