

PRODUCT INFORMATION PACKET



Model No: 193353.60
Catalog No: 193353.60
20 HP General Purpose, 3 phase, 1200 RPM, 230/460 V, 180L Frame, TEFC
Cast Iron Motors



Regal and Leeson are trademarks of Regal Rexnord Corporation or one of its affiliated companies.
©2021 Regal Rexnord Corporation, All Rights Reserved. MC017097E





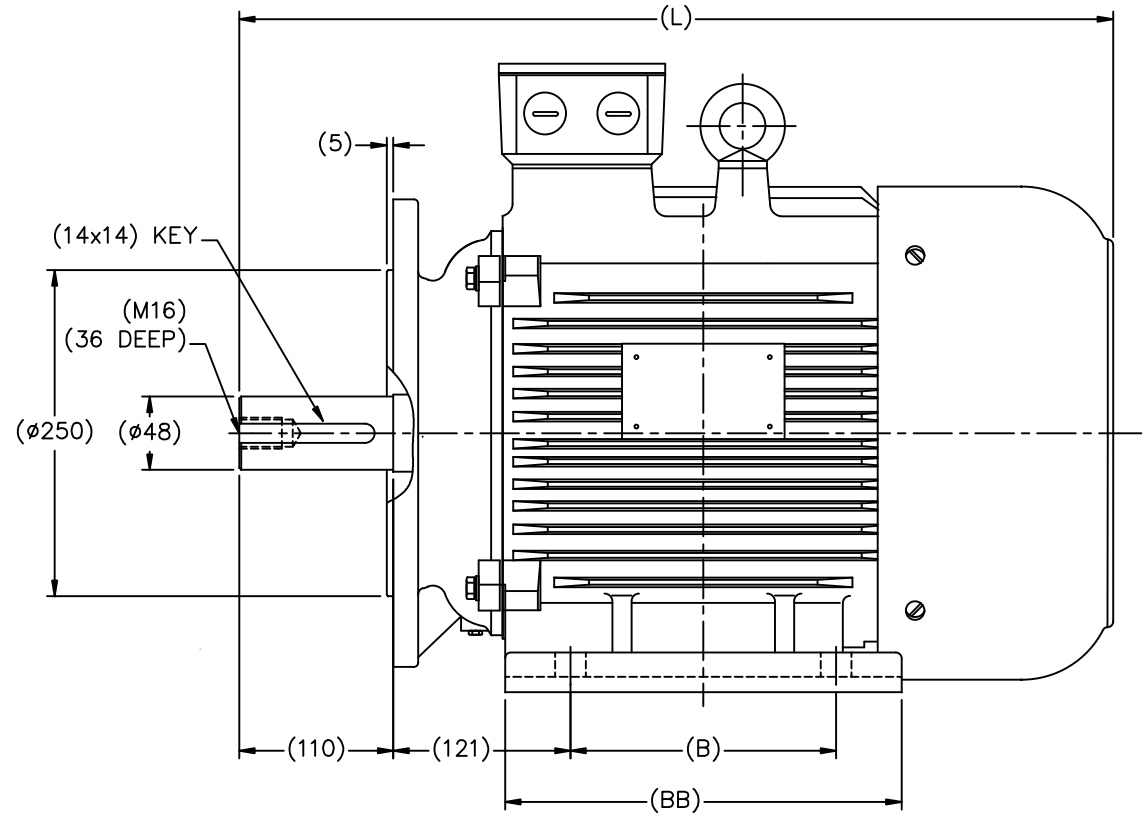
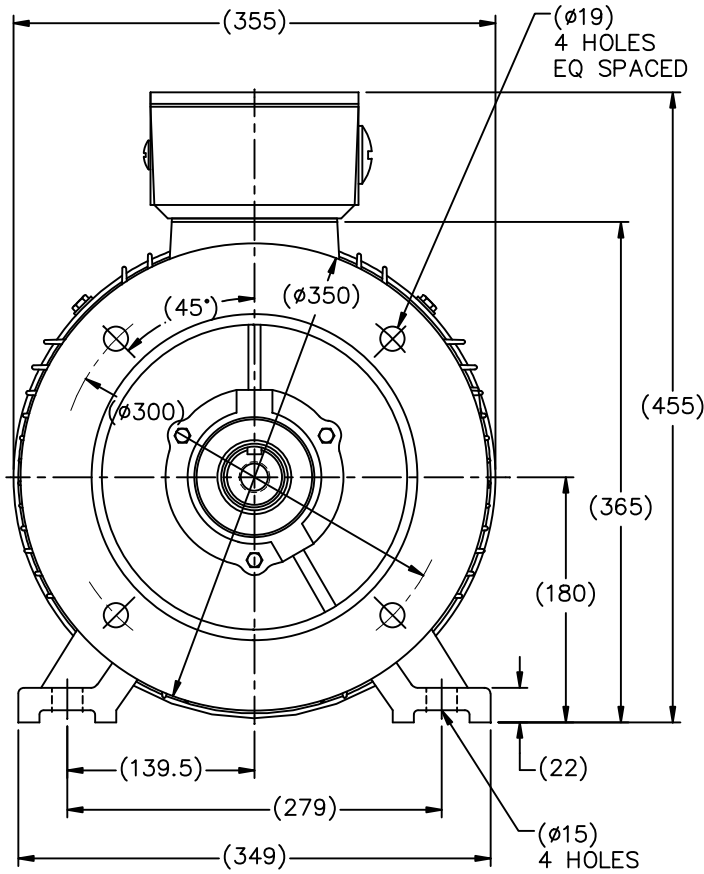
Nameplate Specifications

Output HP	20 Hp	Output KW	14.9 kW
Frequency	60 Hz	Voltage	230/460 V
Current	53.5/26.8 A	Speed	1185 rpm
Service Factor	1.15	Phase	3
Efficiency	92.4 %	Power Factor	75
Duty	Continuous	Insulation Class	F
Design Code	B	KVA Code	G
Frame	180L	Enclosure	Totally Enclosed Fan Cooled
Thermal Protection	No	Ambient Temperature	40 °C
Drive End Bearing Size	6311	Opp Drive End Bearing Size	6311
UL	Recognized	CSA	Y
CE	Y	IP Code	55
Number of Speeds	1		

Technical Specifications

Electrical Type	Squirrel Cage Inverter Rated	Starting Method	Wye Start Delta Run Or Inverter
Poles	6	Rotation	Reversible
Mounting	Rigid Base	Motor Orientation	Horizontal
Drive End Bearing	Ball	Opp Drive End Bearing	Ball
Frame Material	Cast Iron	Shaft Type	IEC
Overall Length	26.77 in	Shaft Diameter	1.875 in
Shaft Extension	4.33 in	Assembly/Box Mounting	F3
Inverter Load	CONSTANT 10:1		
Outline Drawing	B-SS622264	Connection Drawing	004172.01

This is an uncontrolled document once printed or downloaded and is subject to change without notice. Date Created:10/07/2021



Cat.No	FRAME	B	BB	L
193356.60	DF180MD-2R	241	311	680
193355.60	DF180MD-4R	241	311	680
193357.60	DF180LD-4R	279	349	718
193353.60	DF180LD-6R	279	349	718

(MAY NOT BE DRAWN TO SCALE)

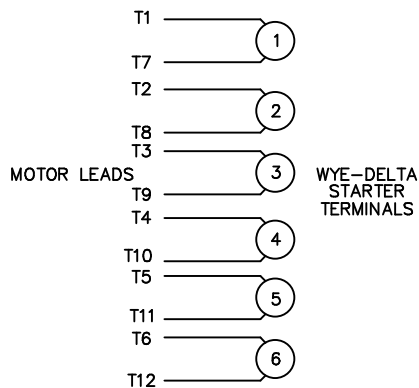
(DIMENSIONS ARE IN MILLIMETERS)

NO.		REVISION	BY & DATE	CHK	ANG	FINISH	TOLERANCES UNLESS SPECIFIED		 TITLE OUTLINE DF180MD,LD-2,4,6R	DRAWN HLB 12-07-2010					
							DEC.	METRIC		CHK	DJK 12-17-2010				
							.X	±2.5			APPD	SB 12-18-2010			
							.XX	±.76			SCALE	1=18			
							.XXX	±.127			REF				
							.XXXX	±.0127		FMF	HEBEI				
THIS DRAWING IN DESIGN AND DETAIL IS OUR PROPERTY AND MUST NOT BE USED EXCEPT IN CONNECTION WITH OUR WORK ALL RIGHTS OF DESIGN AND INVENTION ARE RESERVED THIS IS AN ELECTRONICALLY GENERATED DOCUMENT - DO NOT SCALE THIS PRINT							RFP	12-22-2010	CAD FILE	SS622264	SIZE	DRAWING NO.	PAGE	OF	REV.
							DIST				B	SS622264			

WYE - DELTA STARTING USEABLE ON 2,4 AND 6 POLE MOTORS.

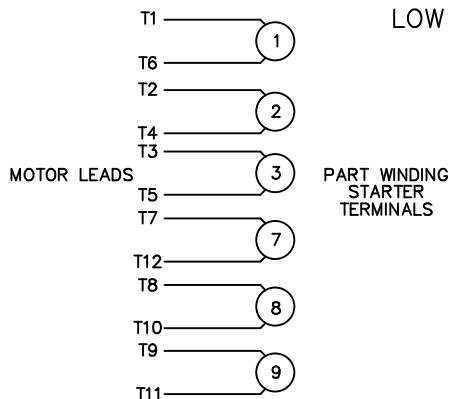
LOW VOLTAGE CONNECTION

HIGH VOLTAGE CONNECTION



REFER TO THE WYE-DELTA STARTER CONNECTION INSTRUCTIONS FOR PROPER CONNECTION OF POWER LINES TO STARTER.

PART WINDING START USABLE ON 4 & 6 POLE MOTORS
LOW VOLTAGE CONNECTION ONLY



REFER TO THE PART WINDING STARTER INSTRUCTIONS FOR PROPER CONNECTION OF POWER LINES TO STARTER.

REFER TO THE CUTLER - HAMMER OR EQUIV. FOR PROPER SELECTION OF OVERLOAD HEATER COILS.



ACROSS THE LINE START & RUN				
	LINE 1	LINE 2	LINE 3	JOIN & INSULATE SEPARATELY
HIGH VOLT	T1, T12	T2, T10	T3, T11	(T4, T7) (T5, T8) (T6, T9)
LOW VOLT	T1, T6 T7, T12	T2, T4 T8, T10	T3, T5 T9, T11	

				TOLERANCES UNLESS SPECIFIED		ELECTRIC MOTORS GEARMOTORS AND DRIVES	DRAWN WLW 09/08/77		
				DEC.	INCHES		CHK RPB 09/12/77		
				.X	±.1		APPD JCW 09/12/77		
03	REV'D LOW VOLTAGE CONN. LEADS PER ELEC.	BJB 06/07/00	.XX	±.01	TITLE	DELTA - WYE CONNECTION DIAGRAM	SCALE	1=1	
02	ADDED T-STAT. NOTES PER ELECTRICAL	KMM 06/02/98	.XXX	±.005			REF		
01	REDRAWN TO CAD	DBT 06/02/97	.XXXX	±.0005	MAT'L.		FMF		
NO.	REVISION	BY & DATE	CHK	ANG	±1/2"	FINISH	PREV		
THIS DRAWING IN DESIGN AND DETAIL IS OUR PROPERTY AND MUST NOT BE USED EXCEPT IN CONNECTION WITH OUR WORK ALL RIGHTS OF DESIGN AND INVENTION ARE RESERVED THIS IS AN ELECTRONICALLY GENERATED DOCUMENT - DO NOT SCALE THIS PRINT				RFP	CAD FILE	00417201	SIZE	DRAWING NO.	REV.
				DIST			A	004172-01	03



CERTIFICATION DATA SHEET

**1051 CHEYENNE AVE.
GRAFTON, WI 53024
PH. 262-377-8810**

CONN. DIAGRAM: 004172.01

CATALOG #: 193353.60

OUTLINE: B-SS622264

MOUNTING: F3

WINDING #: T14506013 FR 3

TYPICAL MOTOR PERFORMANCE DATA

HP	kW	SYNC. RPM	F.L. RPM	FRAME	ENCLOSURE	KVA CODE	DESIGN
20&15	14.9&11.2	1200	1185&985	180L	TEFC	G	B

PH	Hz	VOLTS	AMPS	START TYPE	DUTY	INSL	S.F.	AMB°C
3	60/50	230/460&200/400	53.5/26.8&50/25	Y START D RUN OR INV	CONTINUOUS	F5	1.15/1.15	40

FULL LOAD EFF:	92.4&91	3/4 LOAD EFF:	92.4	1/2 LOAD EFF:	91	GTD. EFF		ELEC. TYPE	
FULL LOAD PF:	75&69	3/4 LOAD PF:	70	1/2 LOAD PF:	59.2	91		SQ CAGE INV RATED	

F.L. TORQUE	LOCKED ROTOR AMPS	L.R. TORQUE	B.D. TORQUE	F.L. RISE°C
88 LB-FT	290 / 145	142 LB-FT 160 %	230 LB-FT 260 %	50

SOUND PRESSURE @ 3 FT.	SOUND POWER	ROTOR WK^2	MAX. WK^2	SAFE STALL TIME	STARTS / HOUR	APPROX. MOTOR WGT
55.5 dBA	65.5 dBA	6.64 LB-FT^2	6.6 LB-FT^2	15 SEC.	2	400 LBS.

***** SUPPLEMENTAL INFORMATION *****

DE BRACKET TYPE	ODE BRACKET TYPE	MOUNT TYPE	ORIENTATION	SEVERE DUTY	HAZARDOUS LOCATION	DRIP COVER	SCREENS	PAINT
FF-FLANGE-300	STANDARD	RIGID	HORIZONTAL	PREMIUM SEVERE DUTY	NONE	FALSE	NONE	BLUE (ENAMEL)

BEARINGS		GREASE	SHAFT TYPE	SPECIAL DE	SPECIAL ODE	SHAFT MATERIAL	FRAME MATERIAL
DE	ODE						
BALL	BALL	POLYREX EM	STANDARD IEC	NONE	NONE	AISI 1045 (C-240)	CAST IRON
6311	6311						

THERMO-PROTECTORS				THERMISTORS	CONTROL	SPACE HEATERS
THERMOSTATS	PROTECTORS	WDG RTDs	BRG RTDs			
NONE	NOT	NONE	NONE	NONE	FALSE	NONE VOLTS

*
N
O
T
E

INVERTER TORQUE: CONSTANT 10:1
INV. HP SPEED RANGE: NONE
ENCODER: NONE
NONE NONE
NONE NONE PPR
BRAKE: NONE NONE
NONE P/N NONE
NONE NONE
NONE FT-LB NONE V NO BRAKE Hz

Data Sheet

Date: 1/31/2018

193353.60



Data @ **460 V**

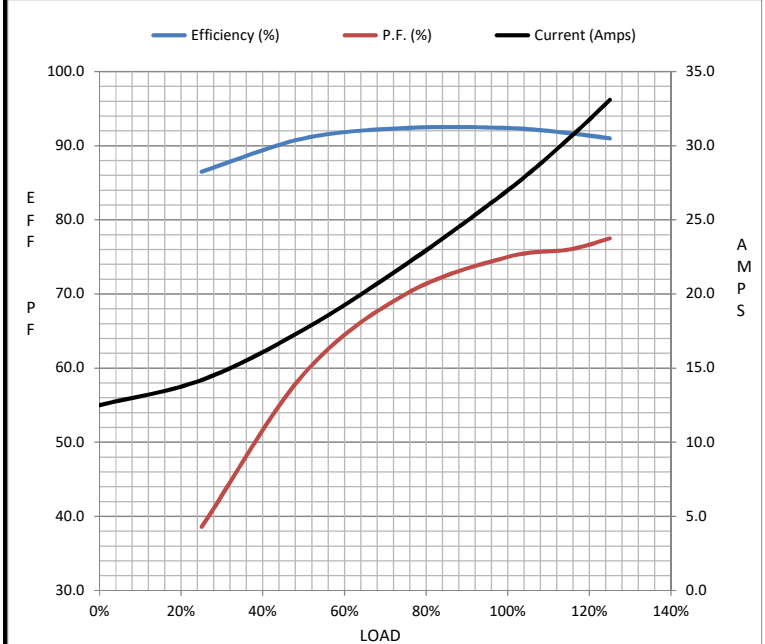
Motor Load Data

Load	0%	25%	50%	75%	100%	115%	125%	LR
Current (Amps)	12.5	14.2	17.6	22.0	27.0	30.5	33.1	145
Torque (ft-lb)	0.00	22.0	45.0	67.0	88.0	103	112	142
RPM	1200	1197	1192	1190	1185	1,180	1180	0
Efficiency (%)		86.5	91.0	92.4	92.4	91.7	91.0	
P.F. (%)	5.1	38.6	59.2	70.0	75.0	76.0	77.5	0.0

Motor Speed Data

	LR	Pull-Up	BD	Rated	Idle
Speed (RPM)	0	850	1110	1185	1200
Current (Amps)	145	135	99.0	27.0	12.5
Torque (ft-lb)	142	123	230	88.0	0.00

Information Block				
HP	20.0			
Sync. RPM	1200			
Frame	286			
Enclosure	TEFC			
Construction	TFC			
Voltage	230/460#200/400 V			
Frequency	60 Hz			
Design	B			
LR Code letter	G			
Service Factor	1.15			
Temp Rise @ FL	55 °C			
Duty	CONT			
Ambient	40 °C			
Elevation	1,000 feet			
Rotor/Shaft wk ²	6.6 Lb-Ft ²			
Ref Wdg	T14506013 FR			
Sound Pressure @ 1M	56 dBA			
VFD Rating	CONSTANT 10:1			
Outline Dwg	B-SS622264			
Conn. Diag	004172.01			
Additional Specifications:				
0				
0				
EQUIV CKT (OHMS / PHASE)				
R1	R2	X1	X2	Xm
0.0000	0.0000	0.0000	0.0000	0.0000



Speed - Torque Curve

